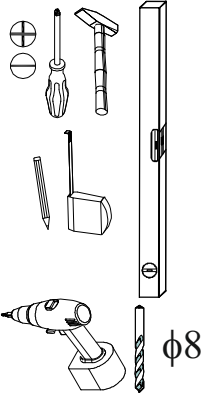
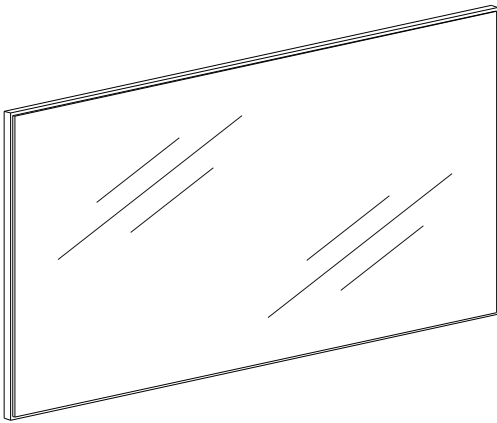
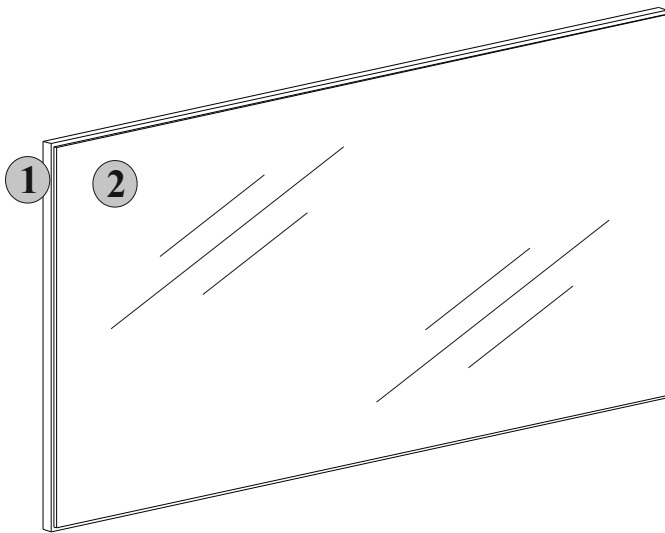
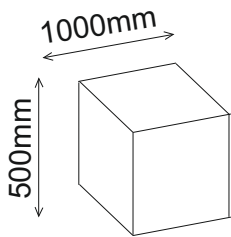

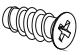


# Mirror

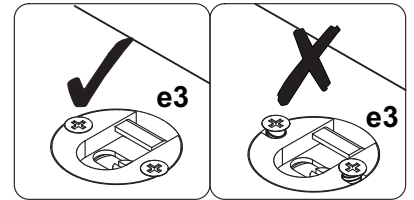
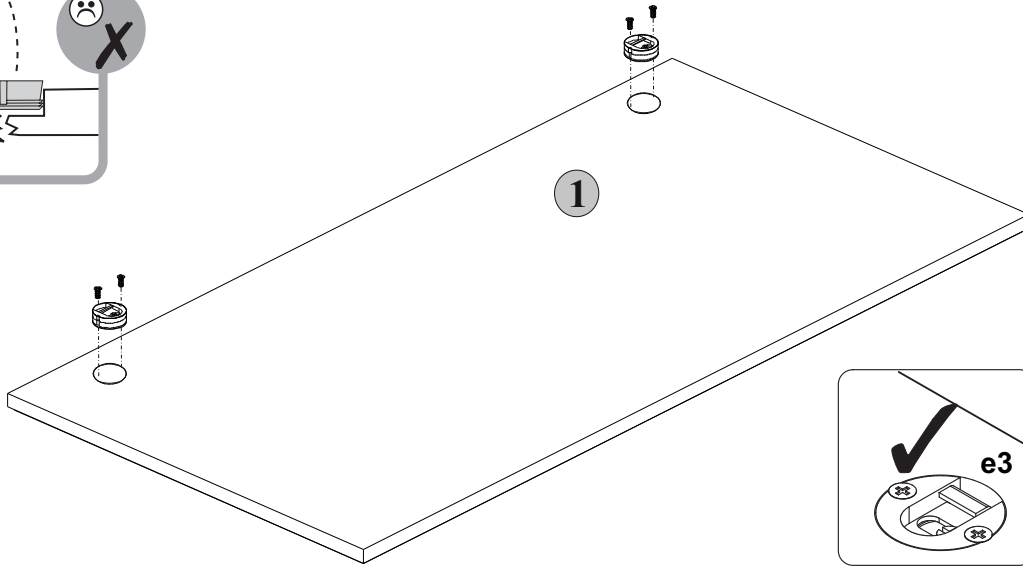
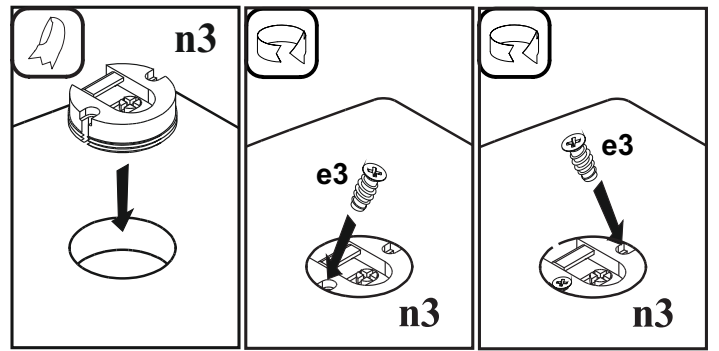
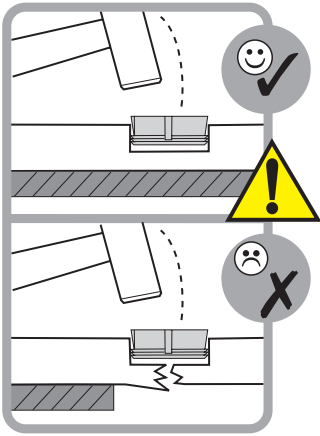


number	Measurements	Pcs.
1	1000x500	1
2	990x490	1

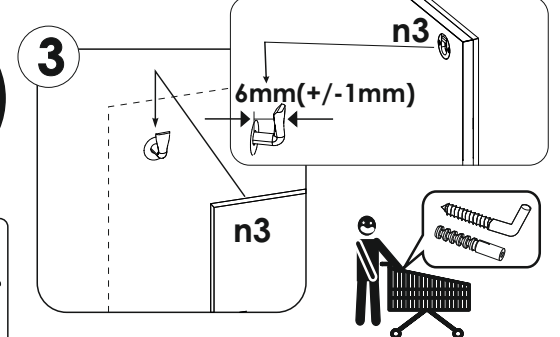
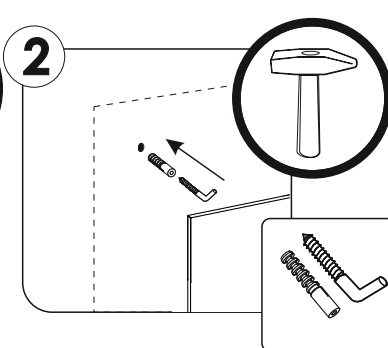
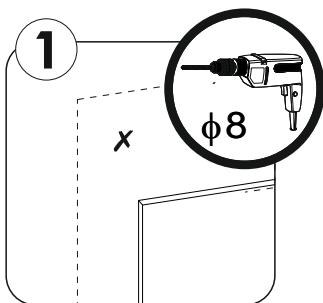
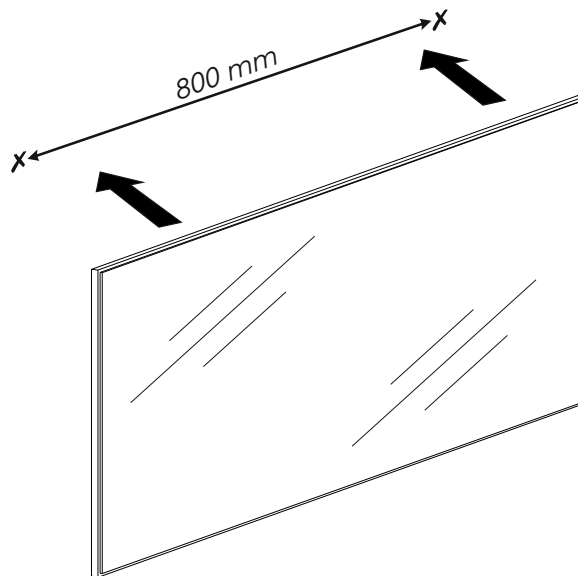
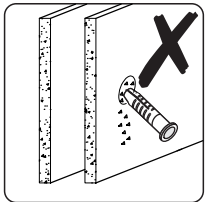
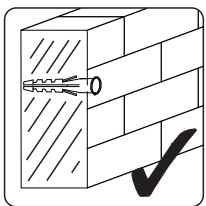
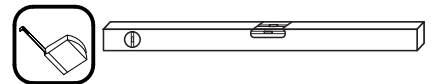


2x		n3
4x		e3 φ5x10.5 mm

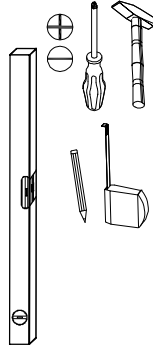
# 1



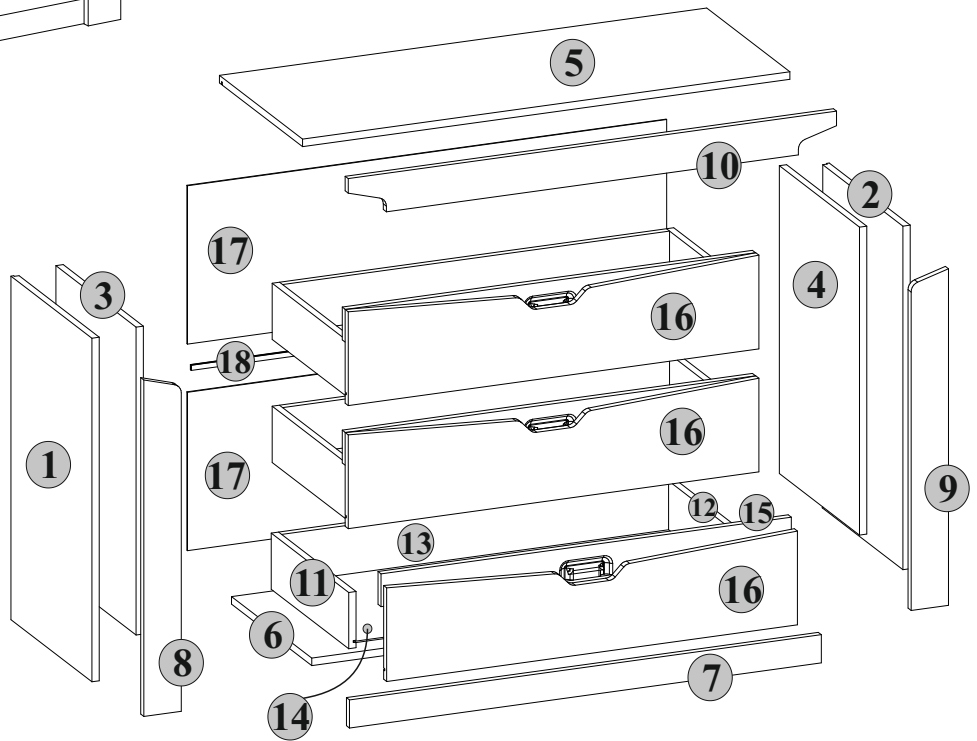
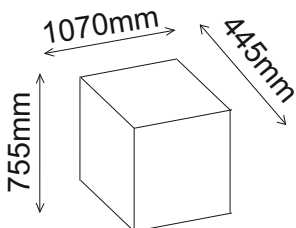
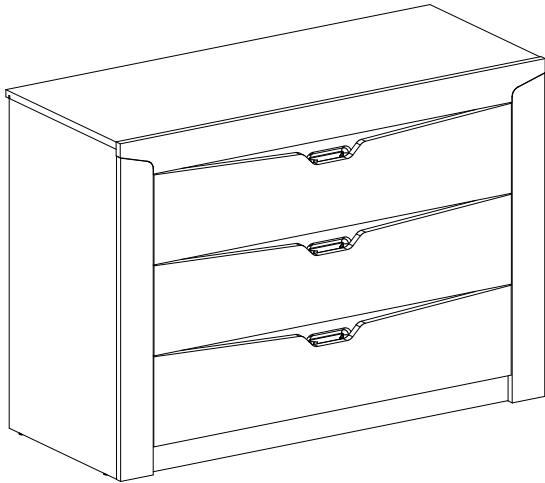
# 2



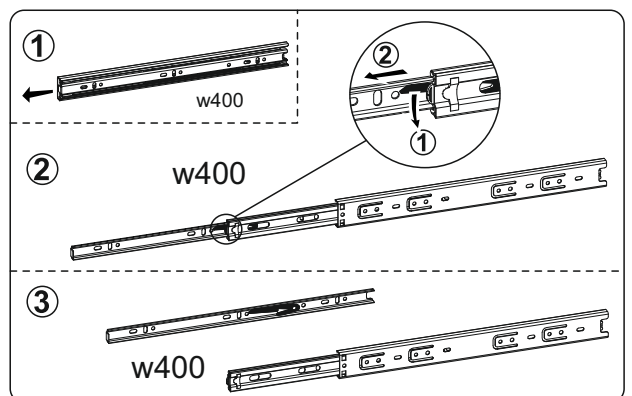
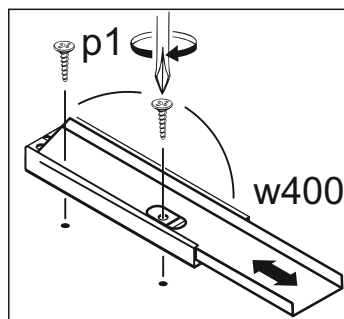
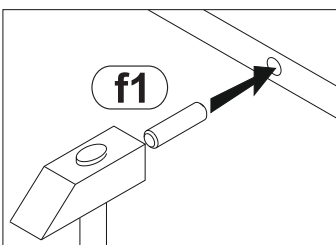
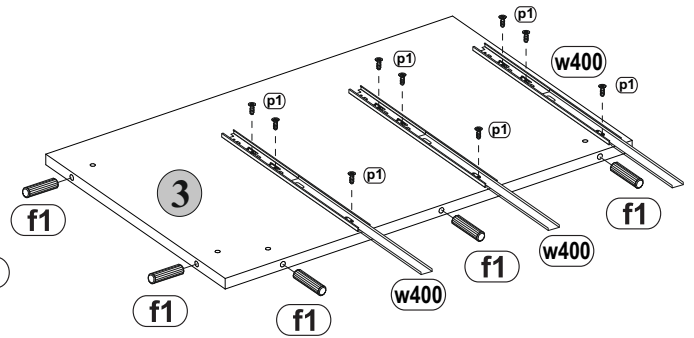
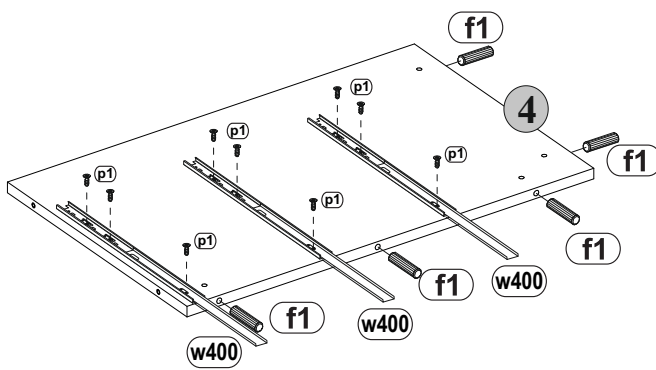
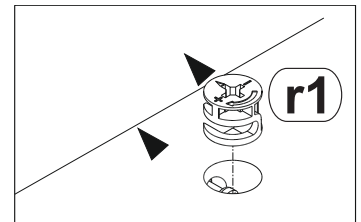
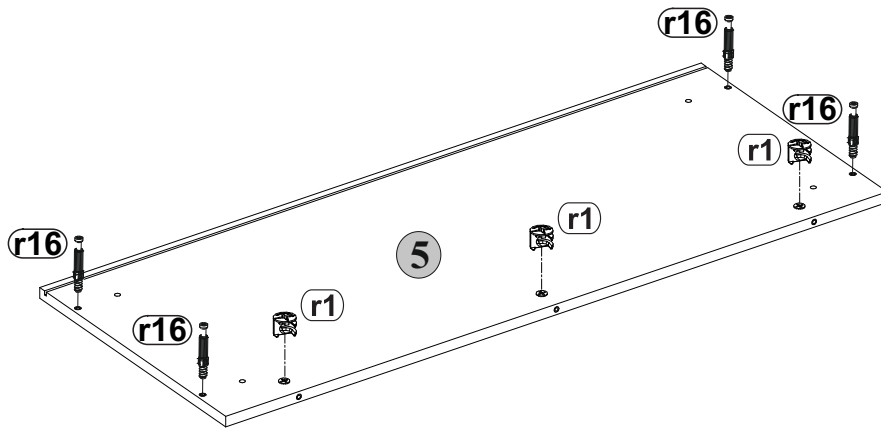
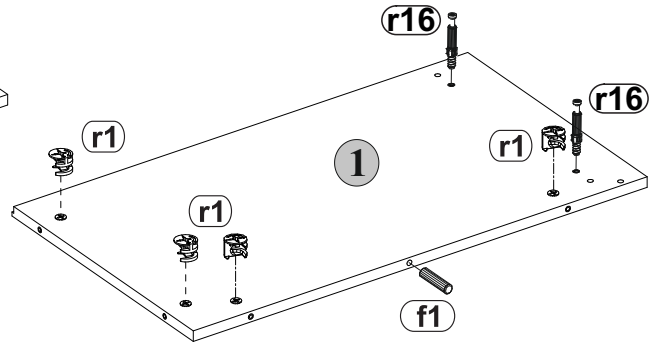
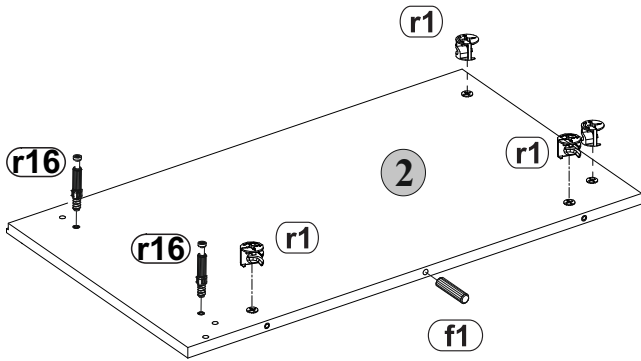
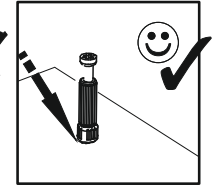
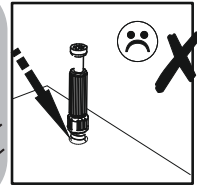
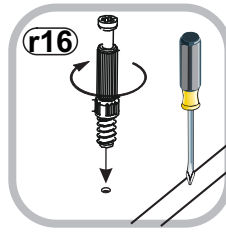
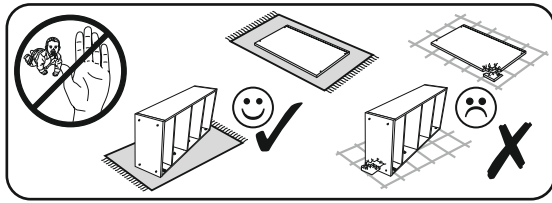
# Chest of 3Drw



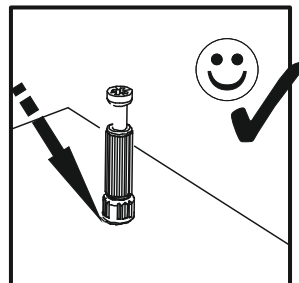
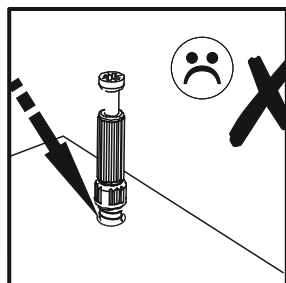
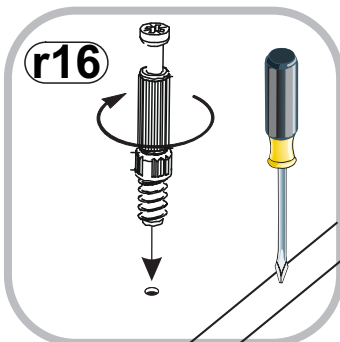
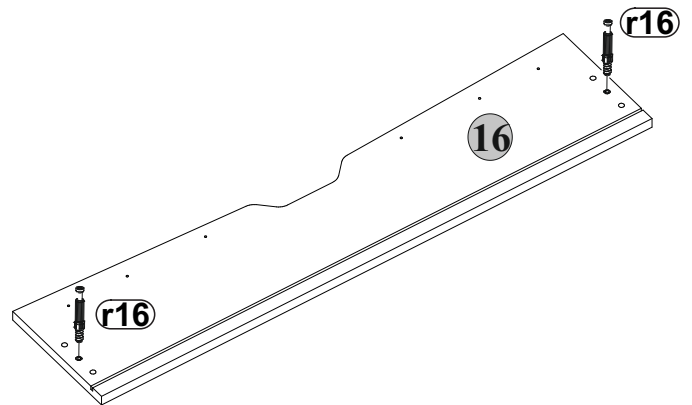
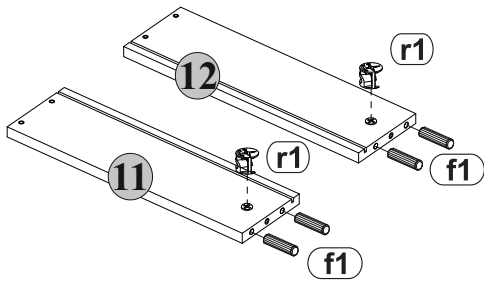
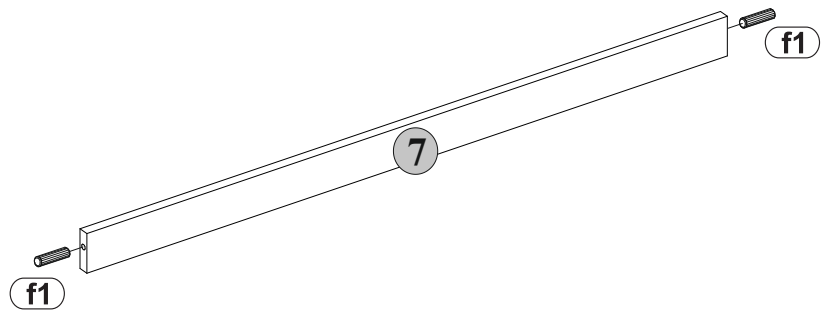
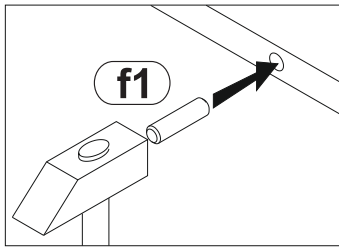
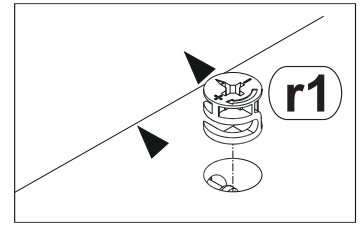
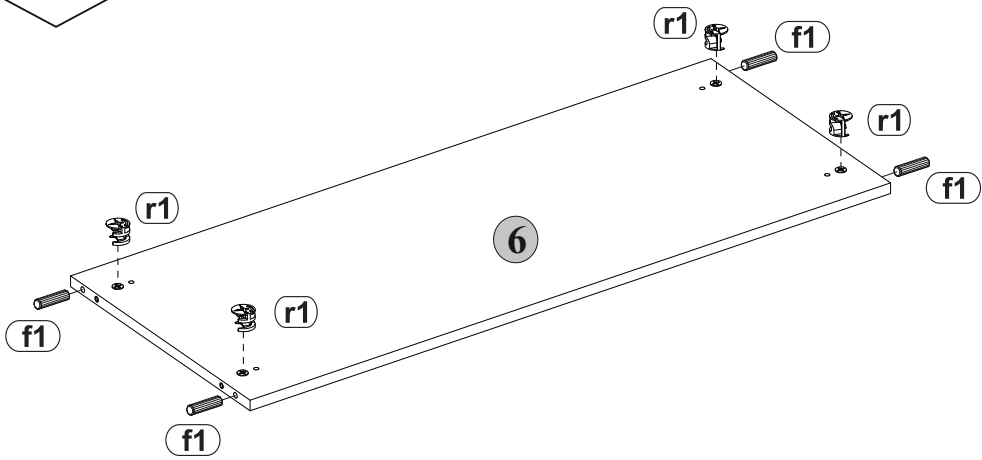
number	Measurements	Pcs.	12	400x120	3
1	733x418	1	13	848x104	3
2	733x418	1	14	856x404	3
3	657x414	1	15	70x899	3
4	657x414	1	16	900x200	3
5	1068x429	1	17	1050x338	2
6	1034x414	1	18	1034x	1
7	1034x60	1			
8	718x82	1			
9	718x82	1			
10	1070x82	1			
11	400x120	3			



2x  d6	21x  r16	21x  φ15 #16 r1	21x  s2	3x  t16	1x  n14
3x  w400	18x  p9	4x  k1	22x  d6	60x  l1	48x  φ3.5x13 mm p1
1x  z1	32x  φ8x30 mm f1	16x  7x50 e1	16x  s1		

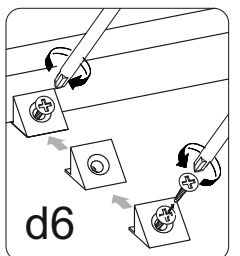
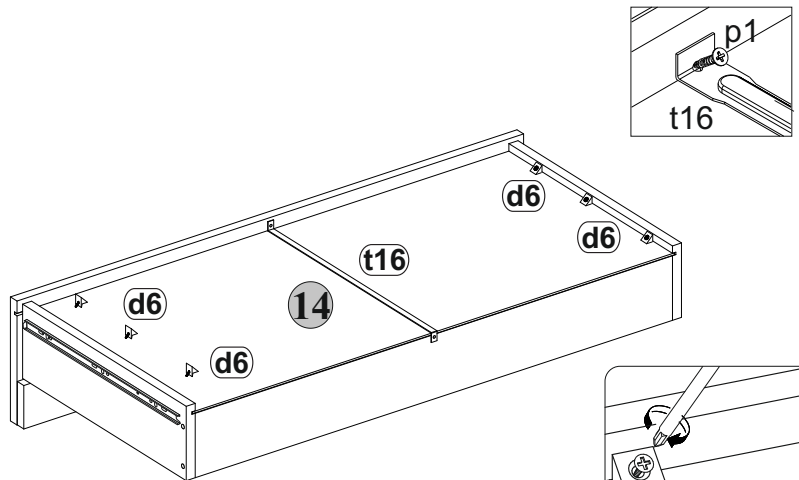
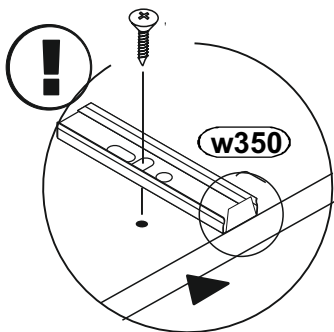
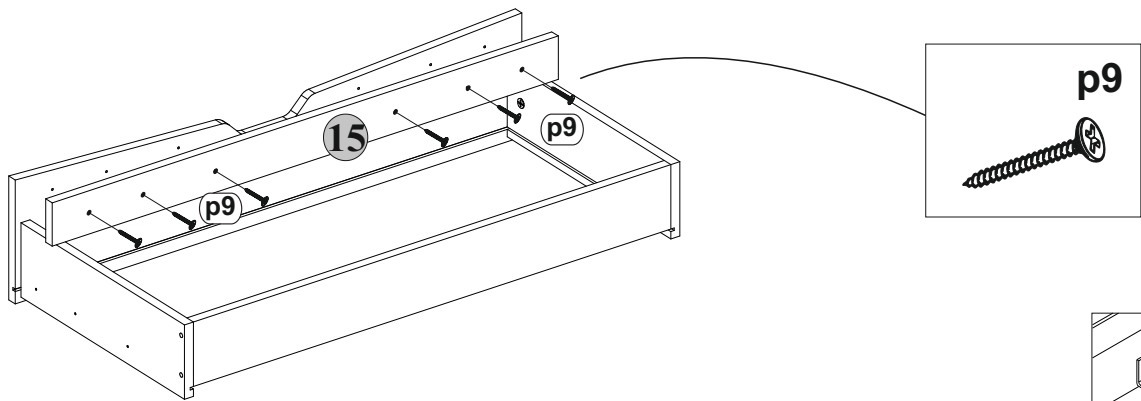
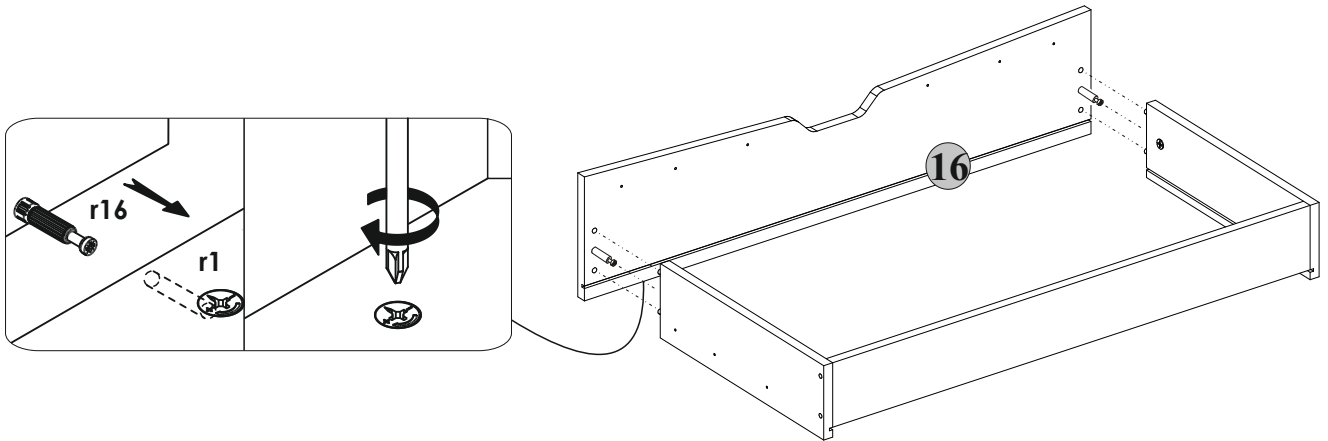
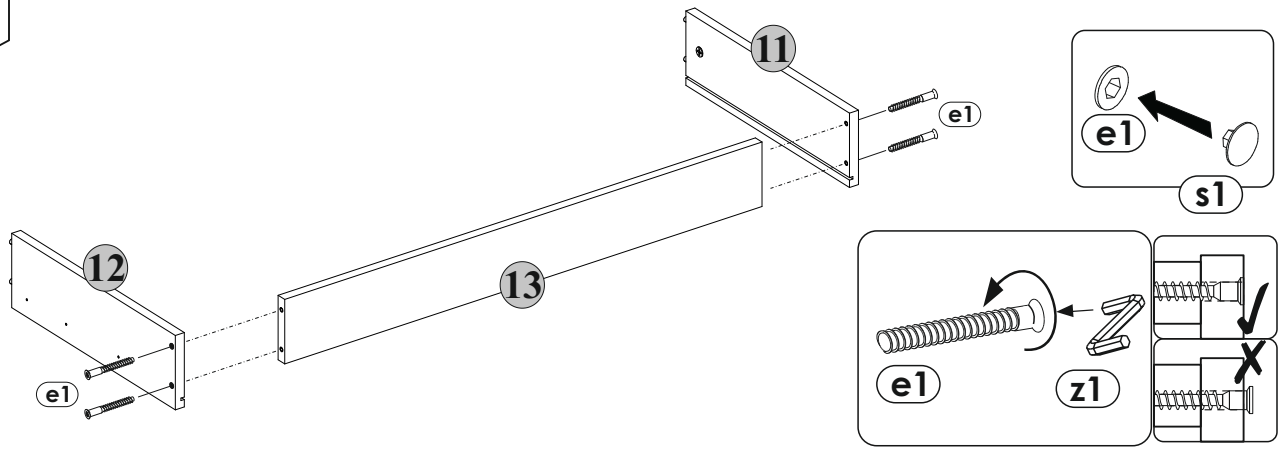


**2**



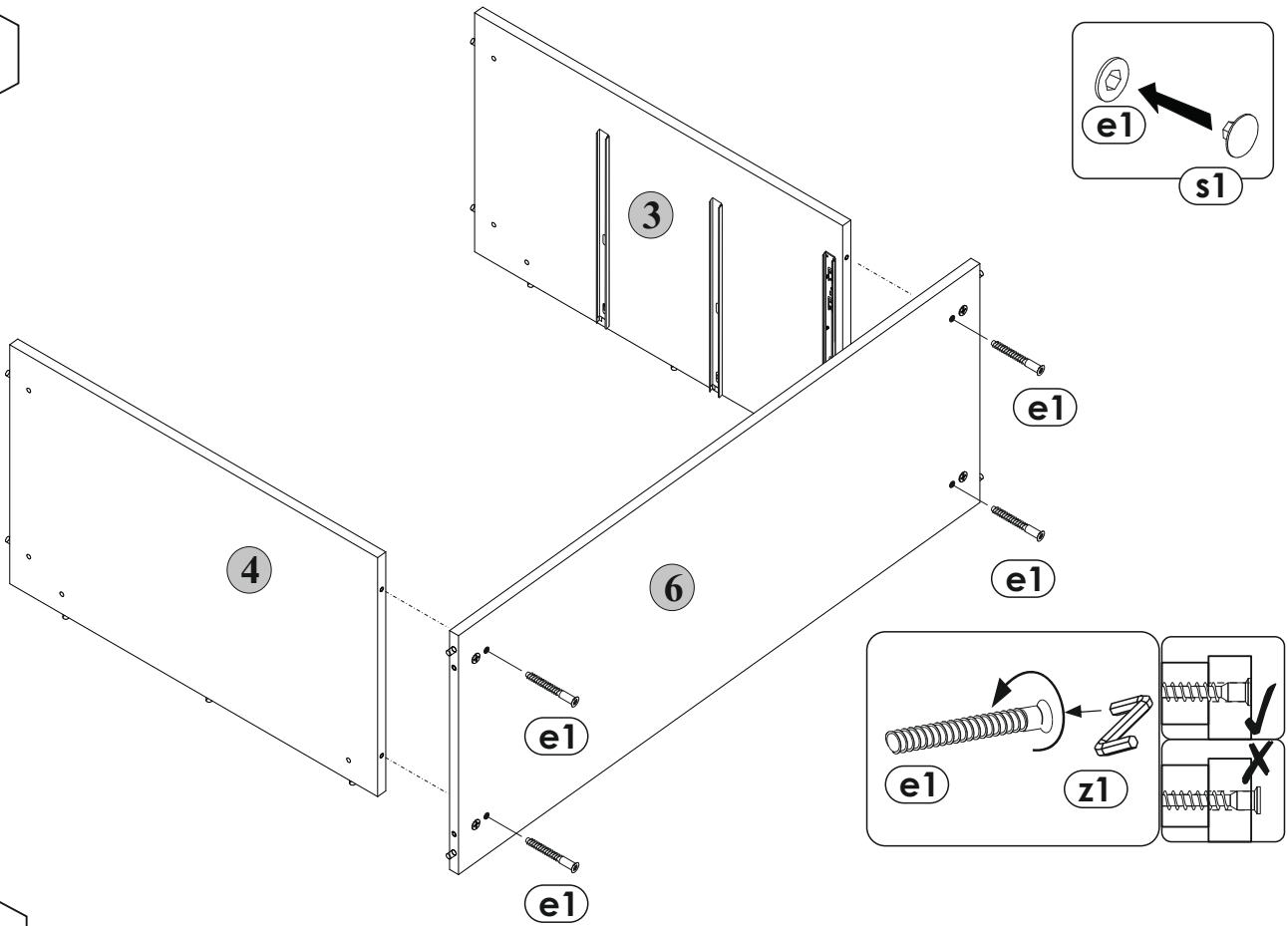
**3**

3

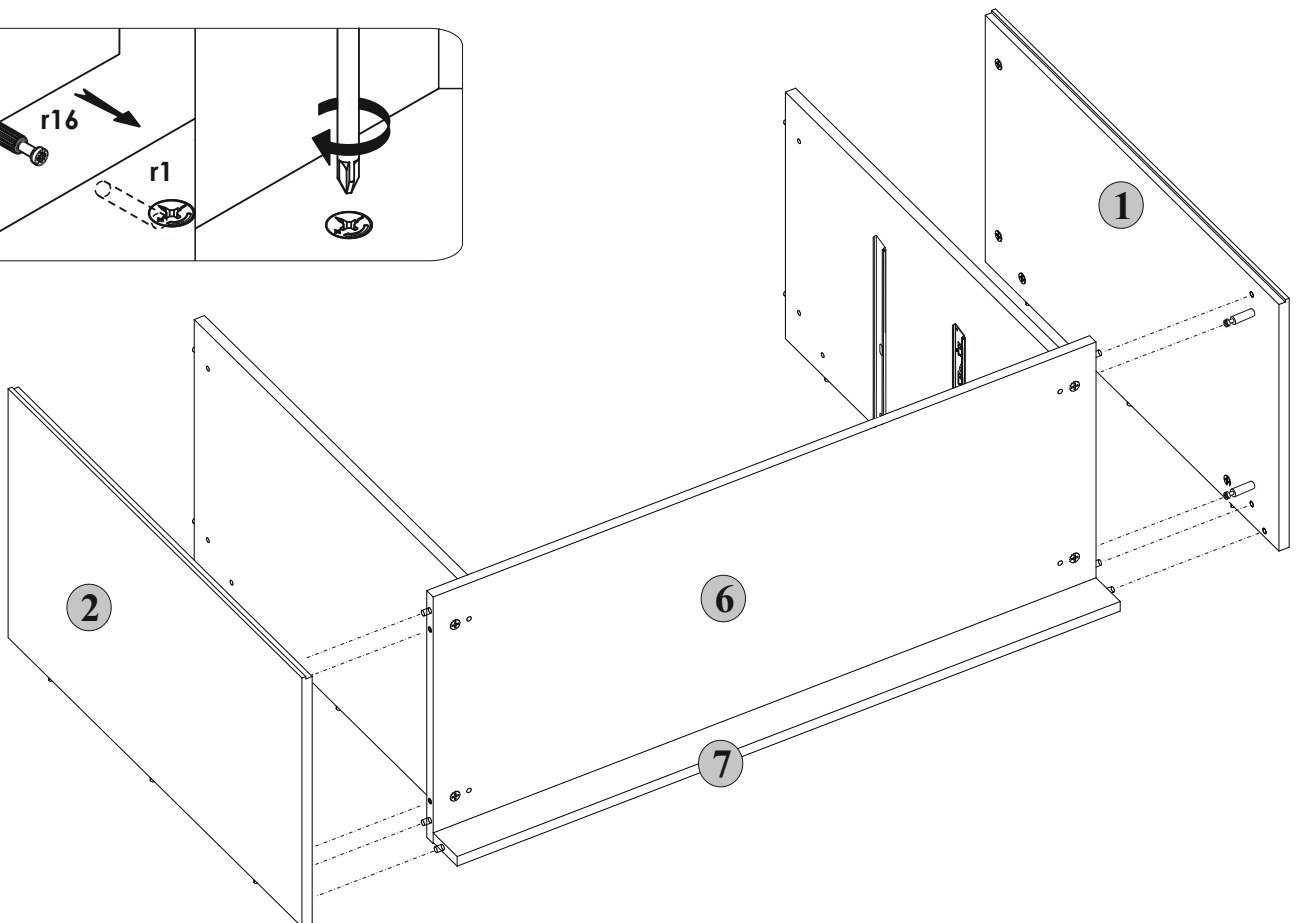
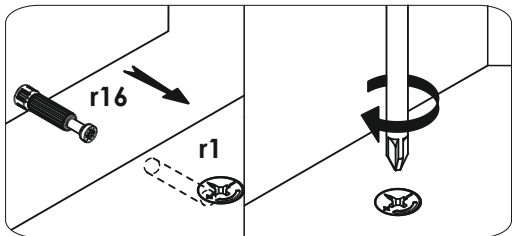


4

4

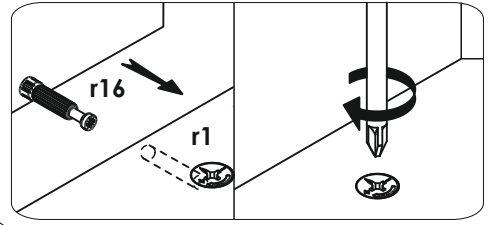
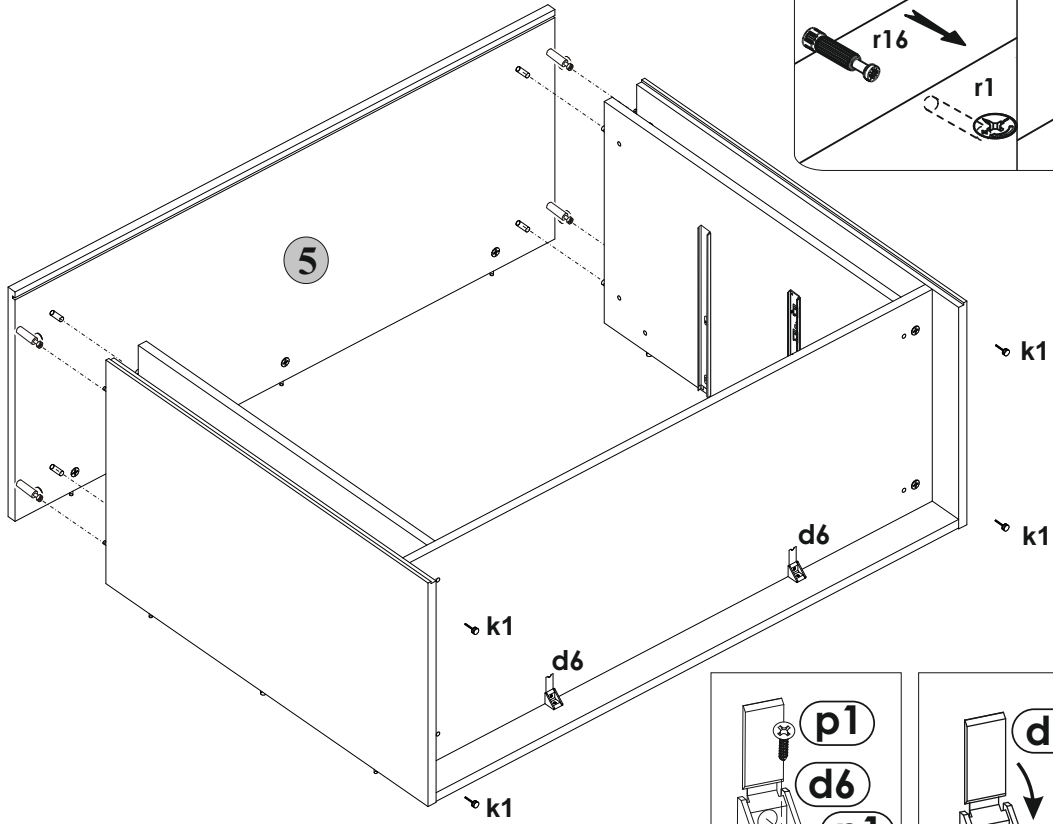


5

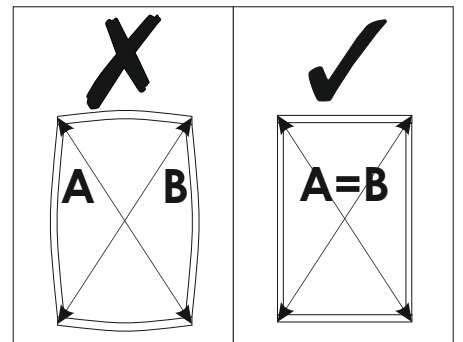
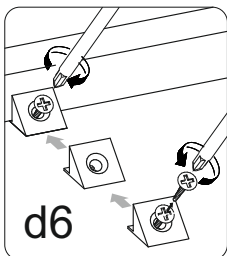
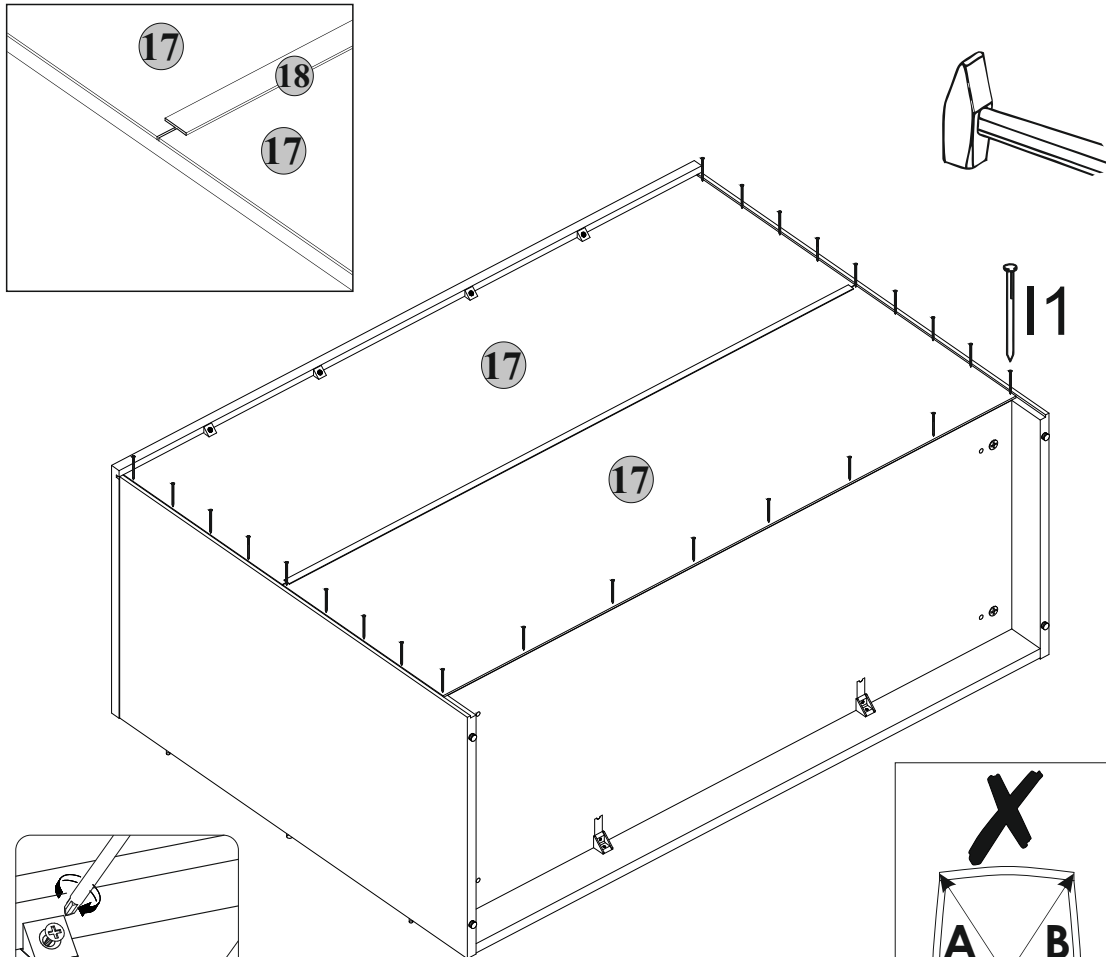
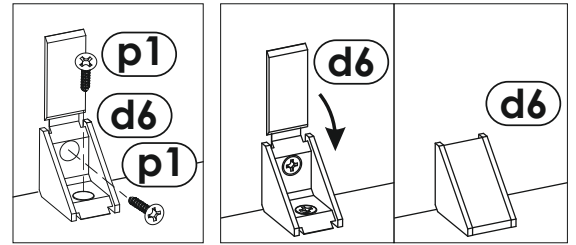
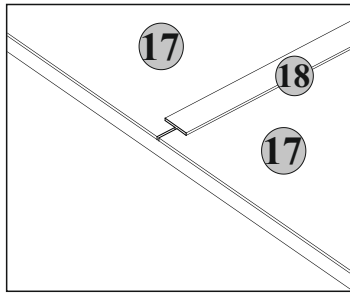


5

6



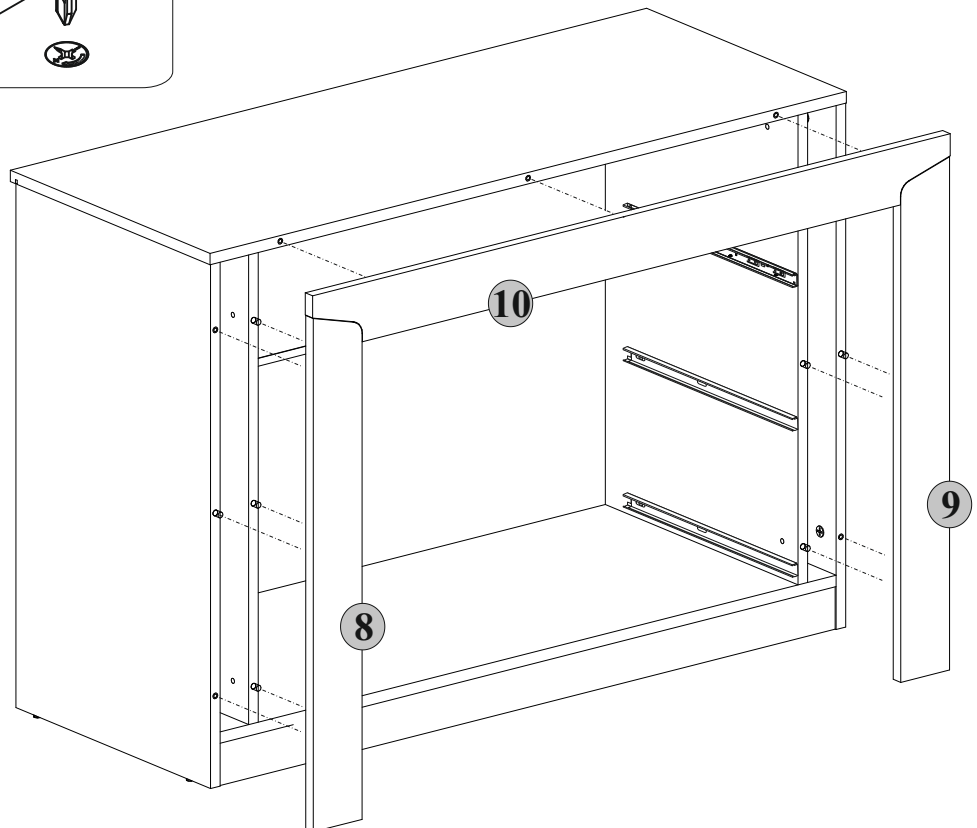
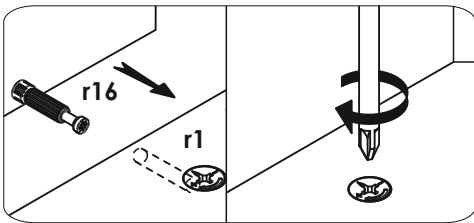
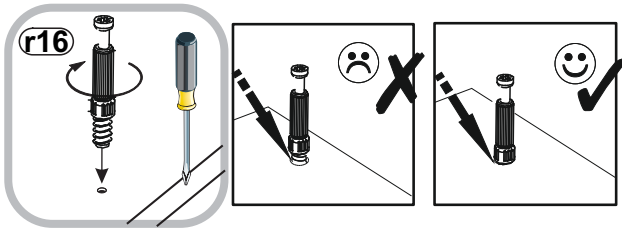
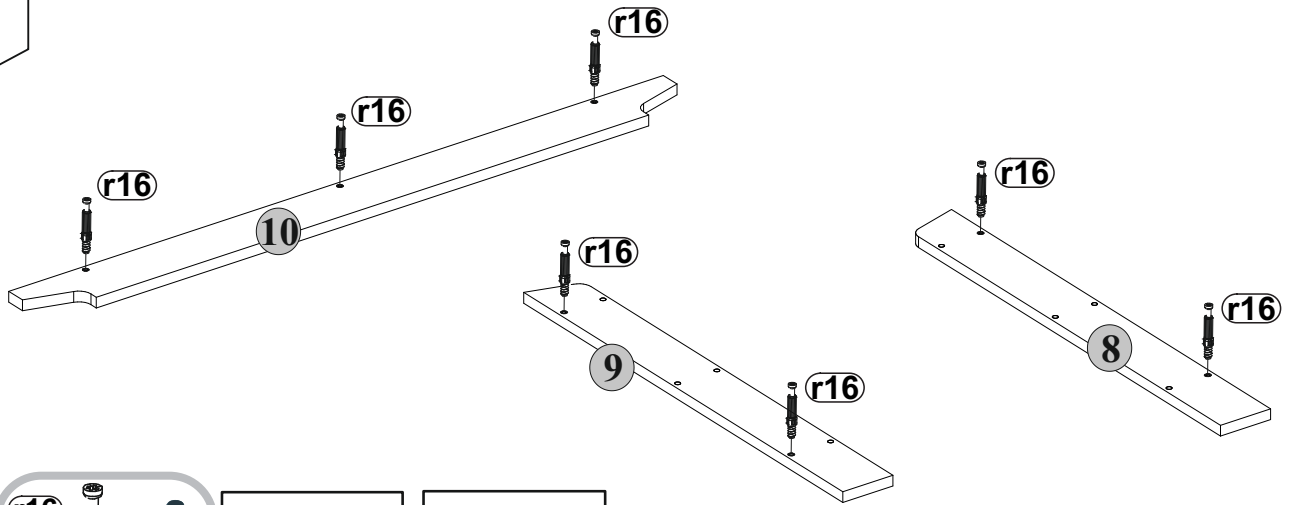
7



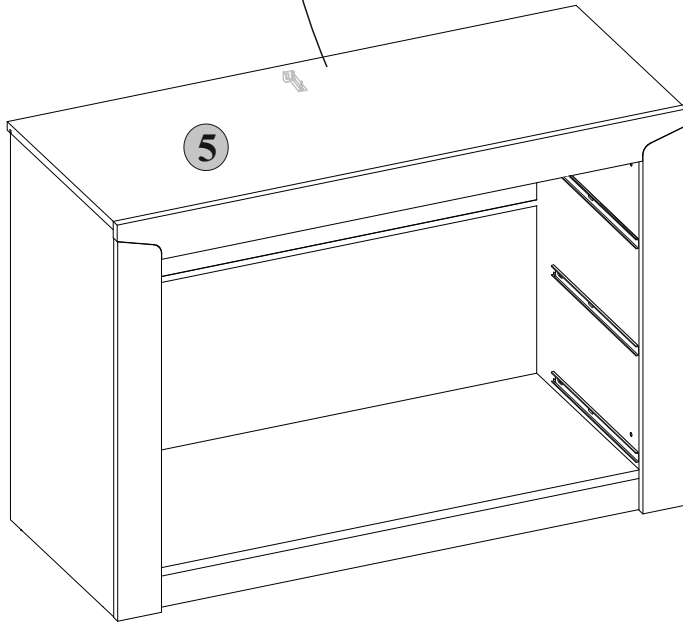
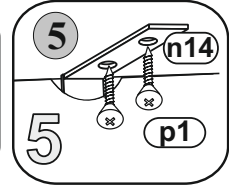
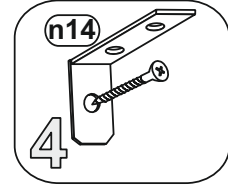
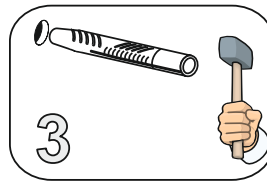
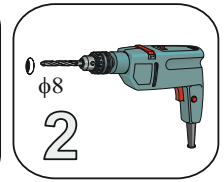
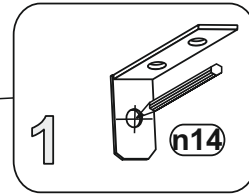
6



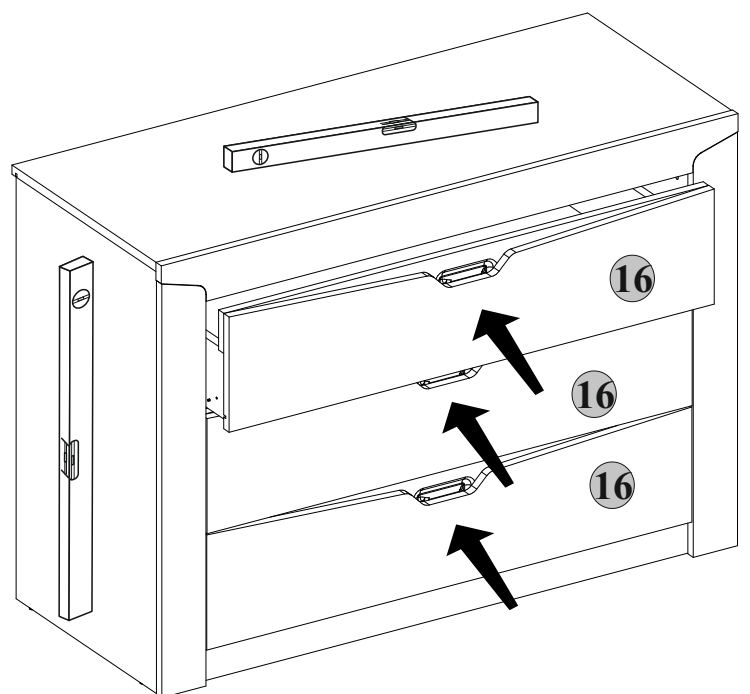
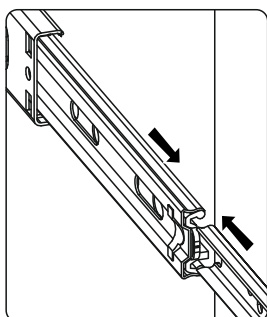
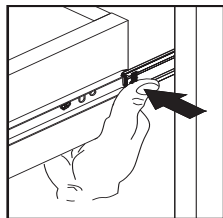
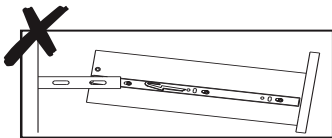
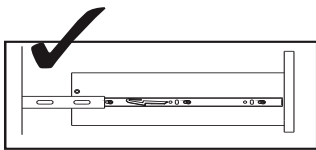
# 8



9



10



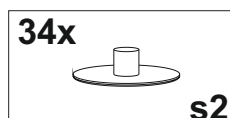
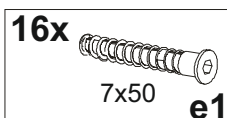
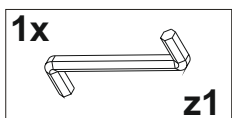
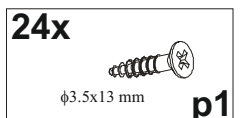
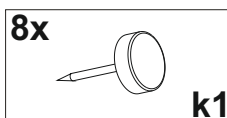
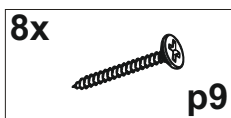
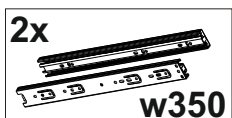
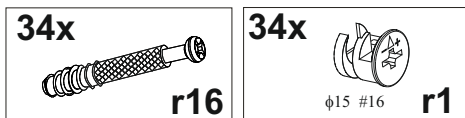
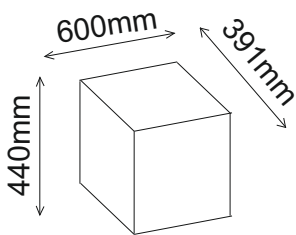
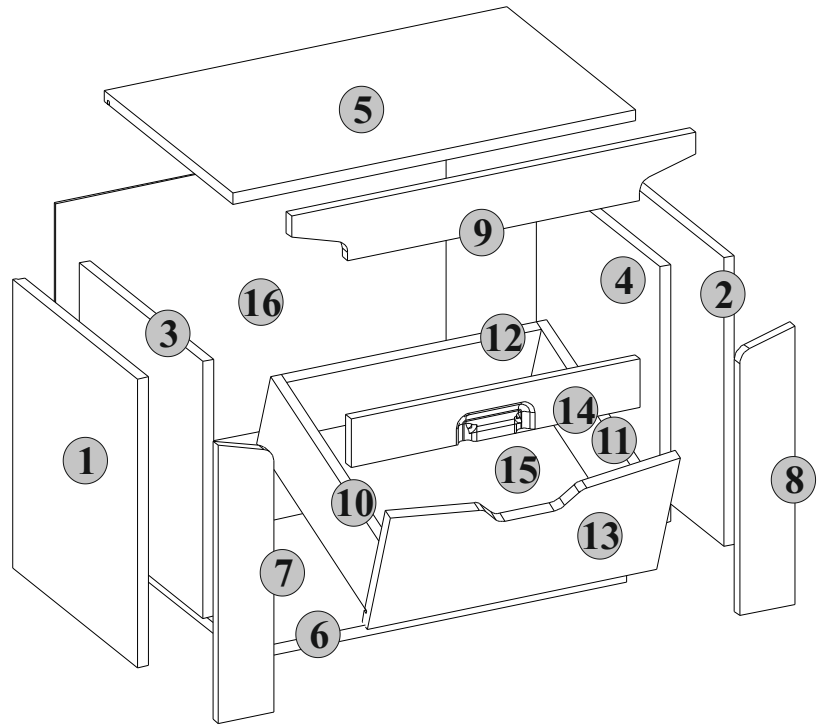
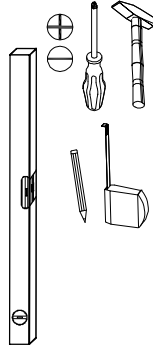
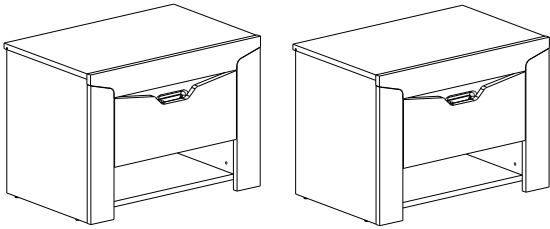
8

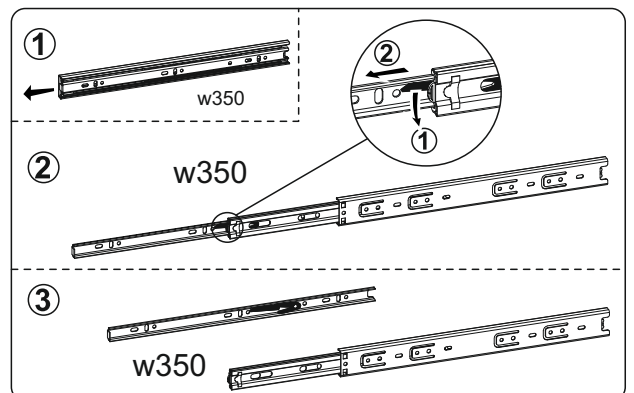
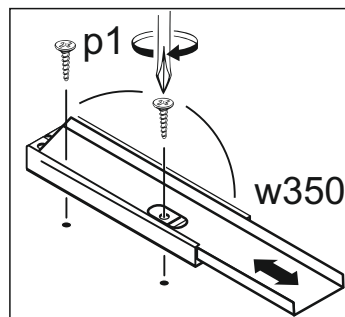
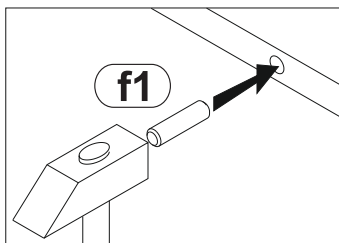
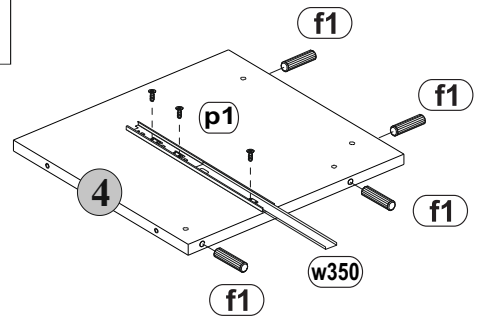
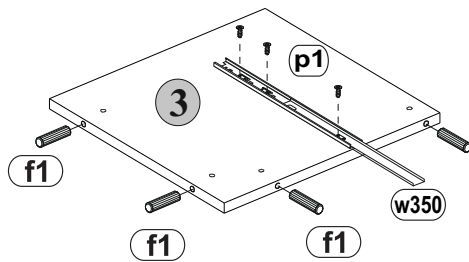
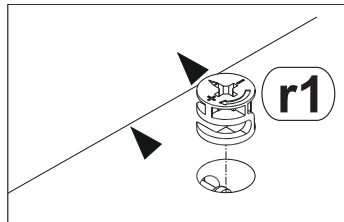
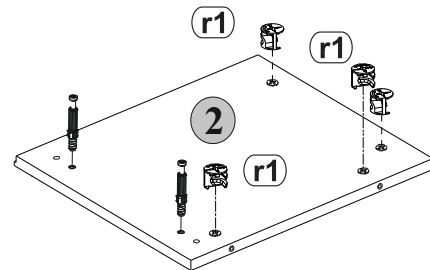
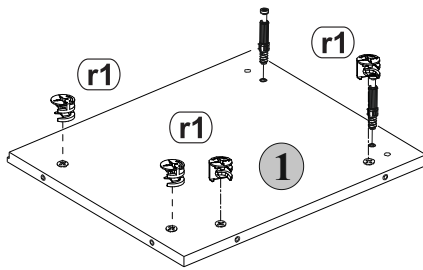
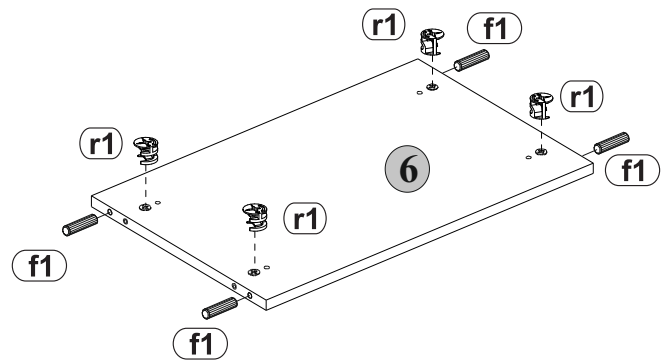
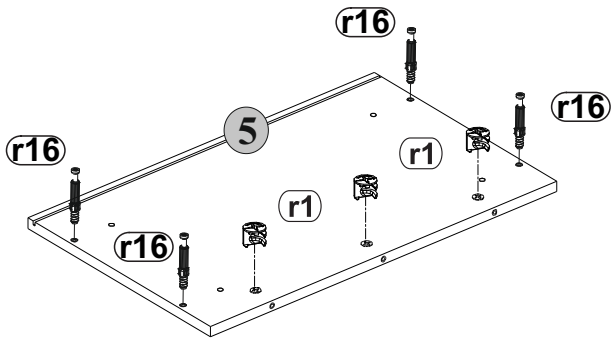
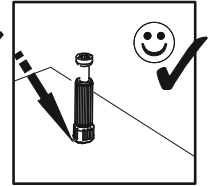
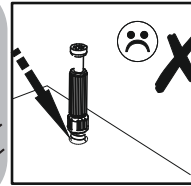
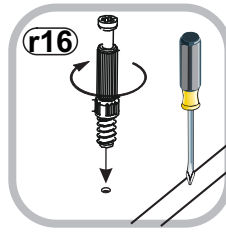
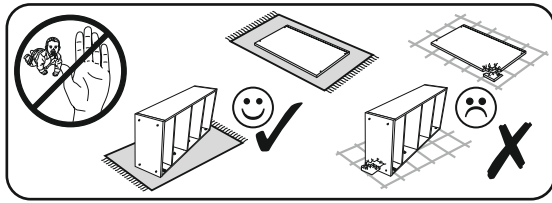
# Nightstand 1Dwr



number	Measurements	Pcs.
1	418x364	2
2	418x364	2
3	372x360	2
4	372x360	2
5	598x375	2
6	564x360	2
7	403x82	2
8	403x82	2
9	600x82	2
10	350x120	2
11	350x120	2

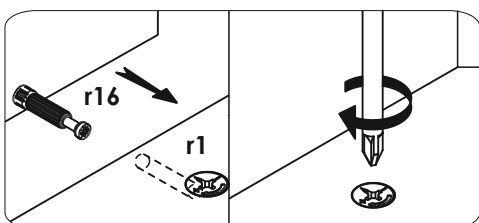
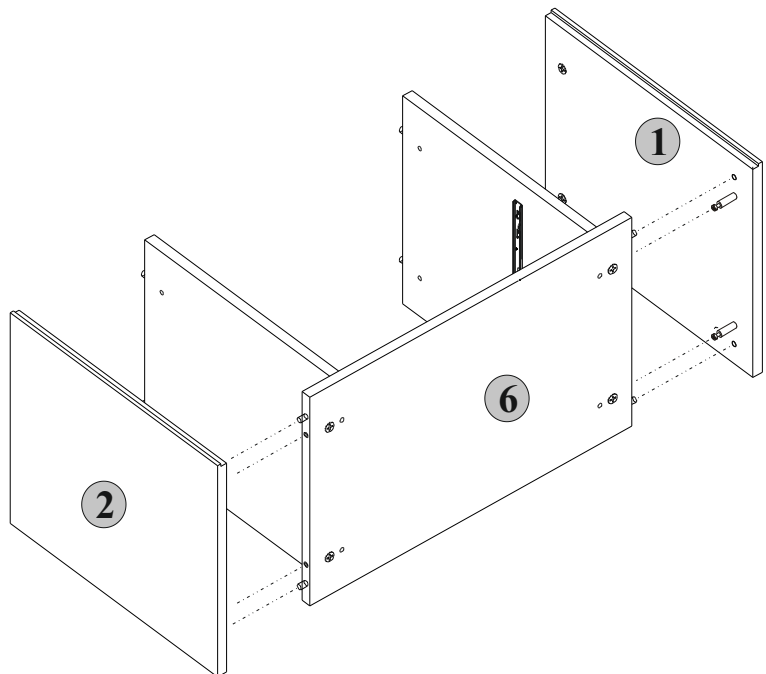
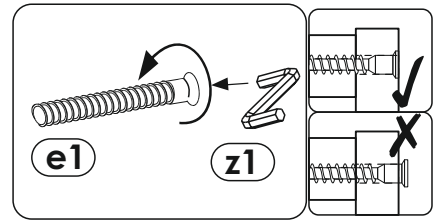
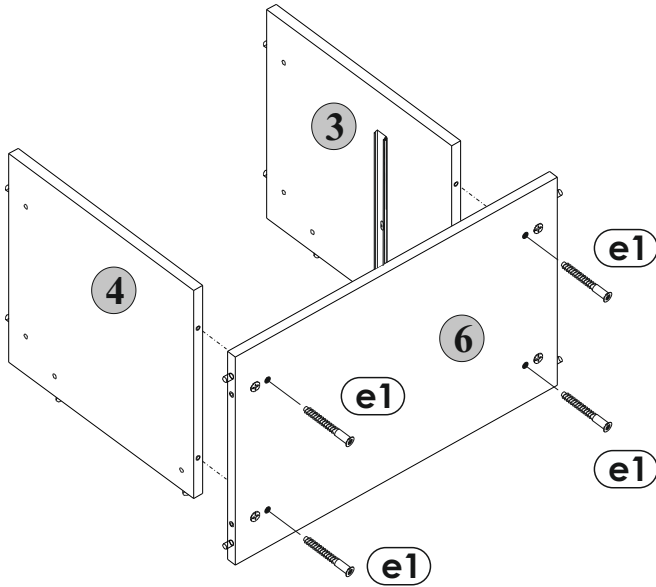
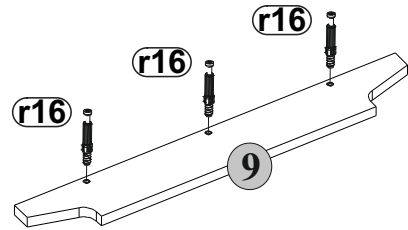
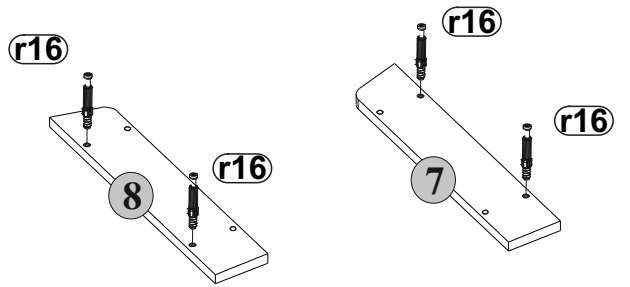
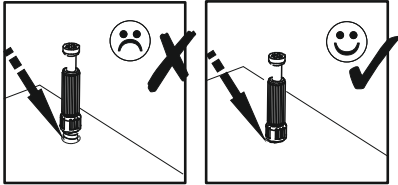
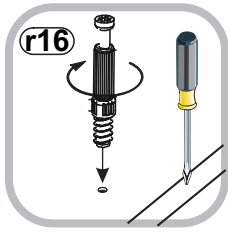
12	378x104	2
13	430x200	2
14	429x70	2
15	386x354	2
16	580x391	2





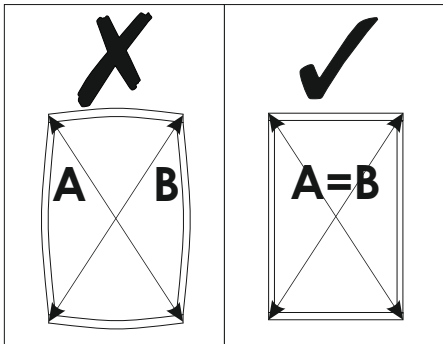
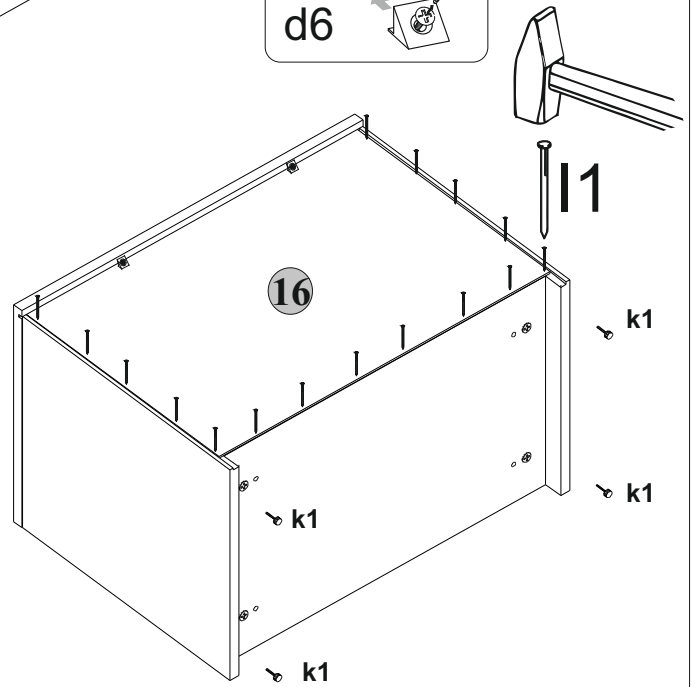
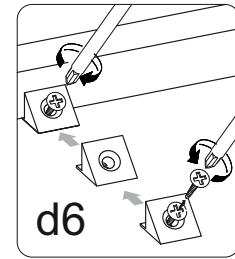
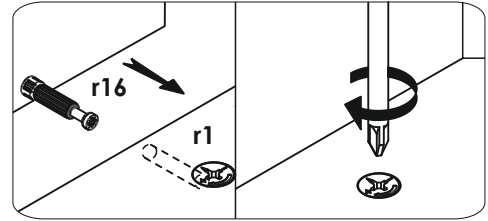
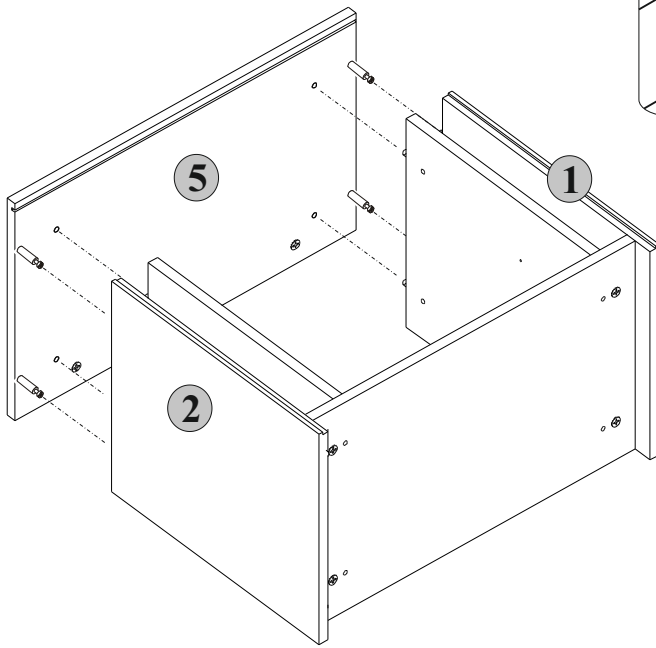
2

# 2

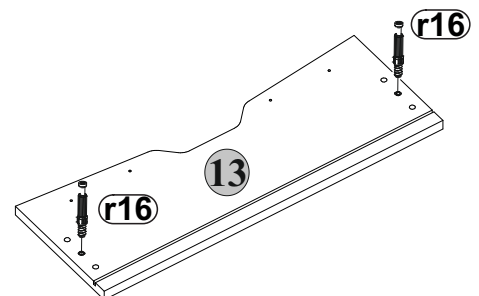
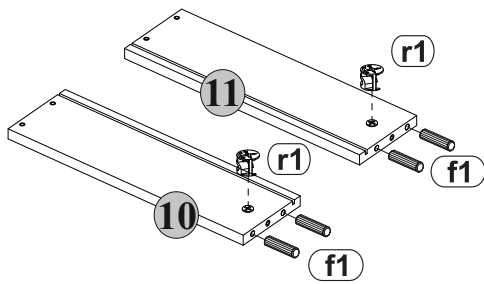


# 3

3

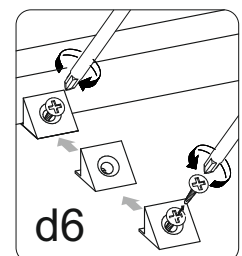
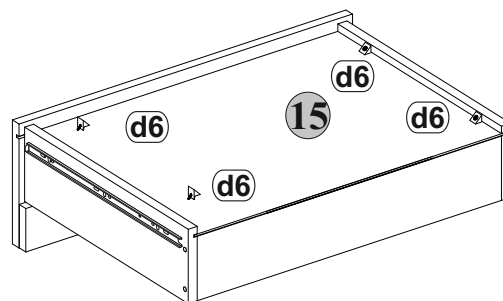
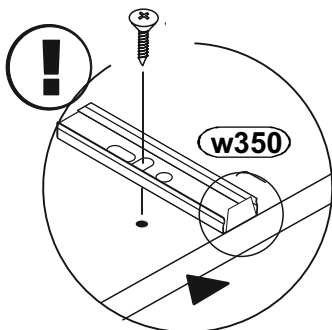
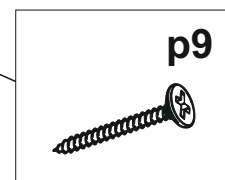
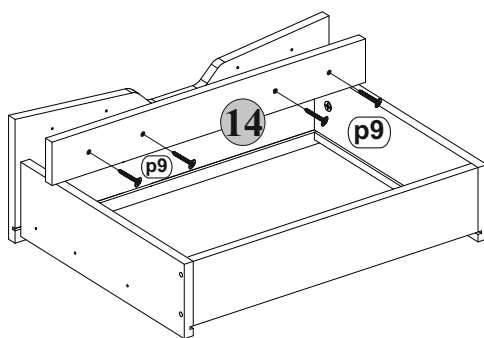
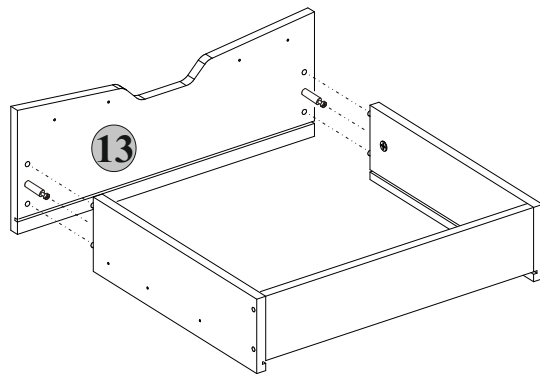
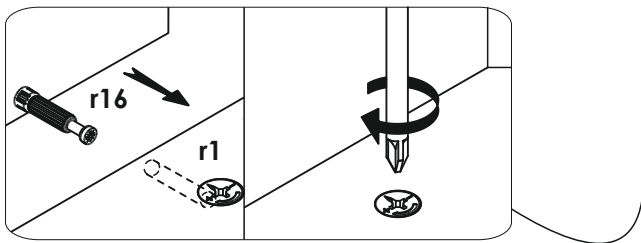
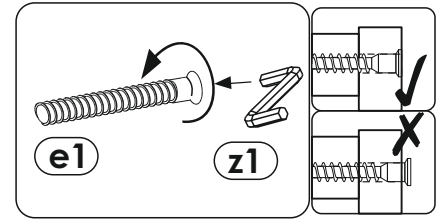
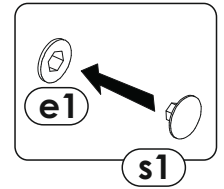
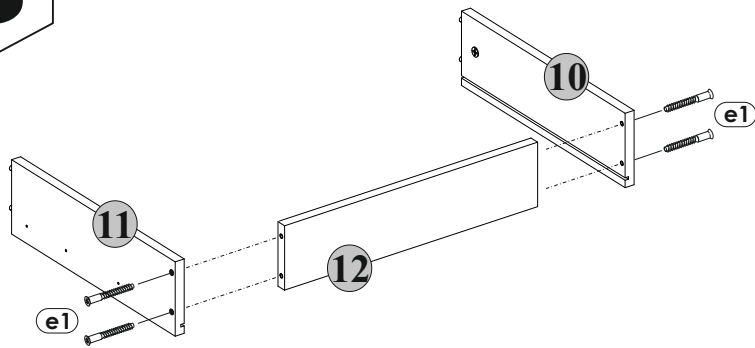


4



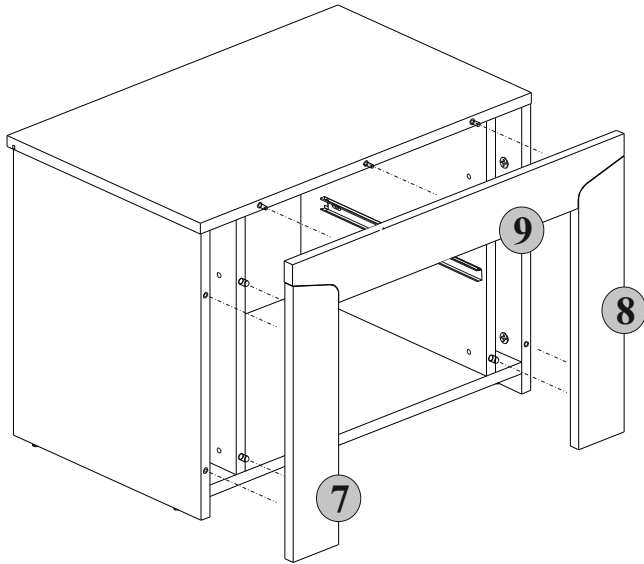
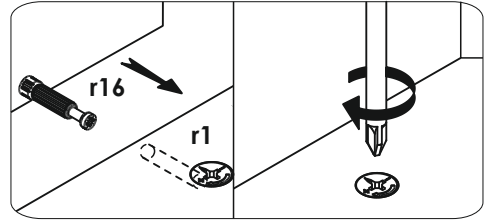
4

5

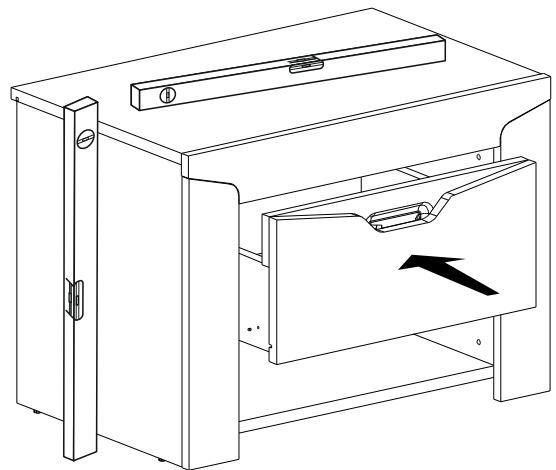
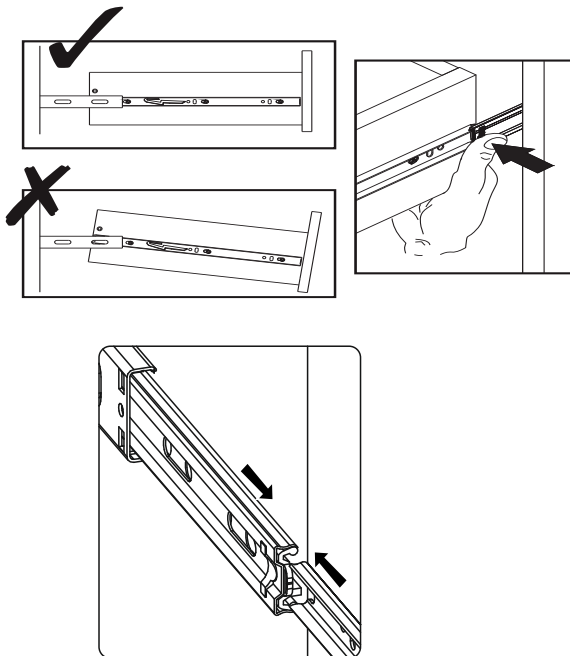


5

6



7



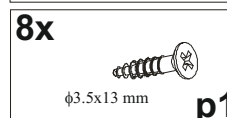
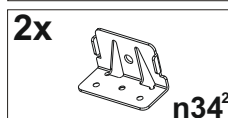
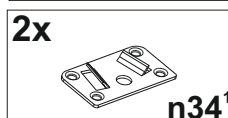
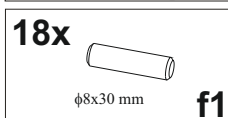
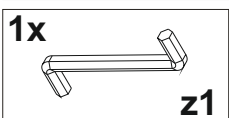
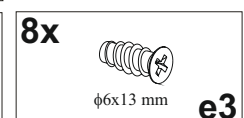
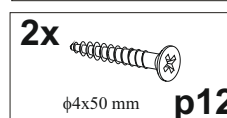
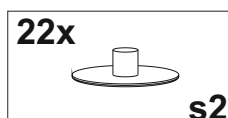
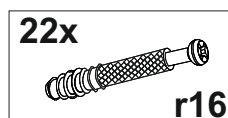
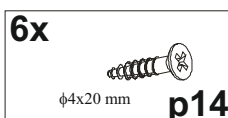
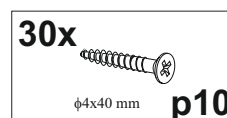
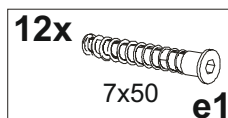
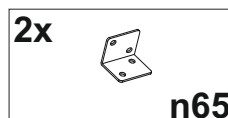
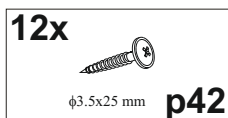
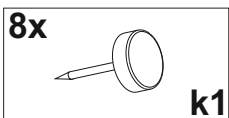
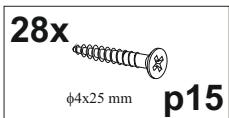
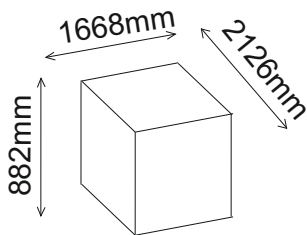
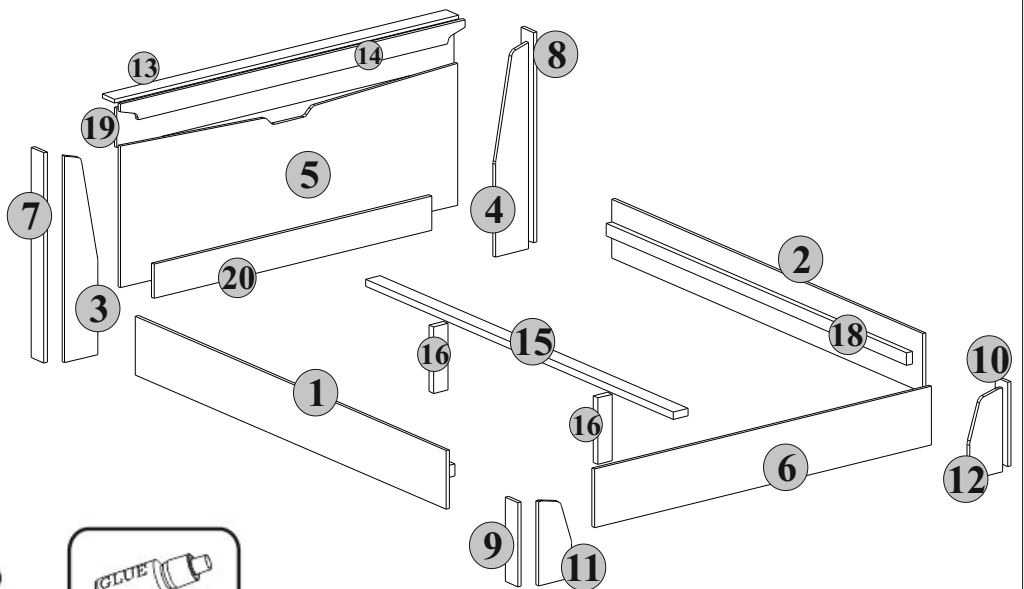
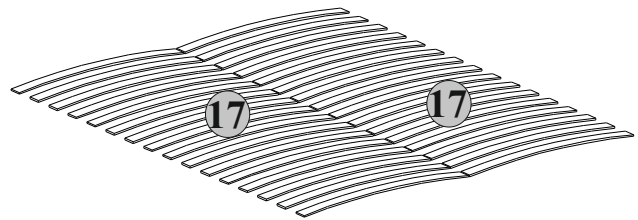
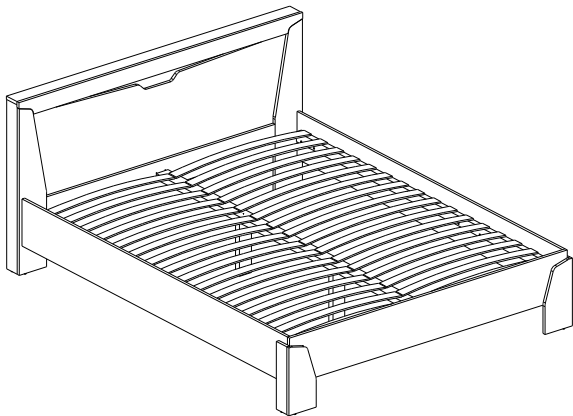
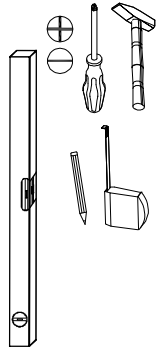
6

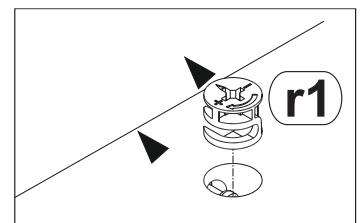
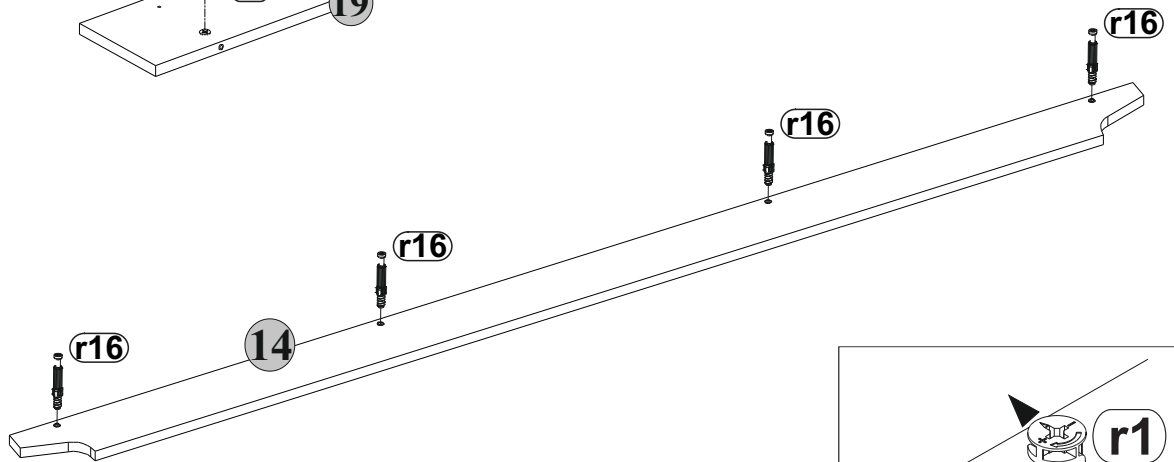
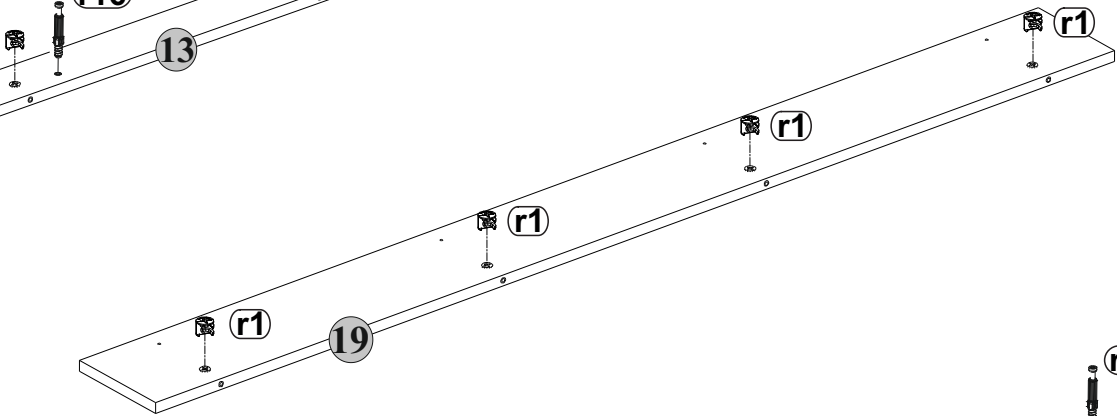
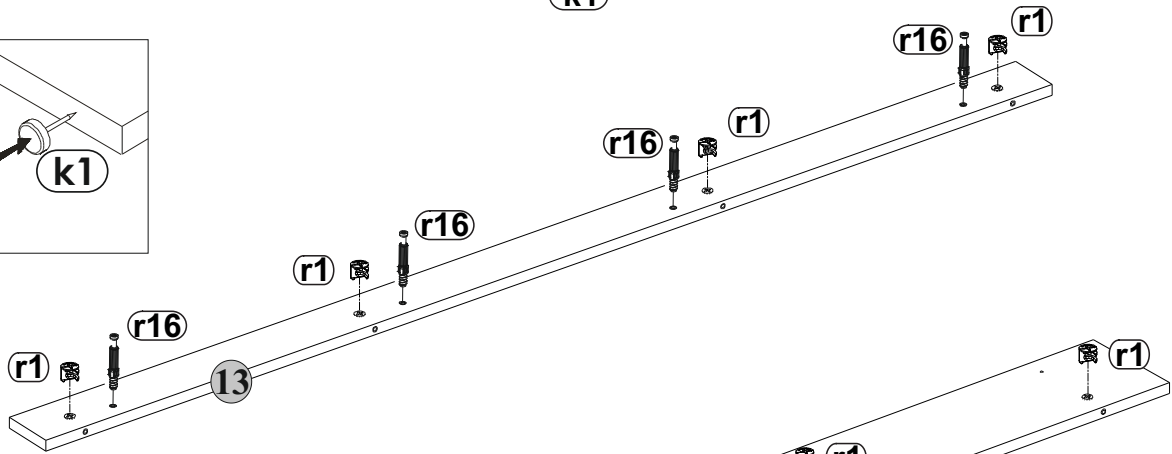
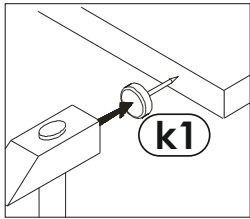
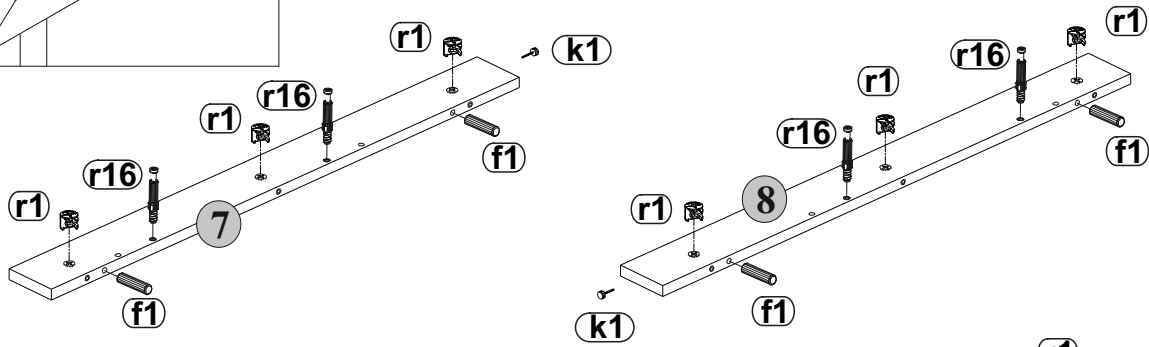
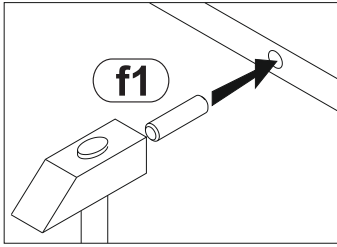
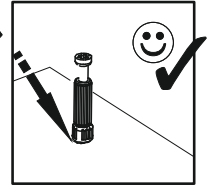
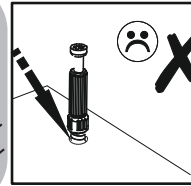
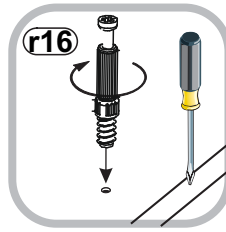
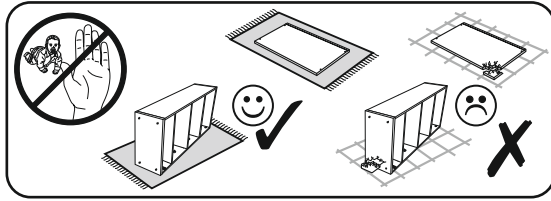


# Lamella Bed 160

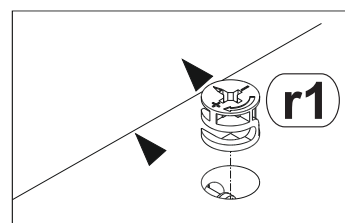
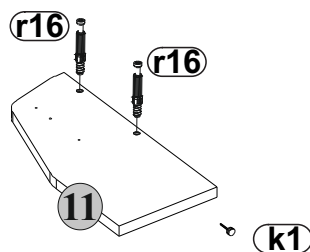
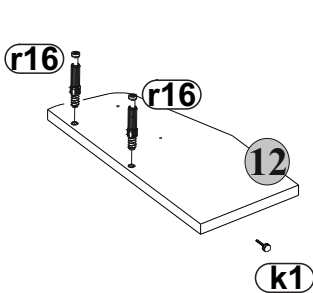
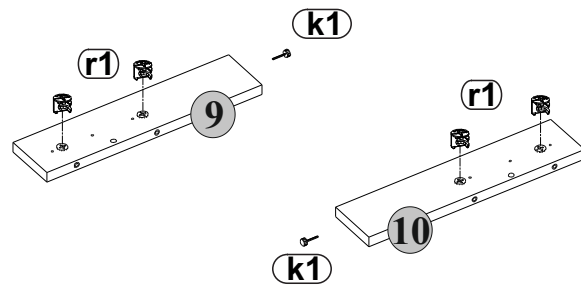
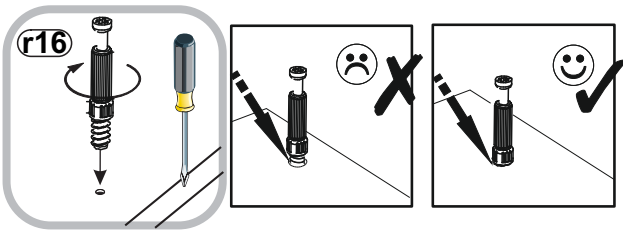
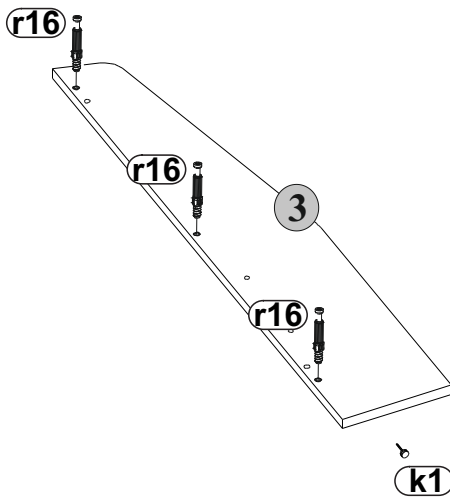
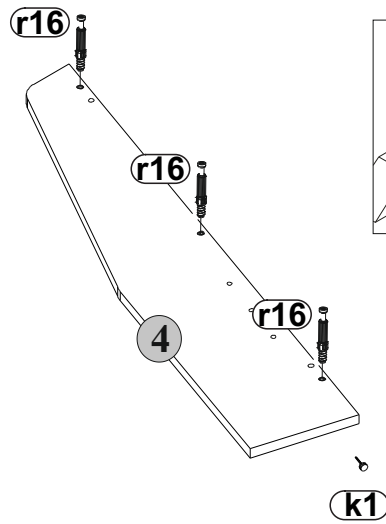
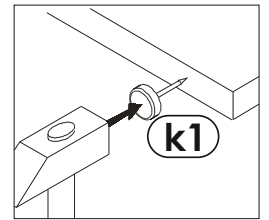
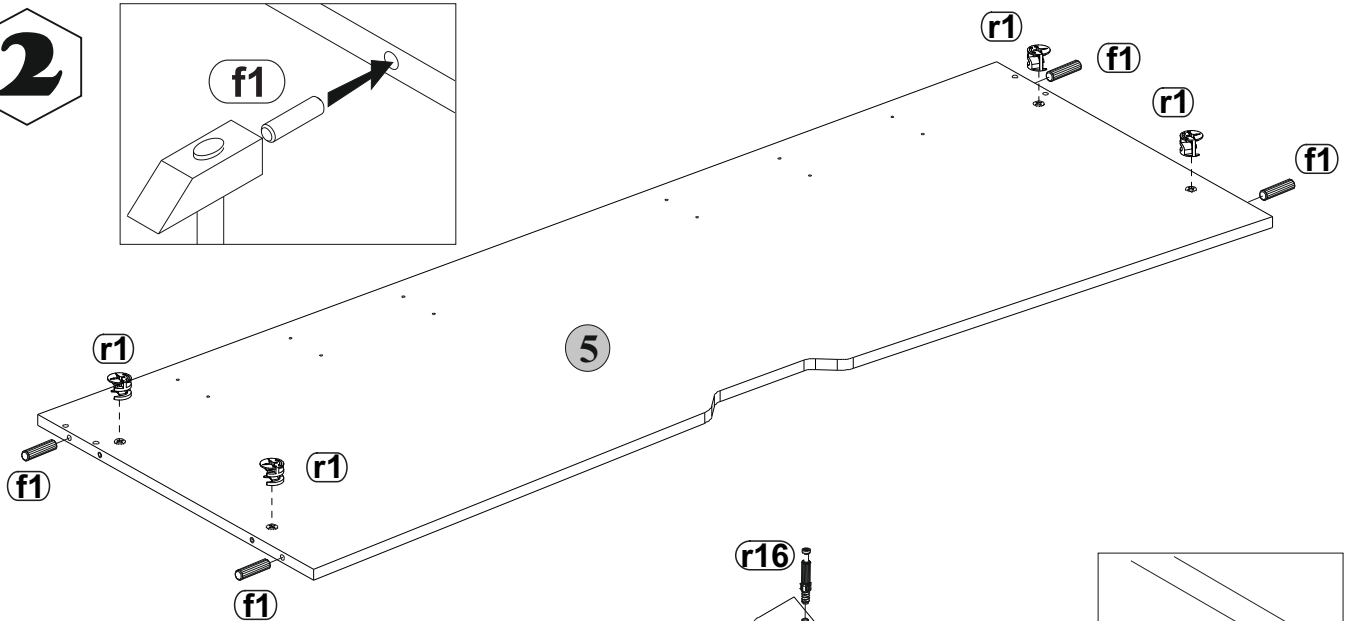
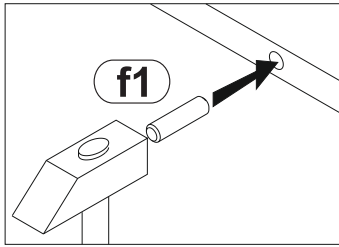


number	Measurements	Pcs.	12	344x160	1
1	1998x240	1	13	1666x80	1
2	1998x240	1	14	1668x82	1
3	845x161	1	15	1978x70	1
4	845x161	1	16	272x70	2
5	1632x580	1	17	796x54	32
6	1632x240	1	18	1928x50	2
7	860x80	1	19	1344x140	1
8	860x80	1	20	1632x160	1
9	344x80	1			
10	344x80	1			
11	344x160	1			



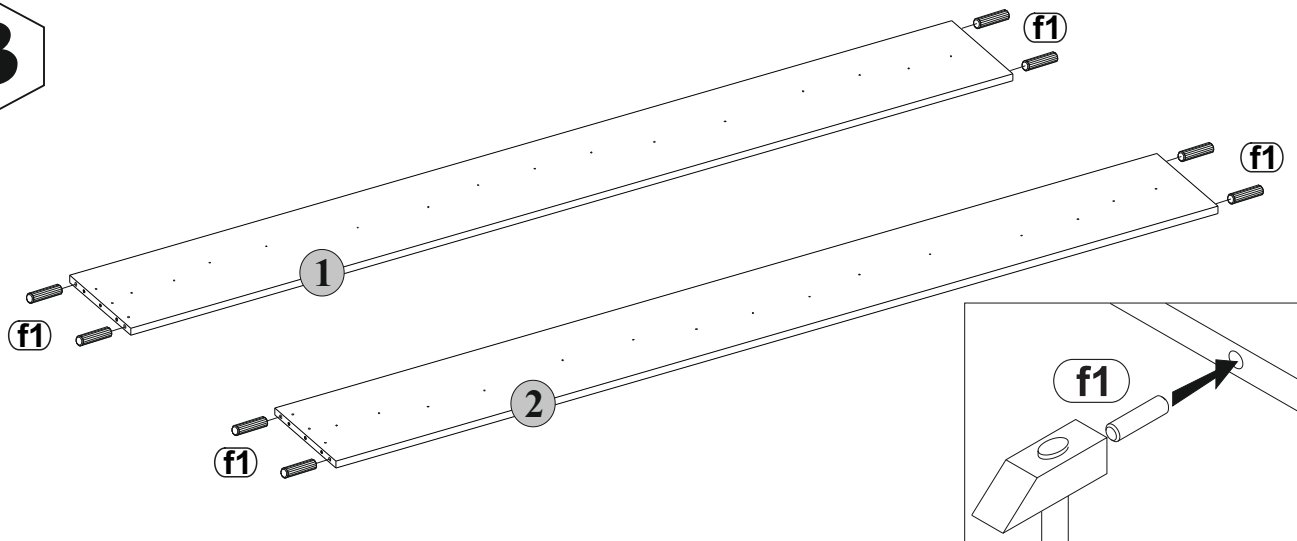


**2**

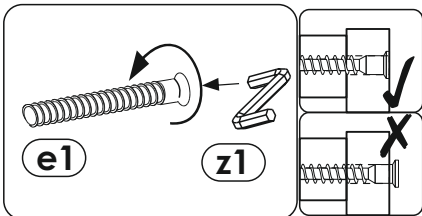
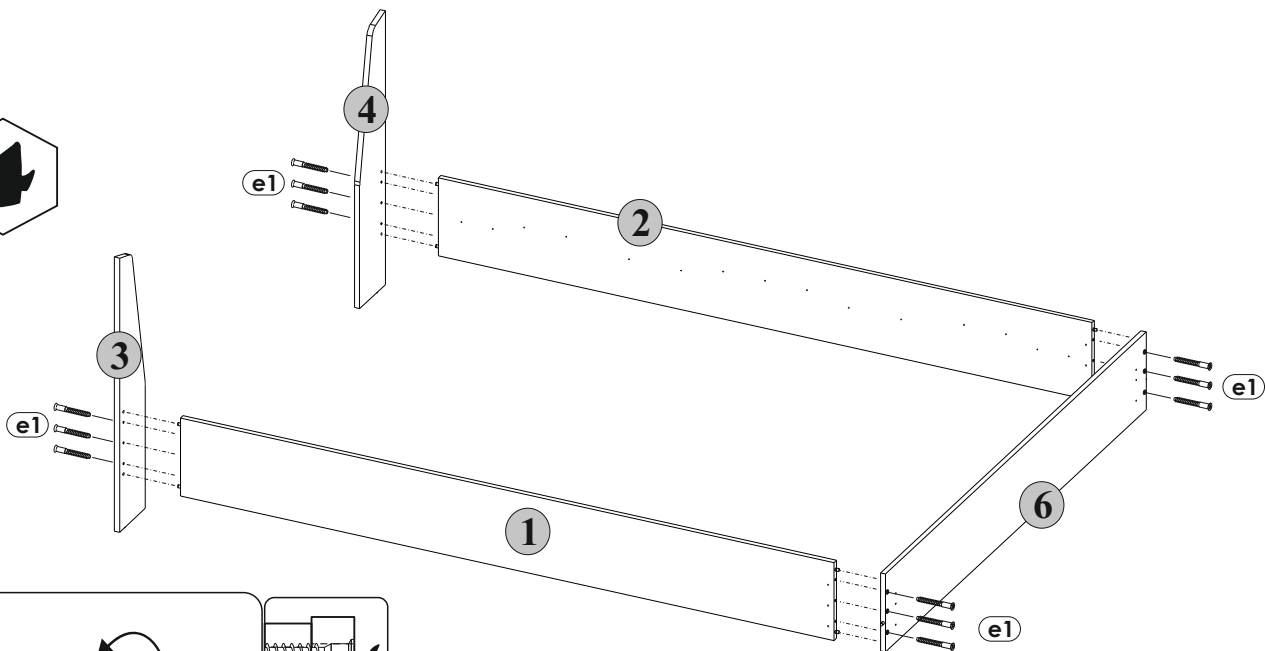


**3**

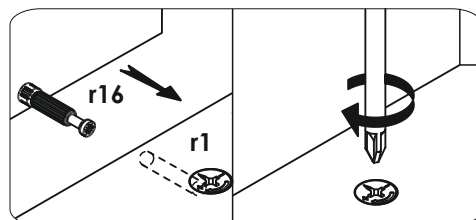
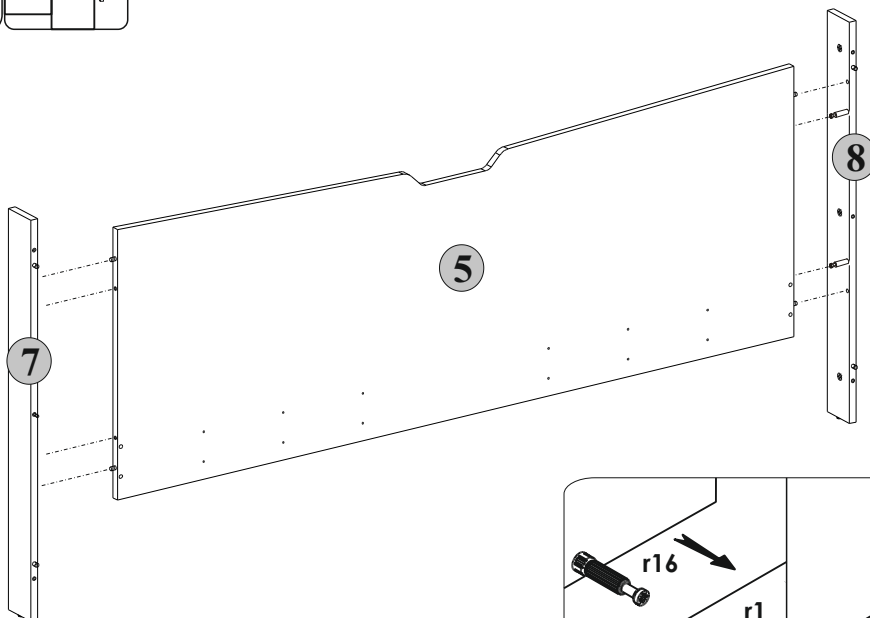
3



4

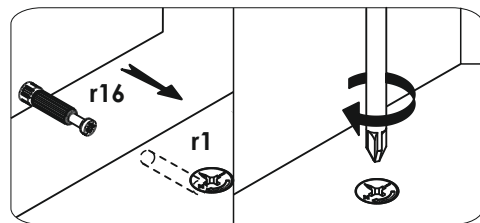
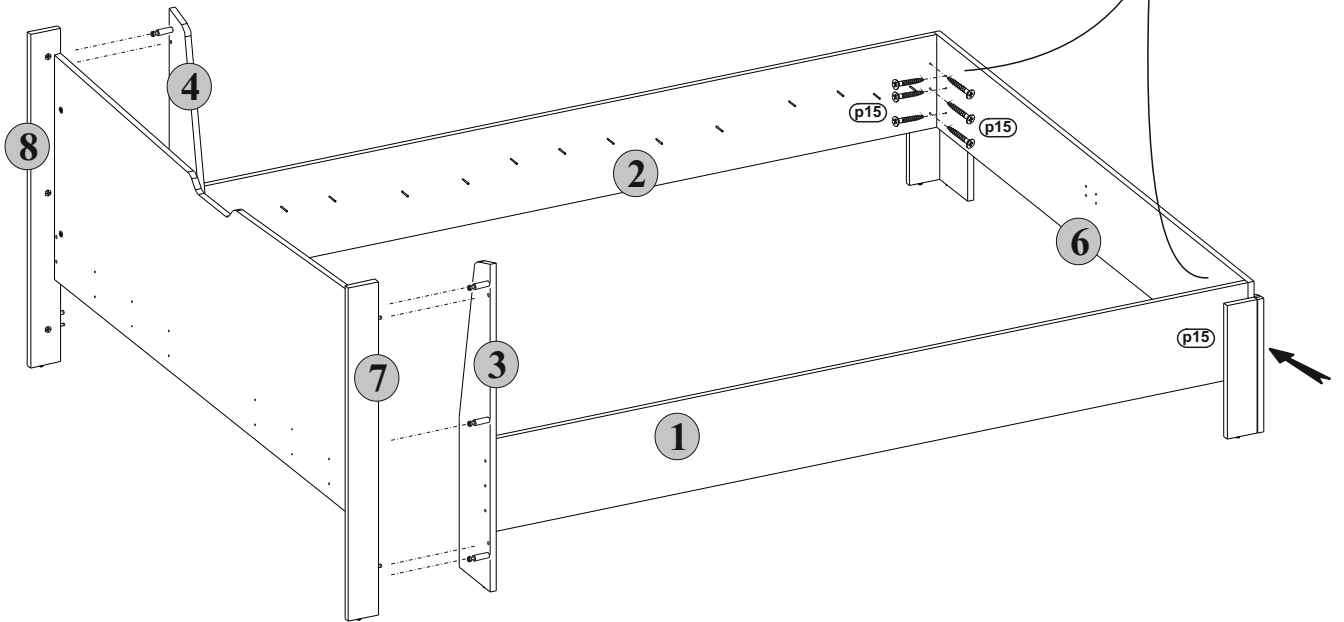
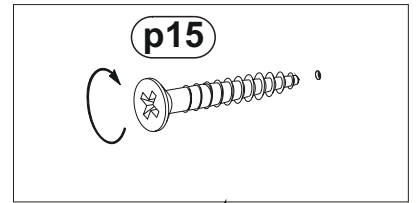
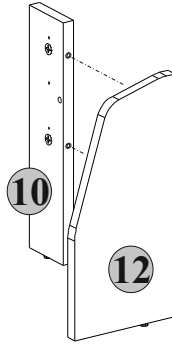
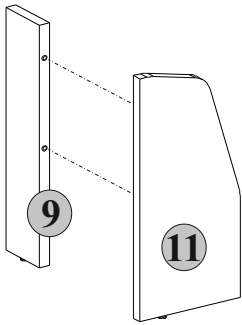
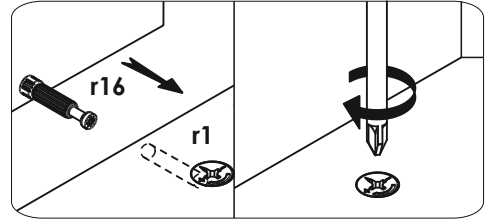


5



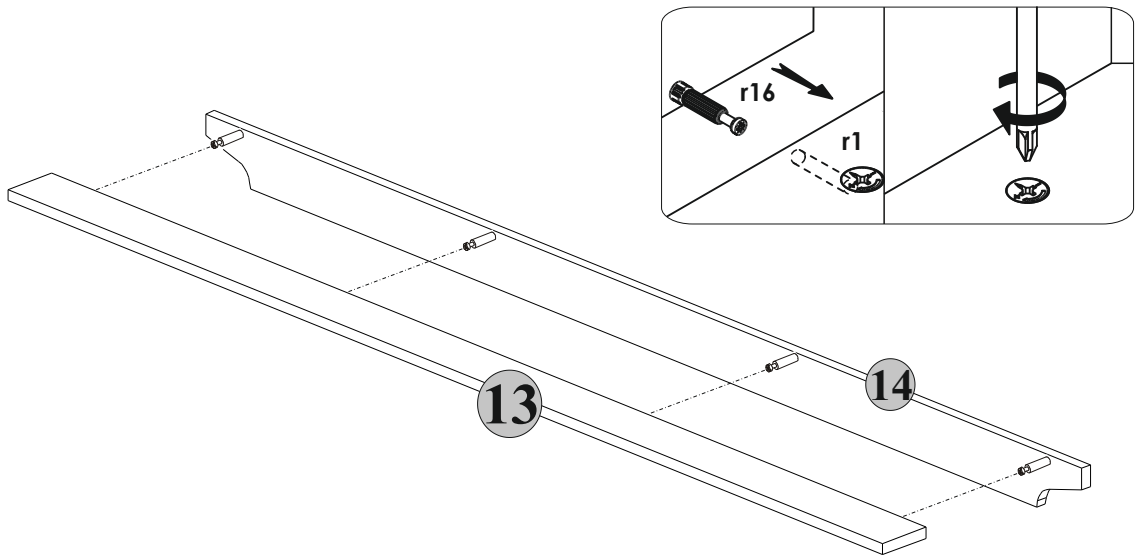
4

6

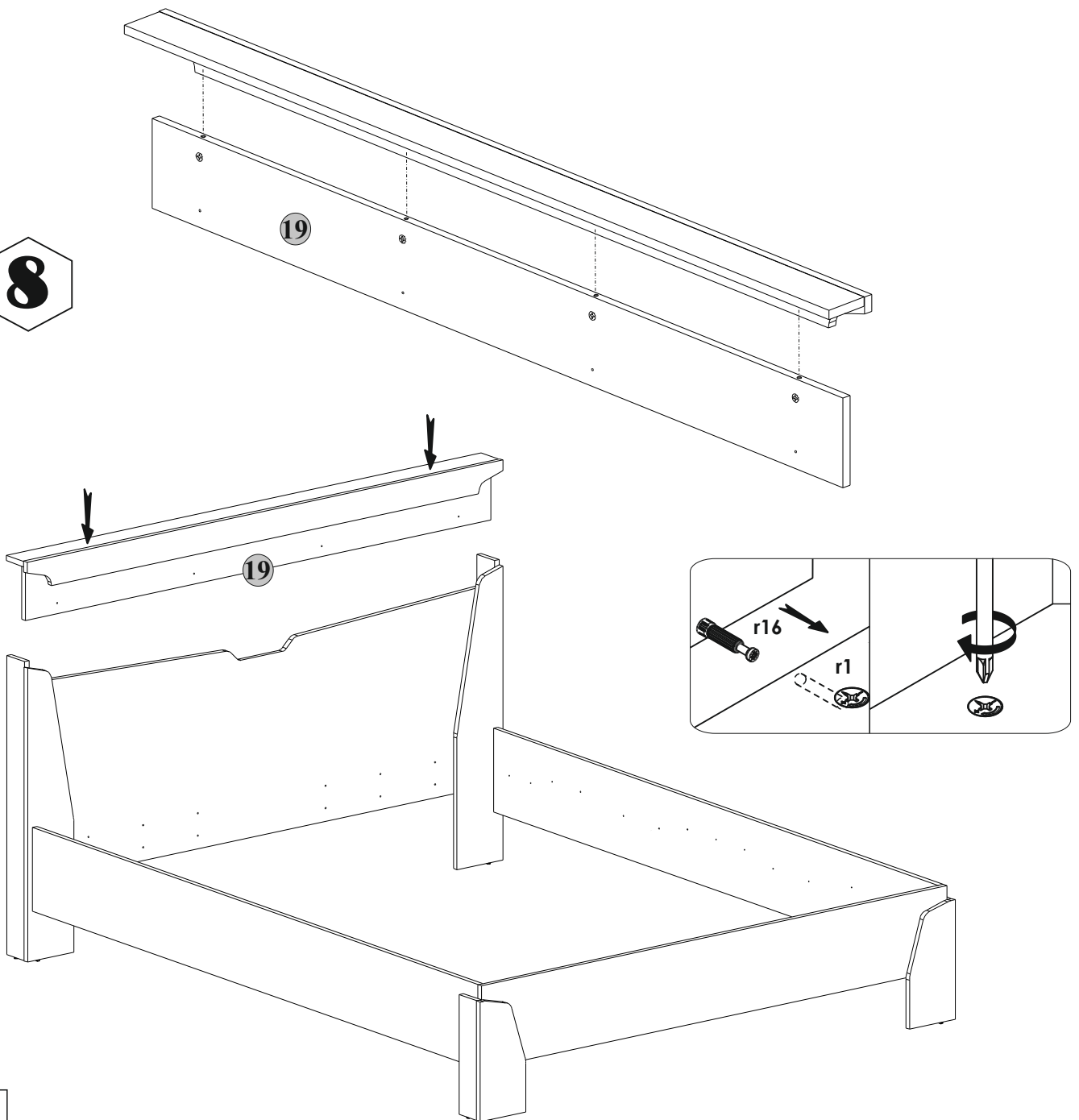


5

7

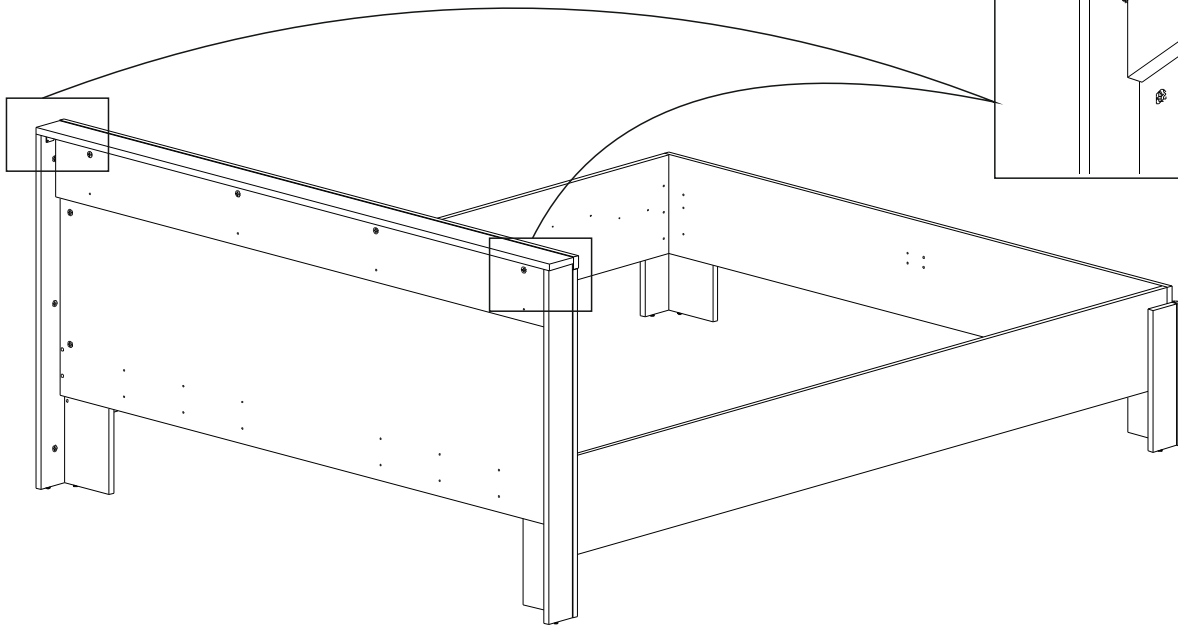
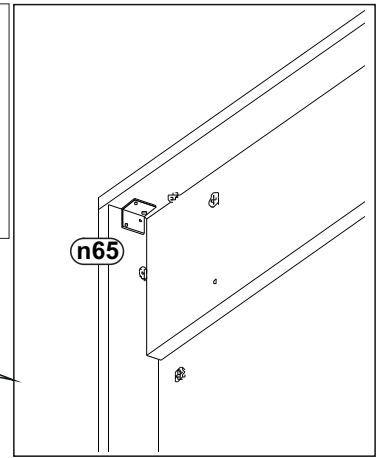
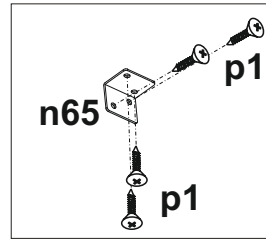


8

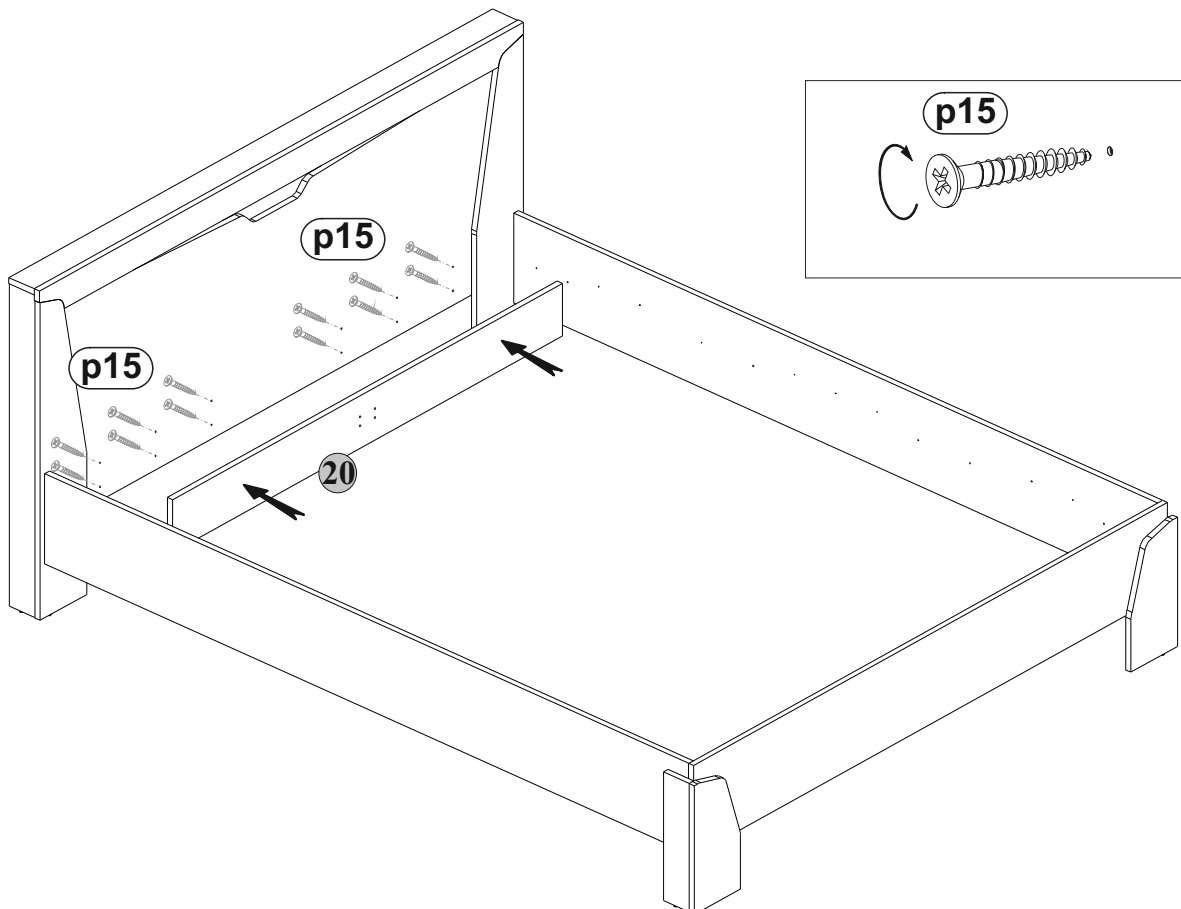
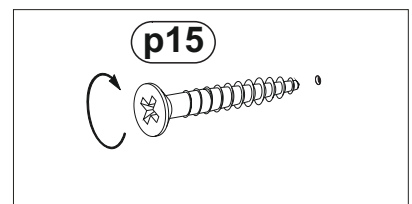


6

9

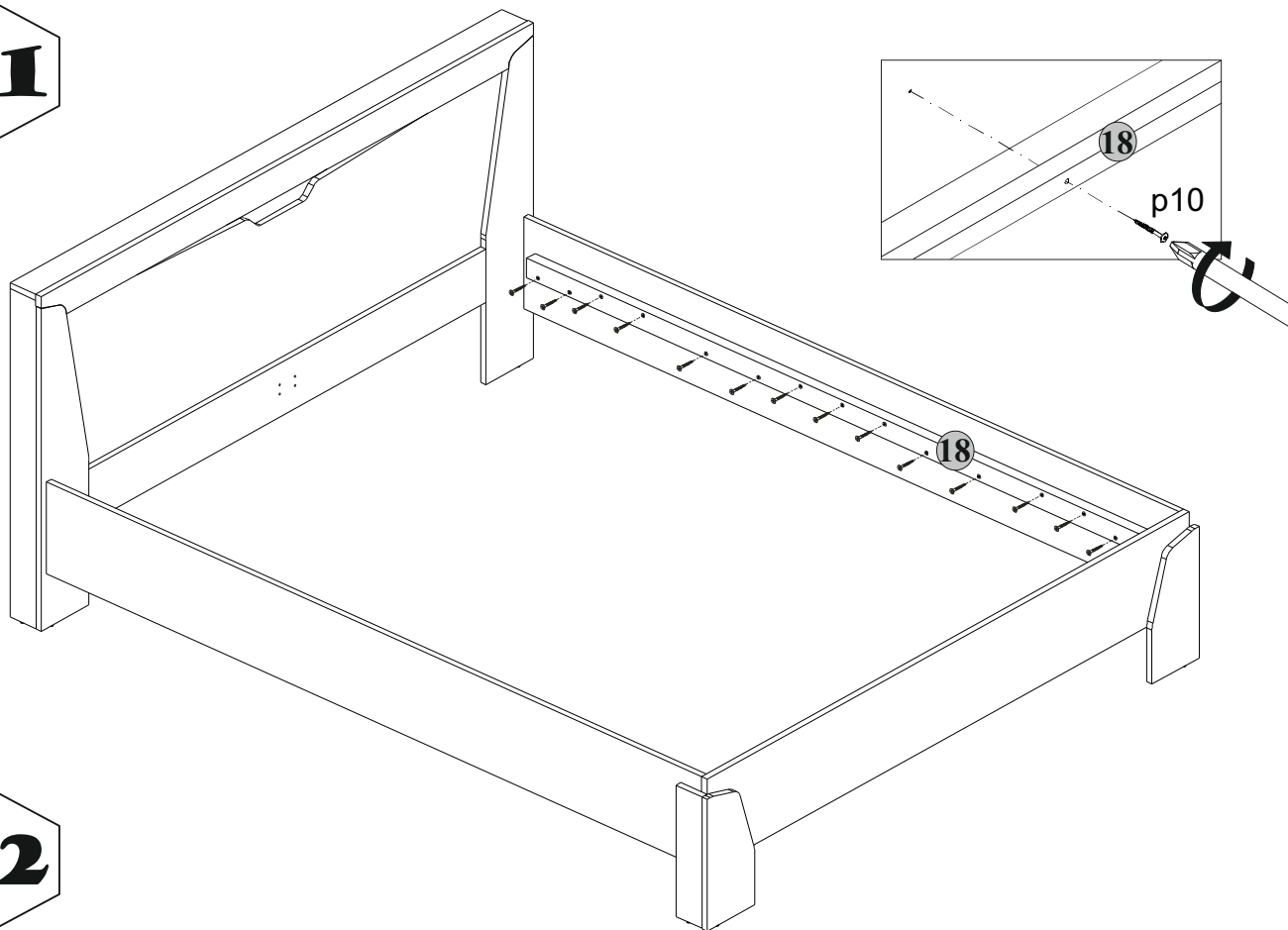


10

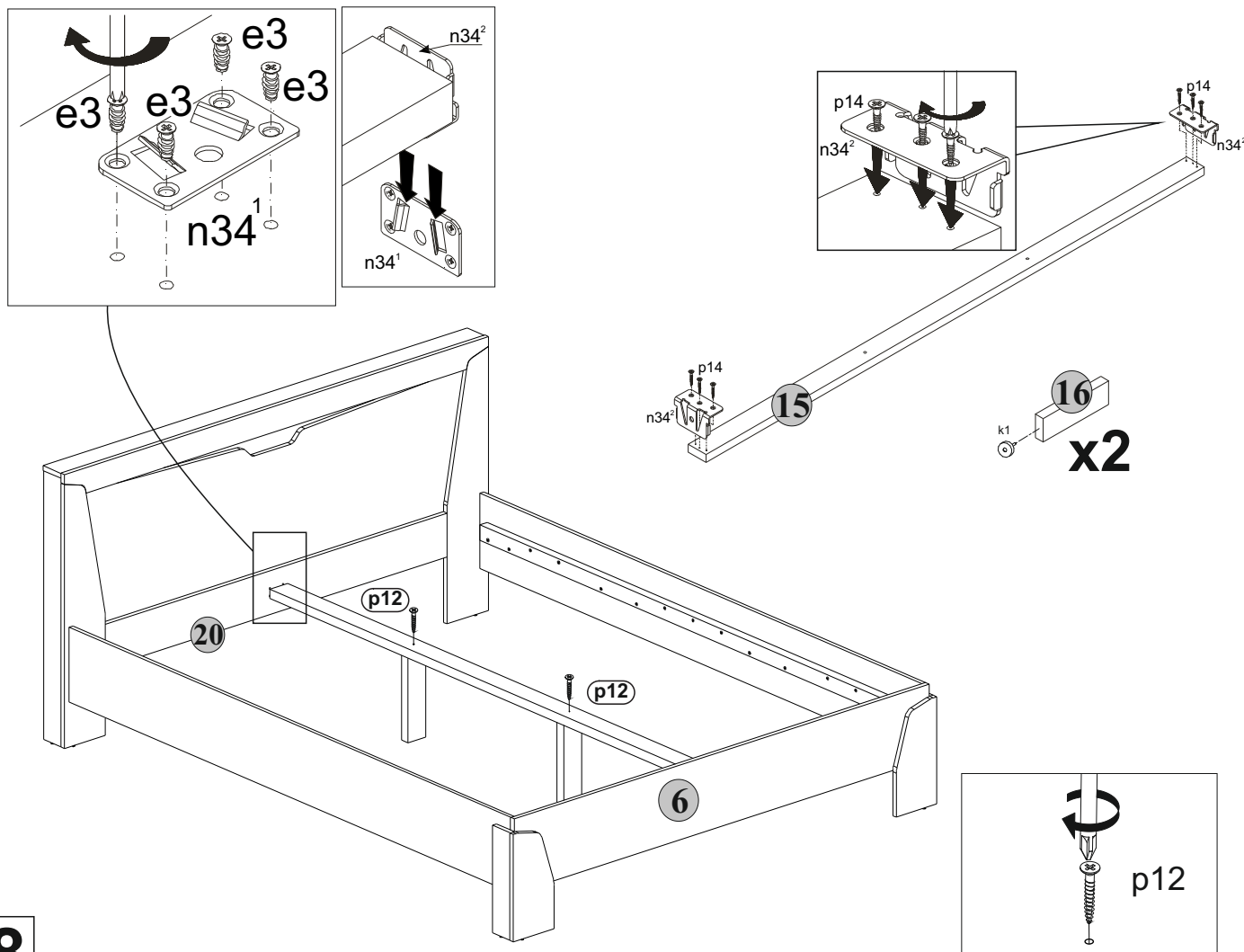


7

**11**



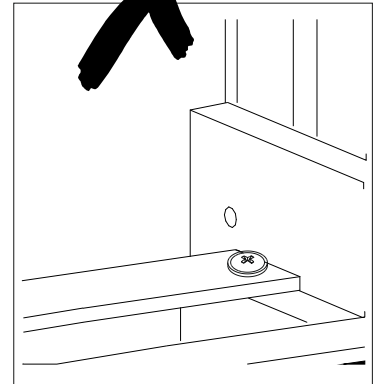
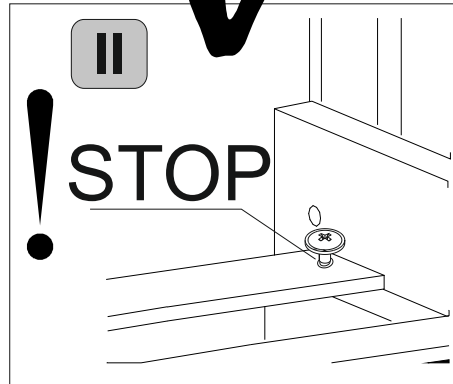
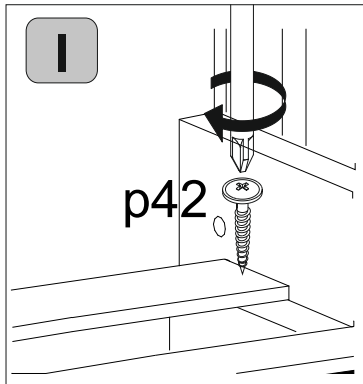
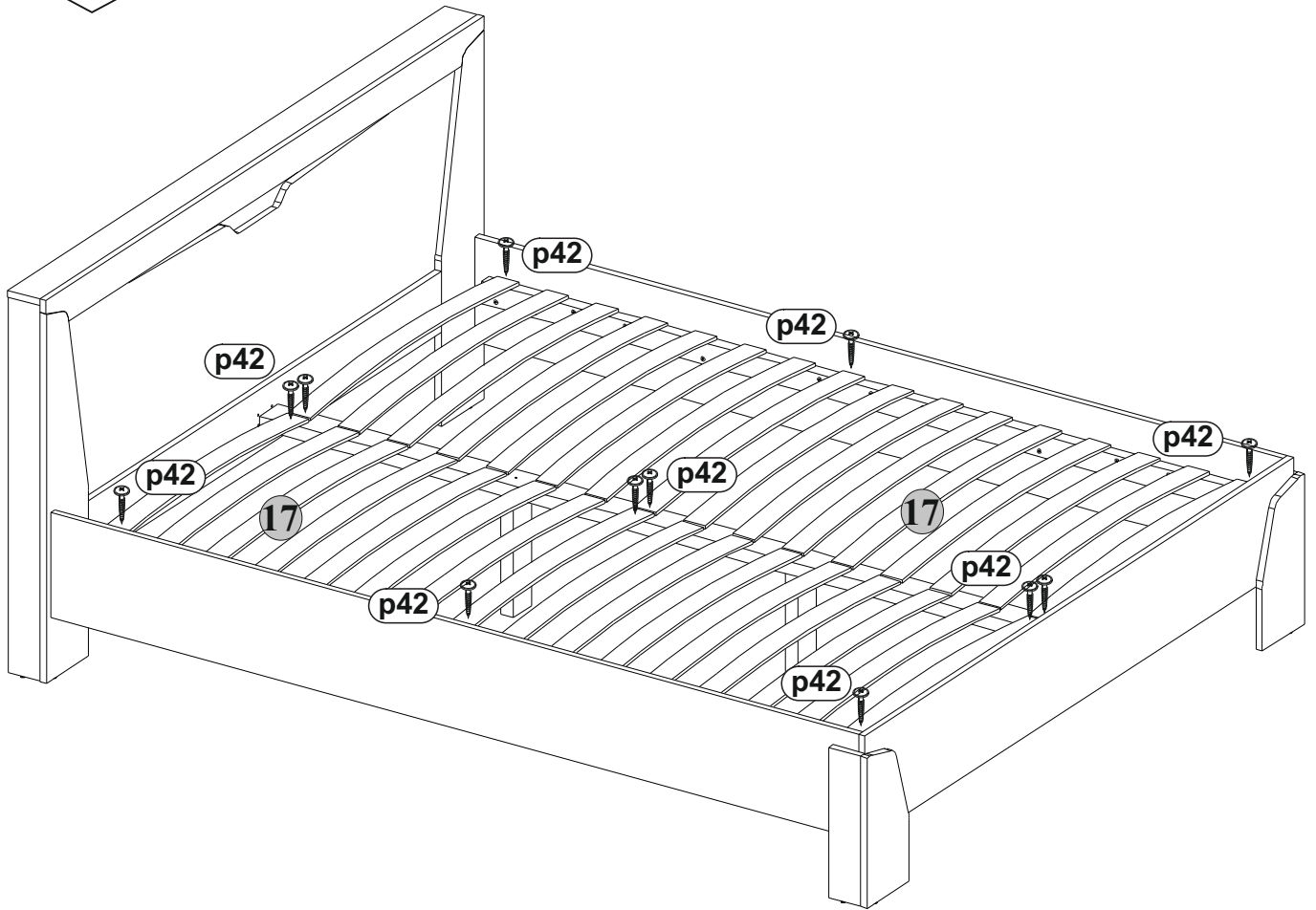
**12**



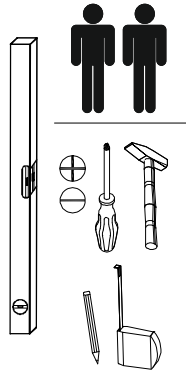
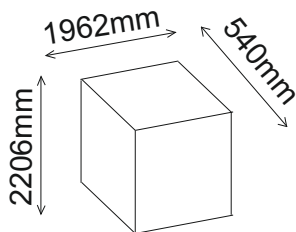
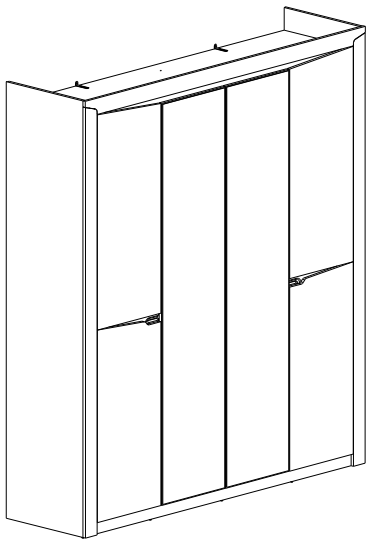
**8**



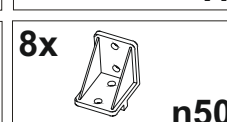
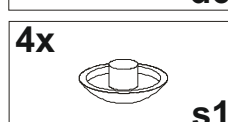
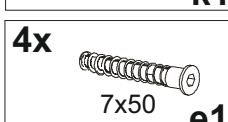
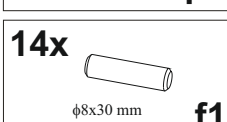
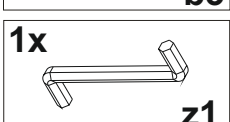
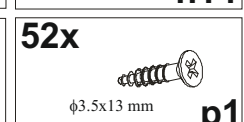
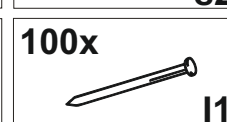
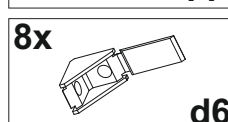
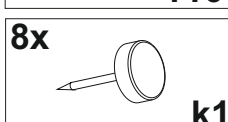
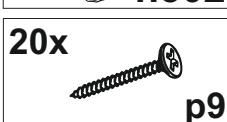
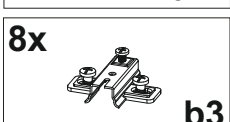
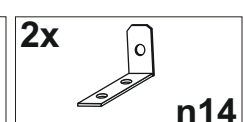
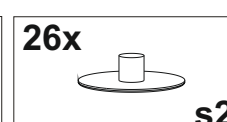
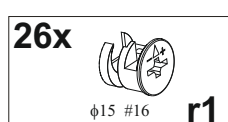
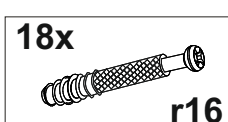
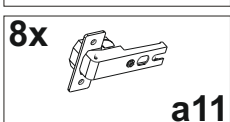
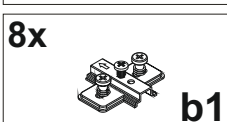
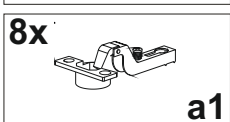
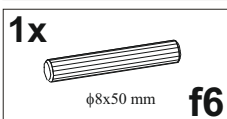
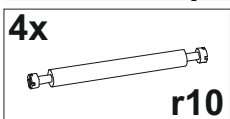
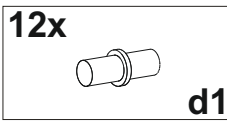
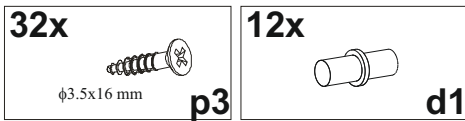
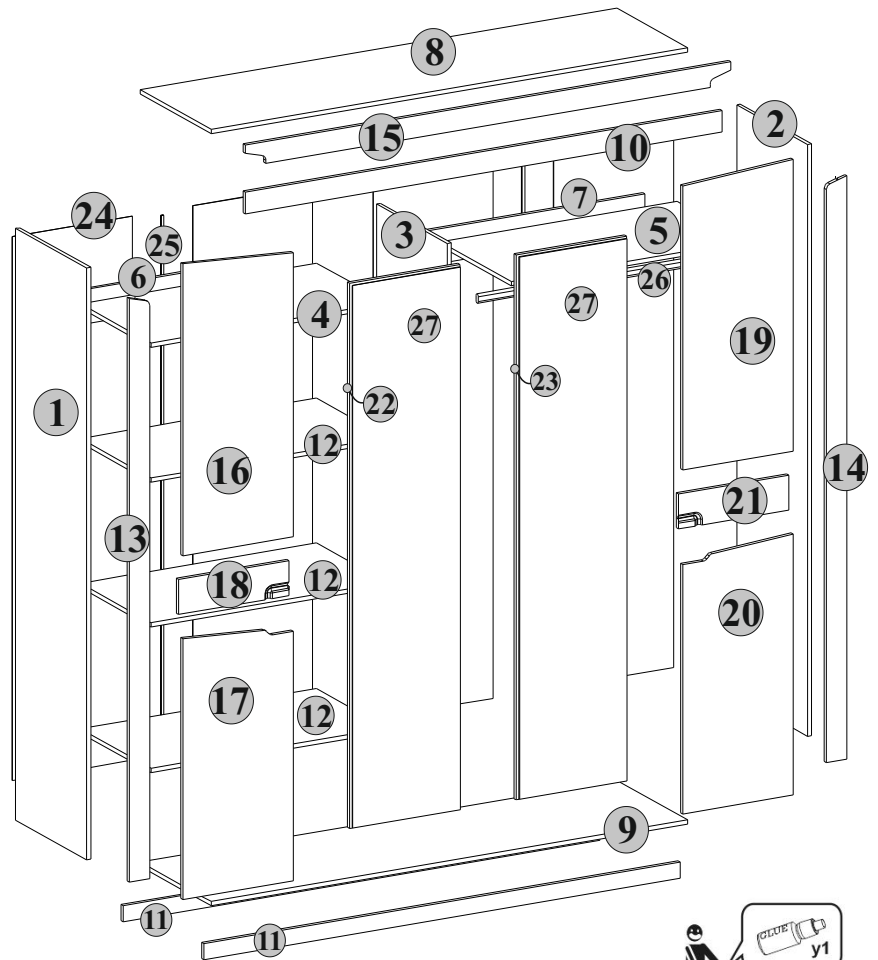
# 13

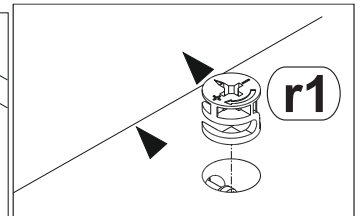
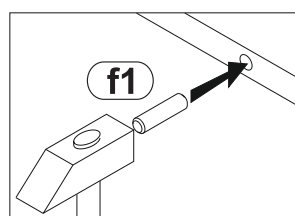
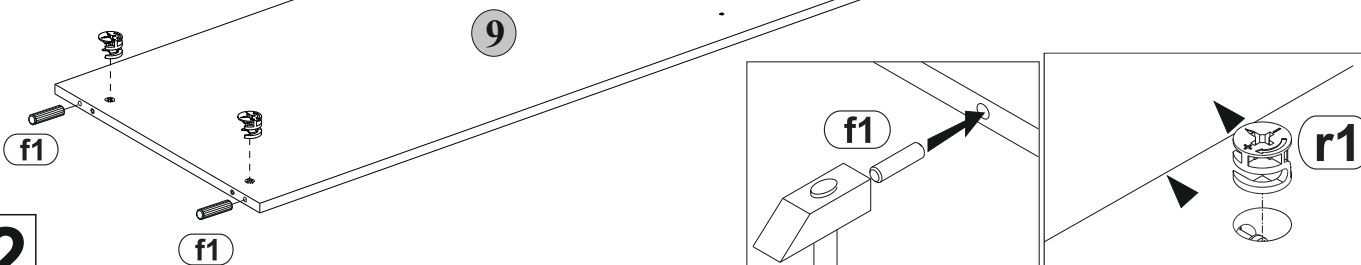
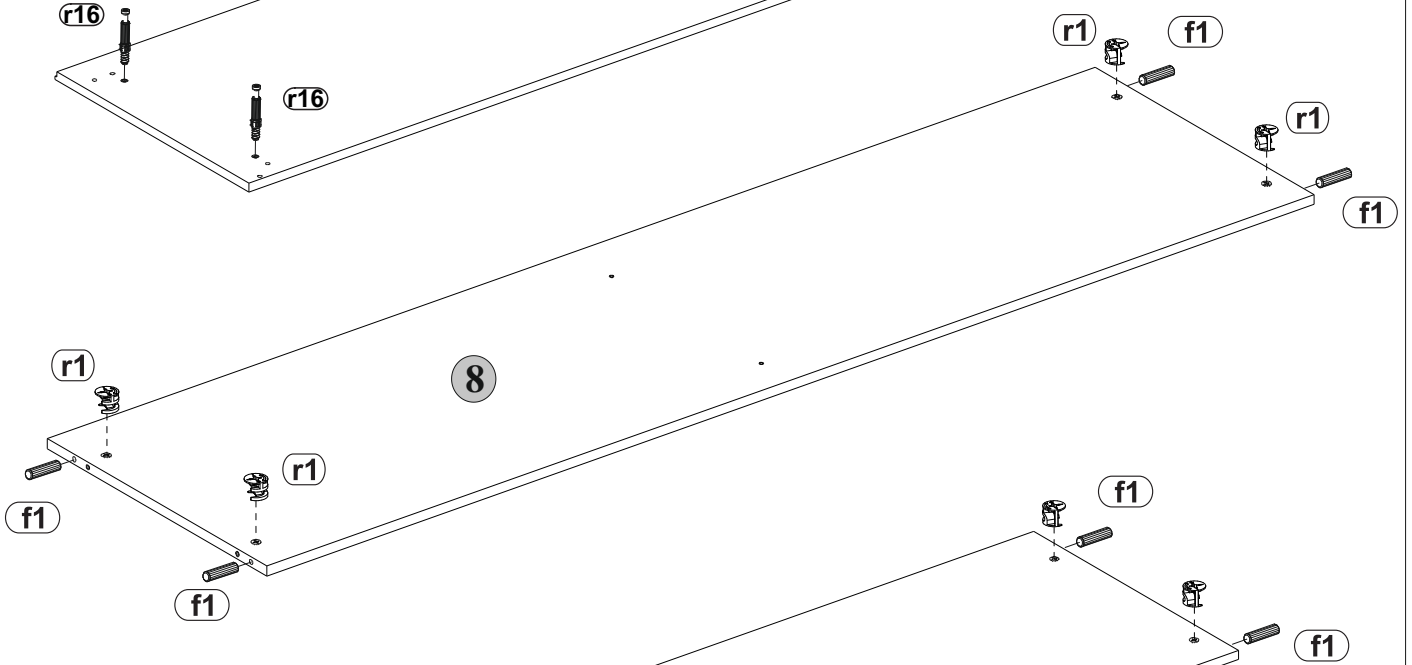
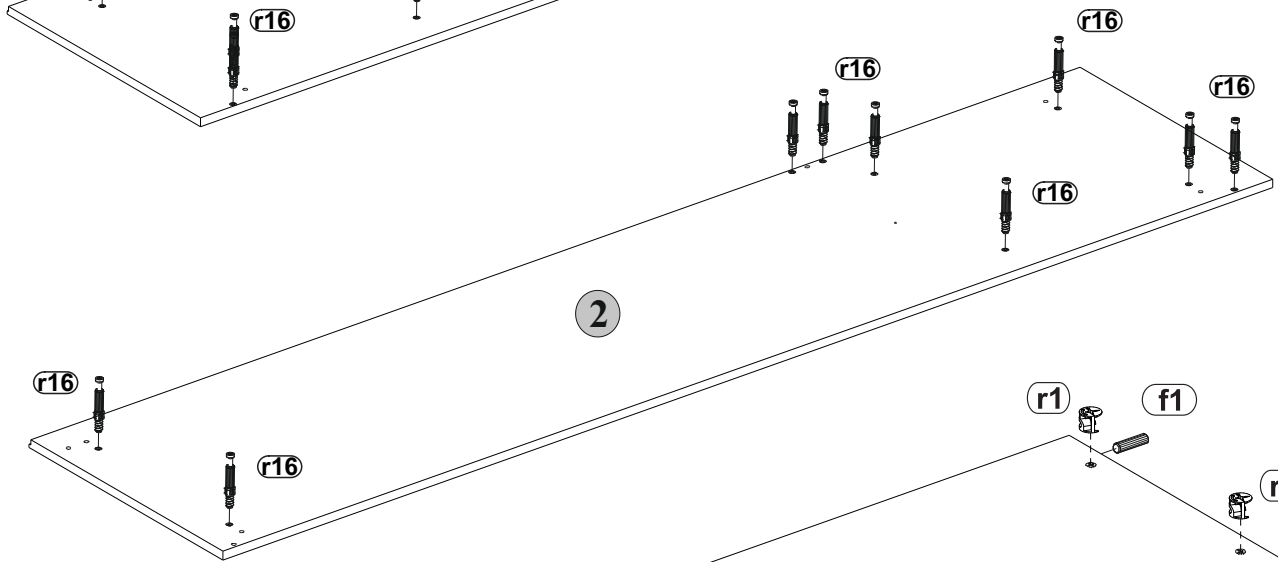
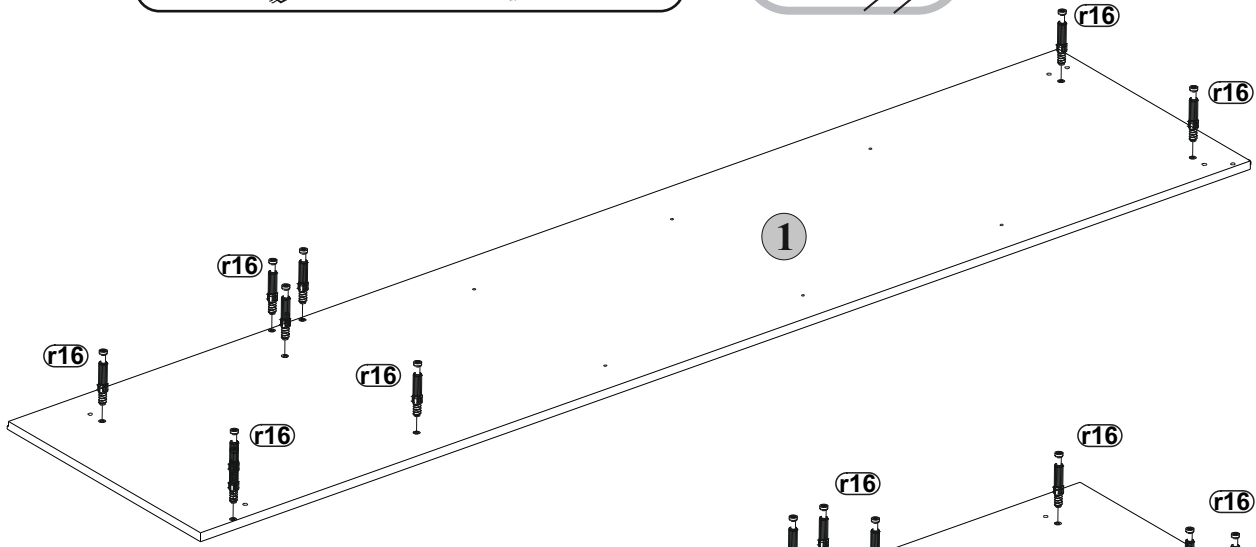
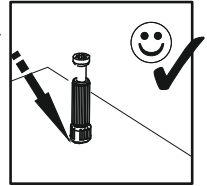
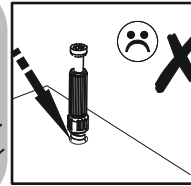
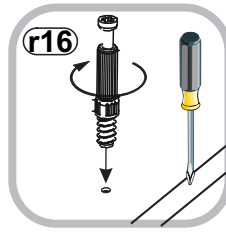
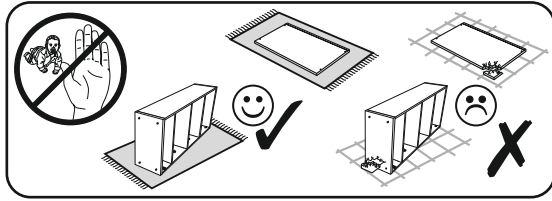


# Wardrobe 4D



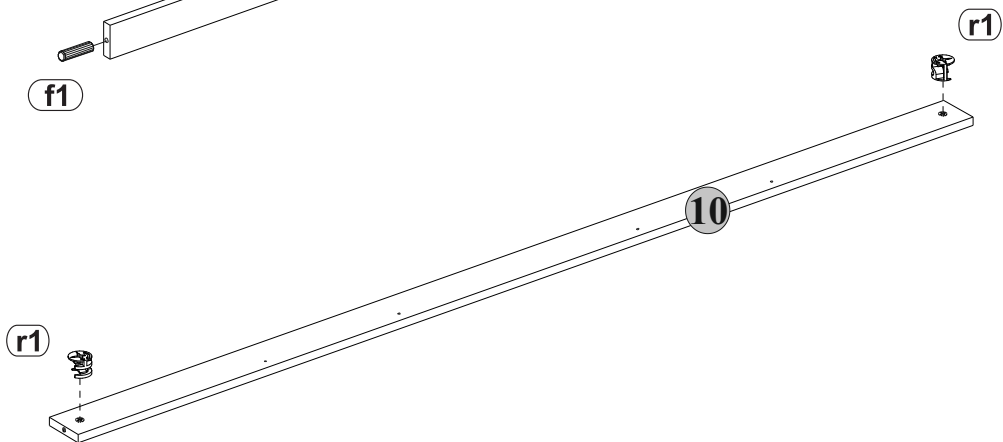
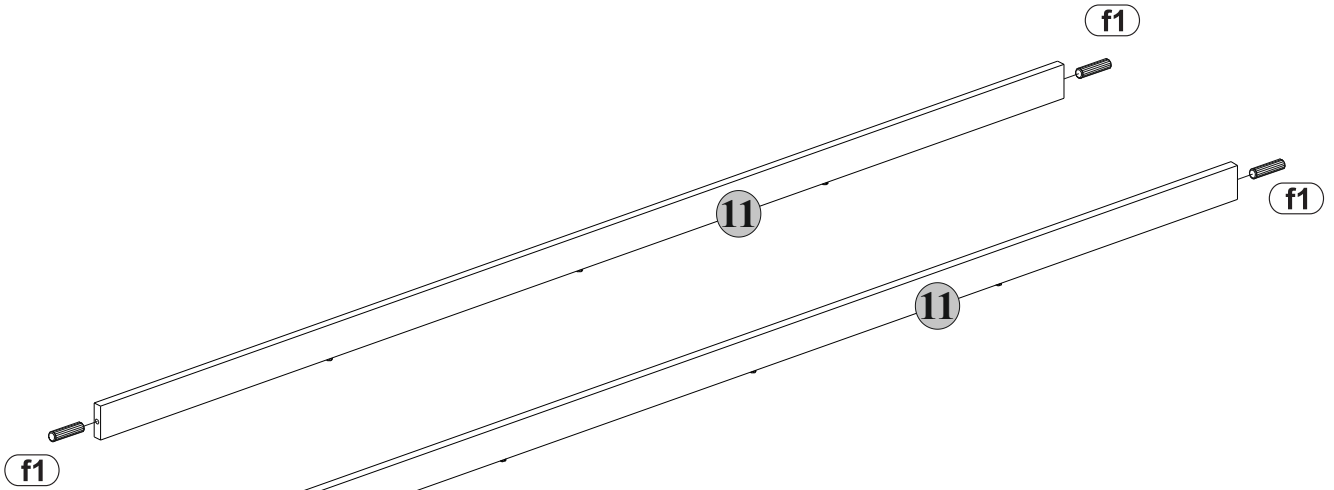
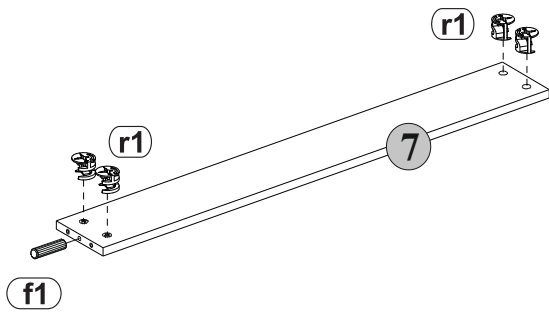
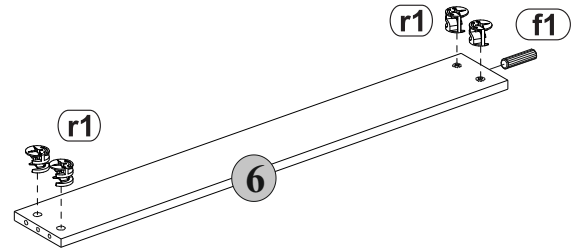
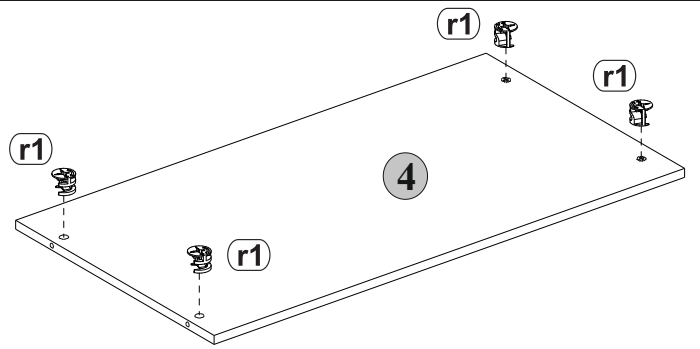
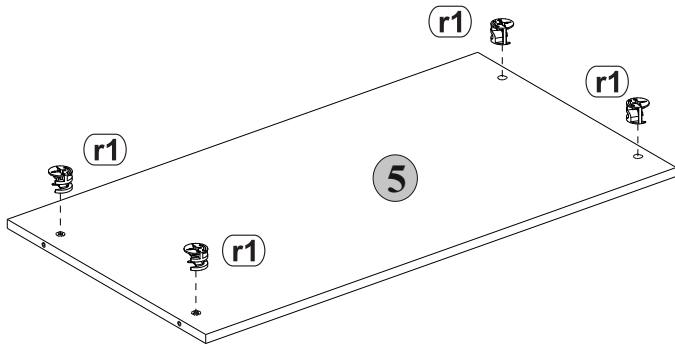
number	Measurements	Pcs	15	1962x82	1
1	2200x520	1	16	445x1085	1
2	2200x520	1	17	445x970	1
3	1994x516	1	18	445x130	1
4	955x516	1	19	445x970	1
5	955x516	1	20	445x1085	1
6	955x128	1	21	445x130	1
7	955x128	1	22	445x2026	1
8	1926x516	1	23	445x2026	1
9	1926x516	1	24	2022x484	4
10	1926x80	1	25	2008x	2
11	1926x60	2	26	944x	1
12	924x516	3	27	2016x435	2
13	2169x82	1			
14	2169x82	1			





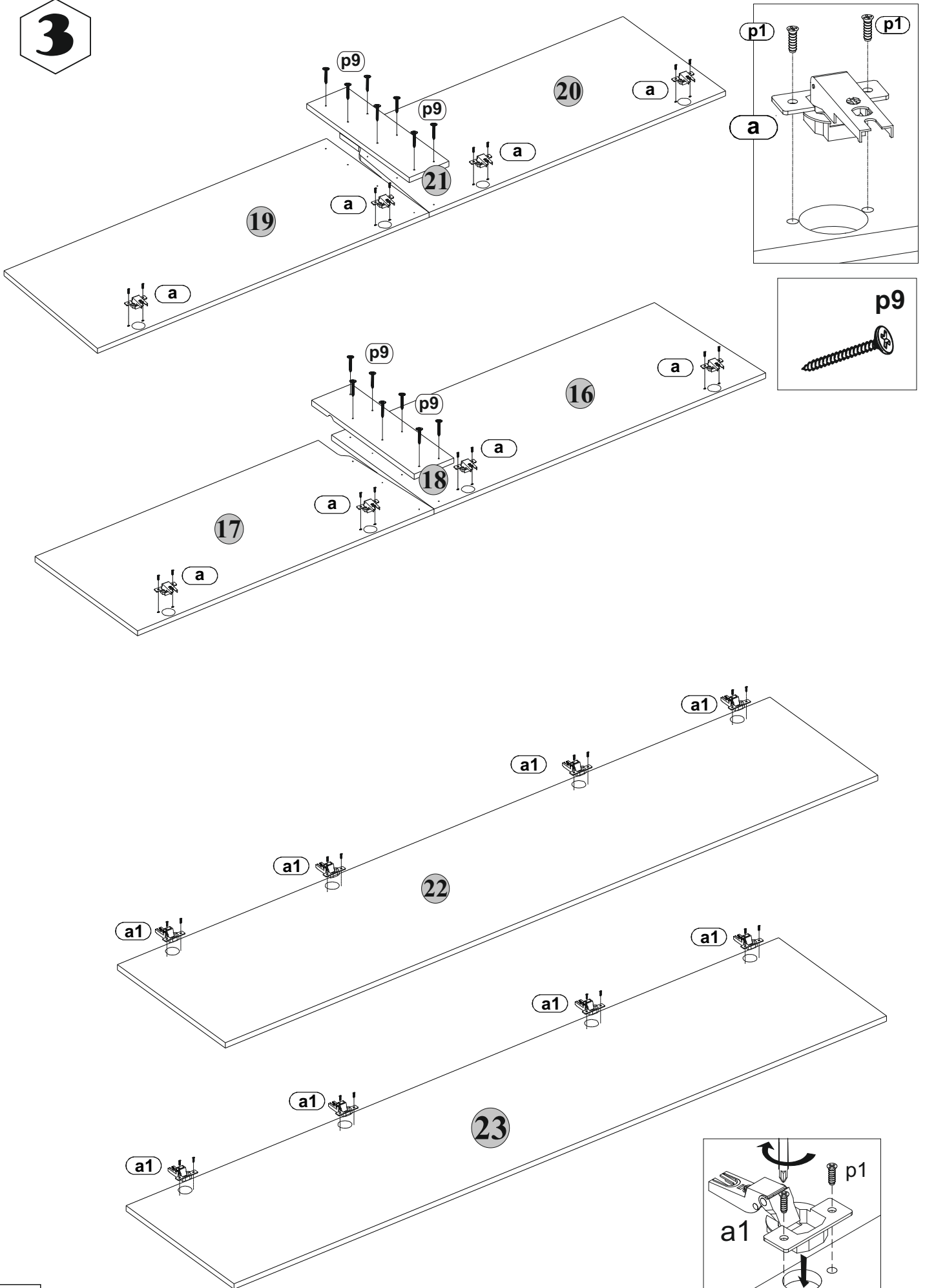
2

2



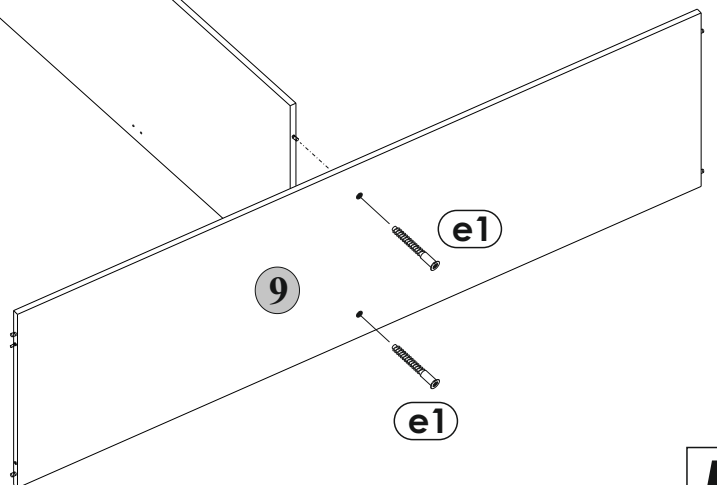
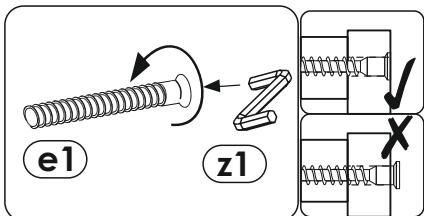
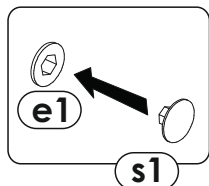
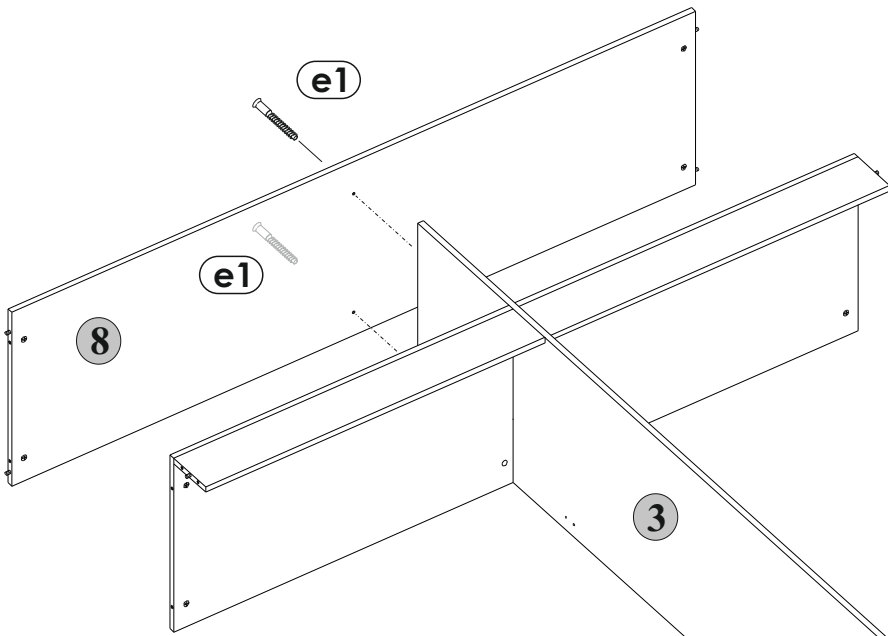
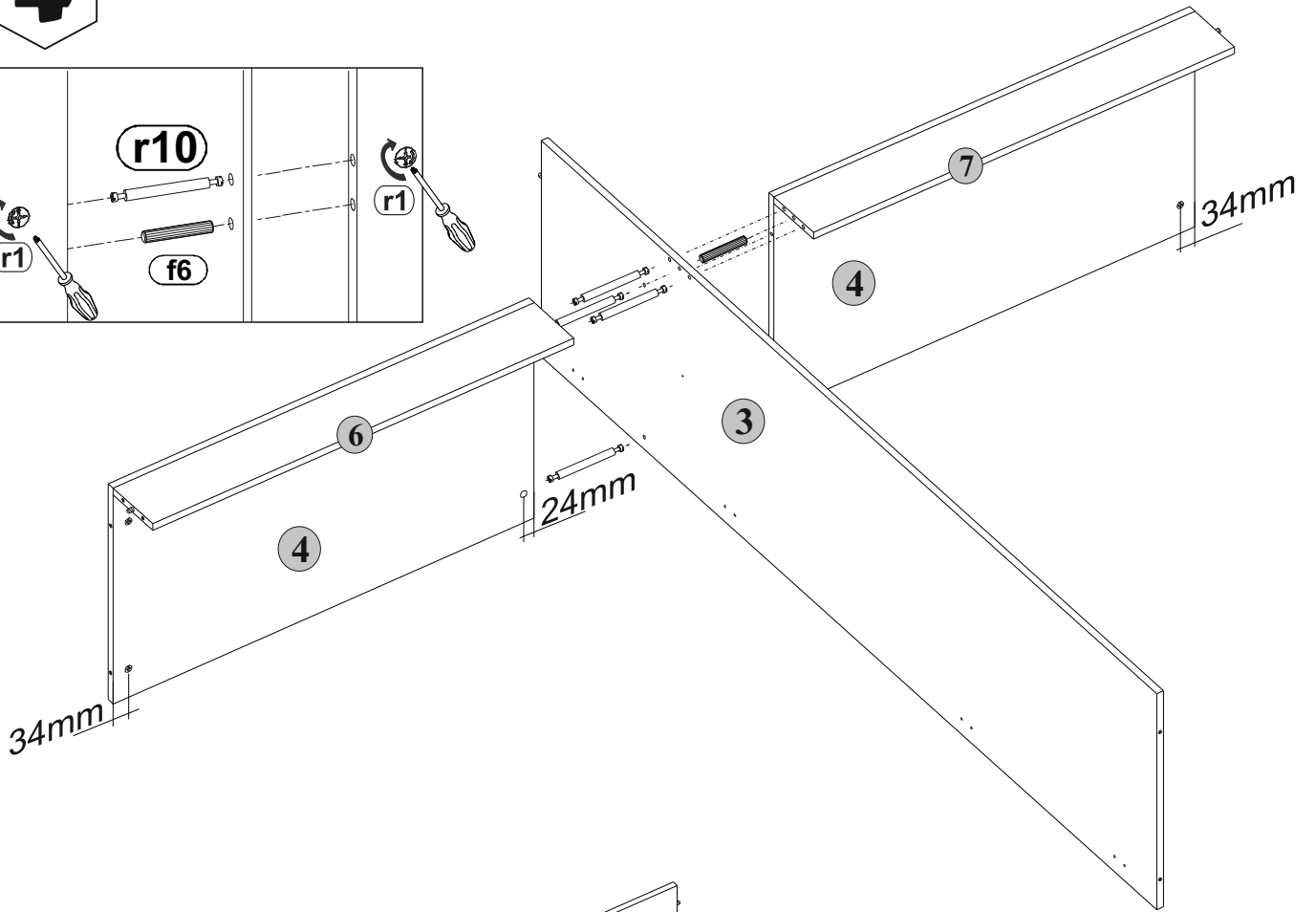
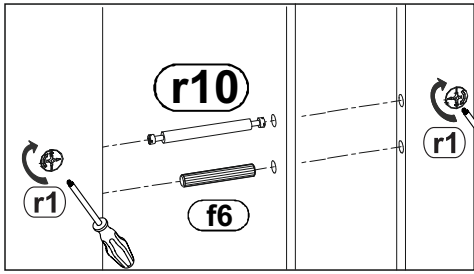
3

3



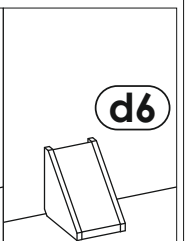
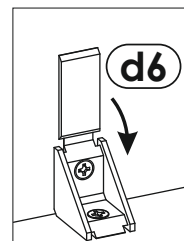
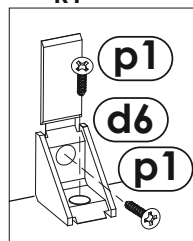
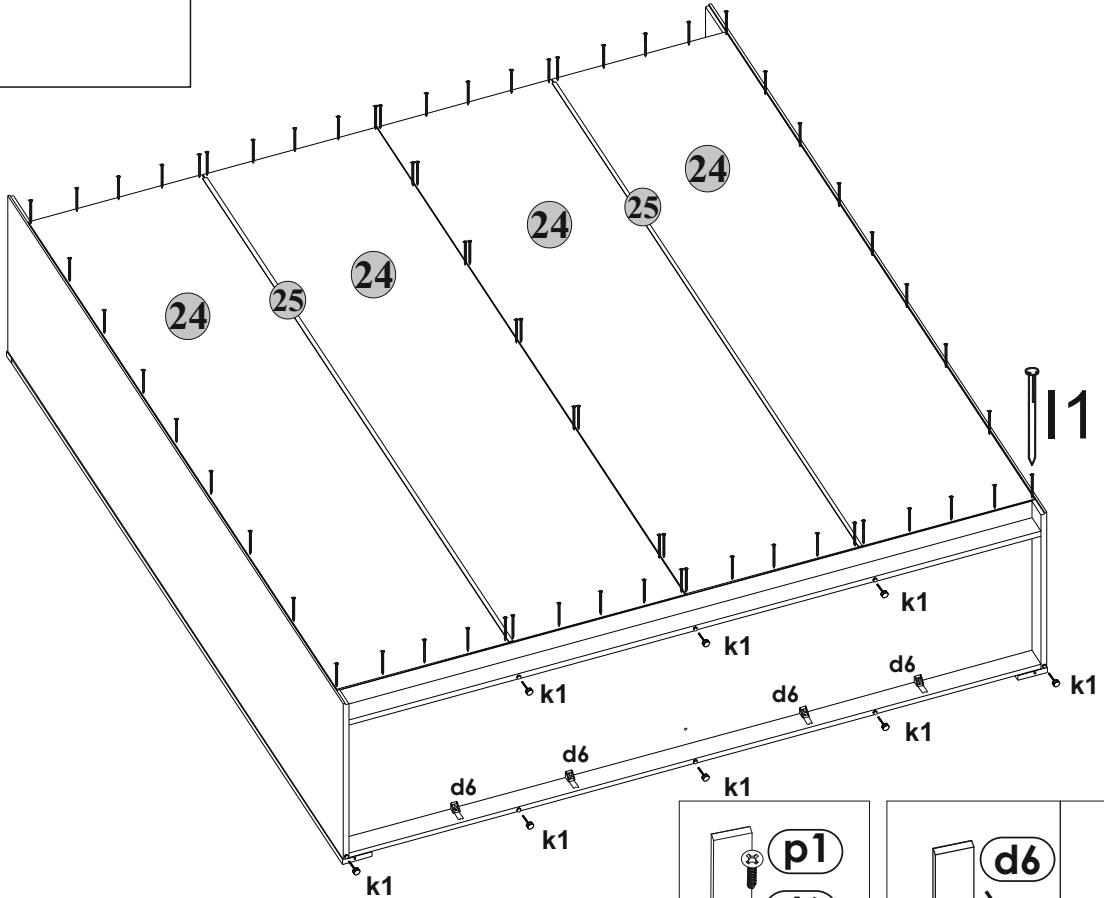
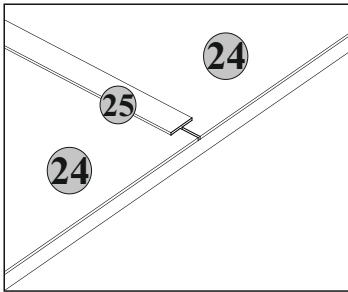
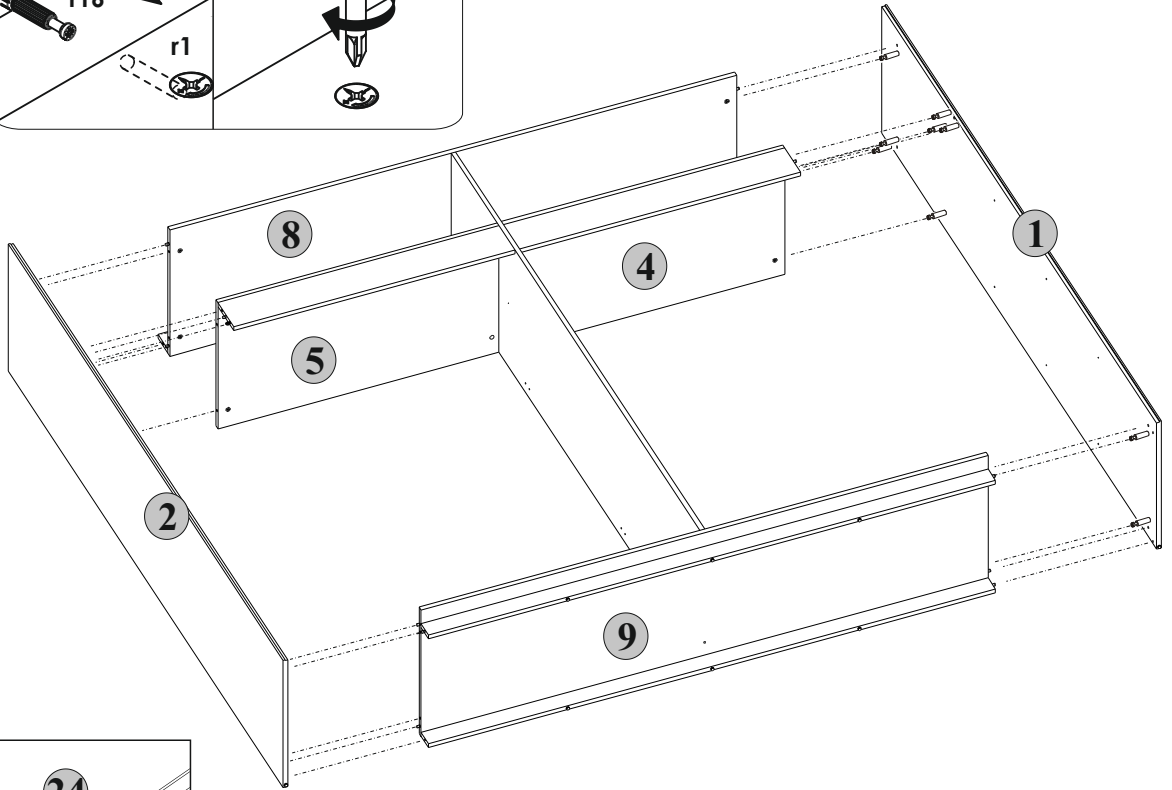
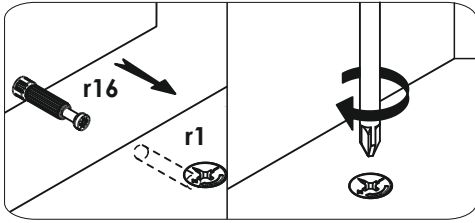
4

4



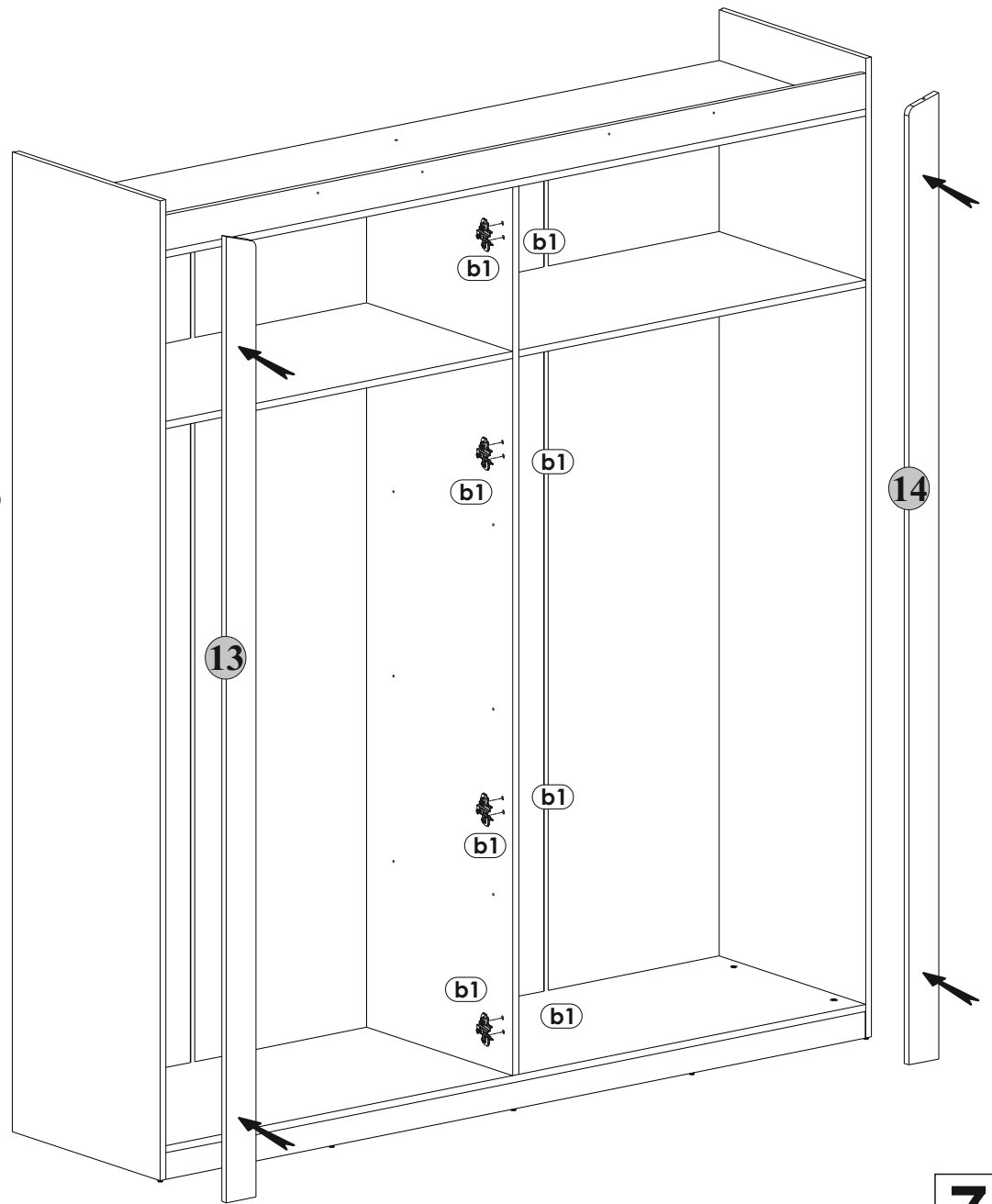
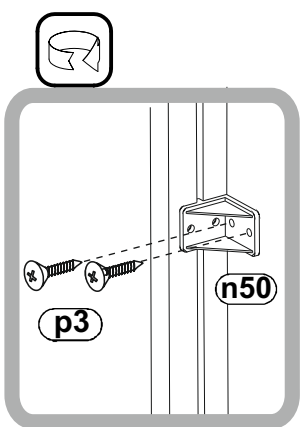
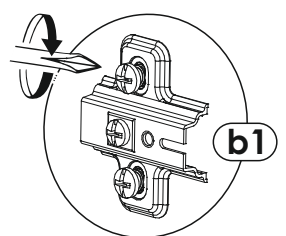
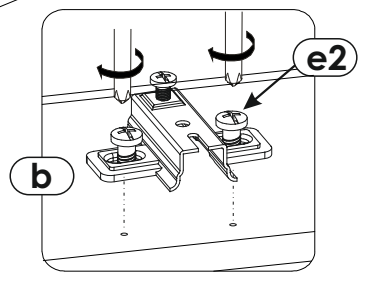
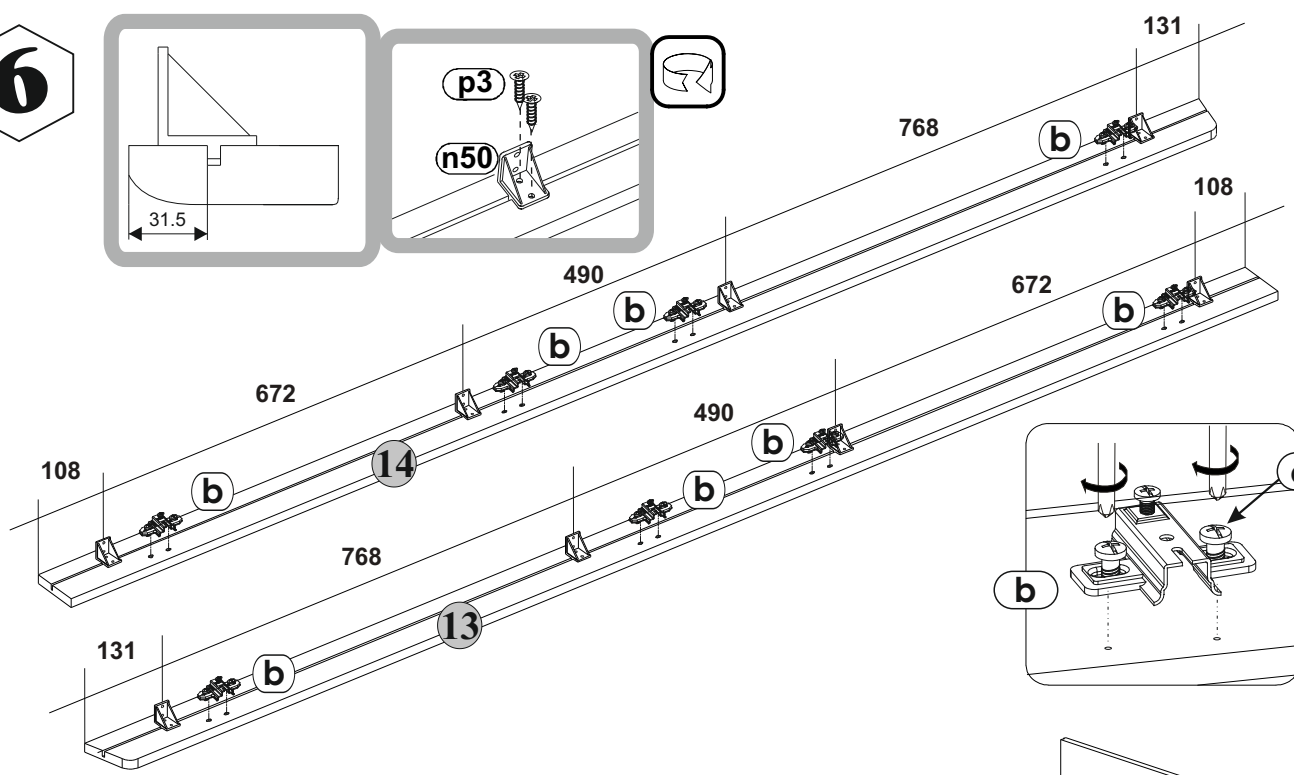
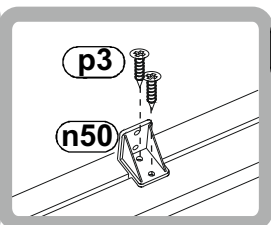
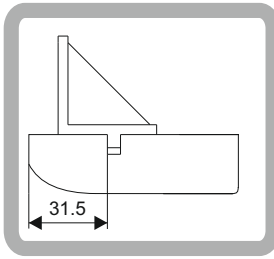
5

5



6

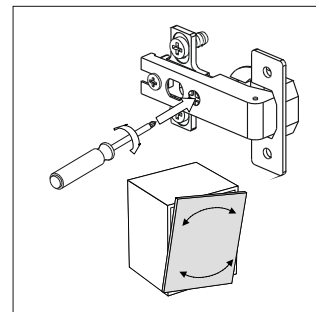
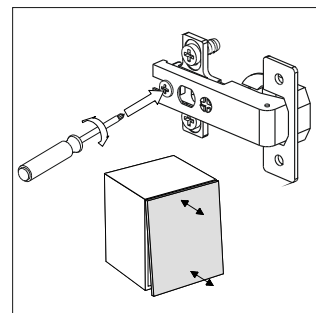
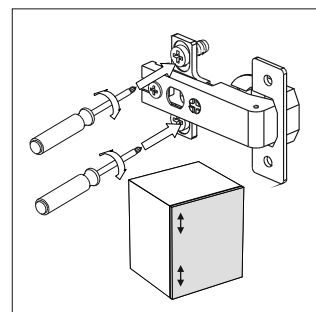
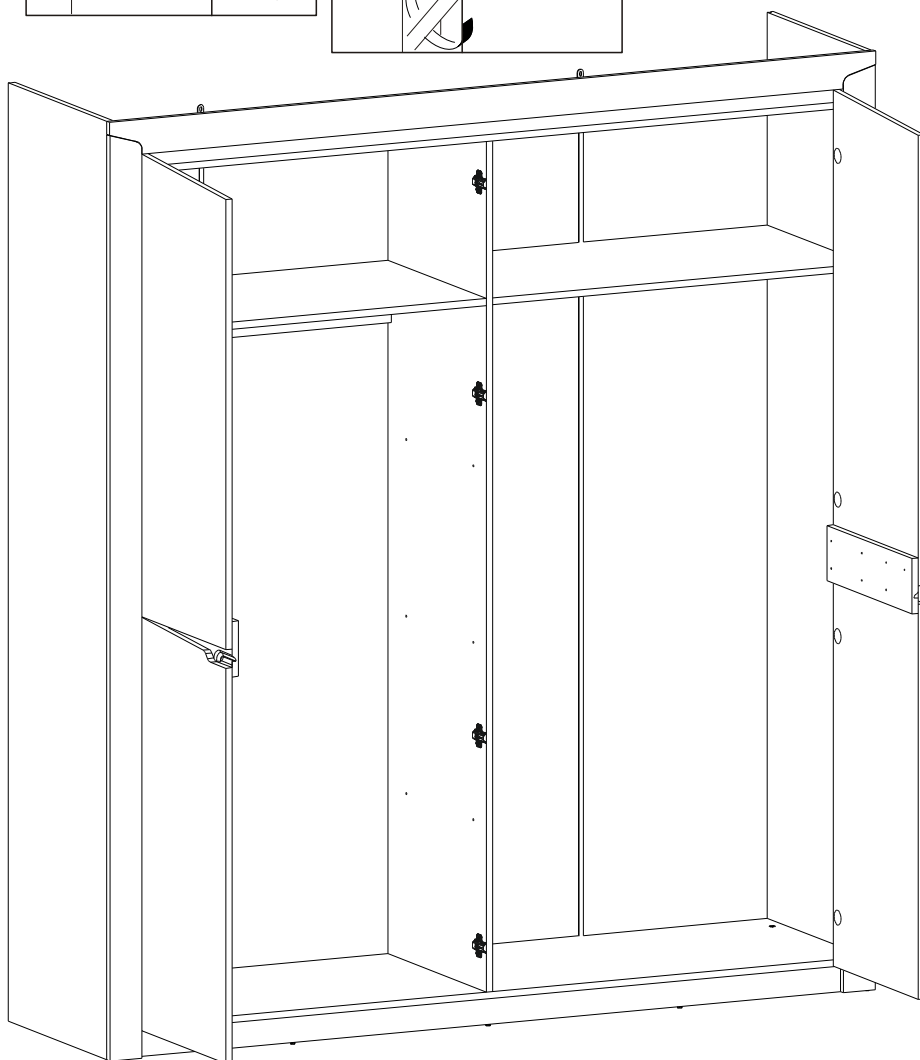
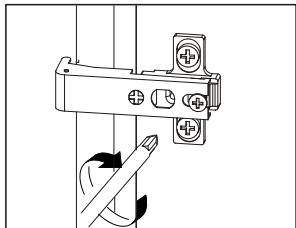
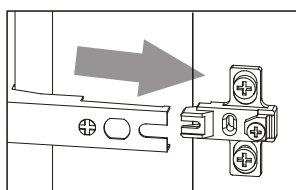
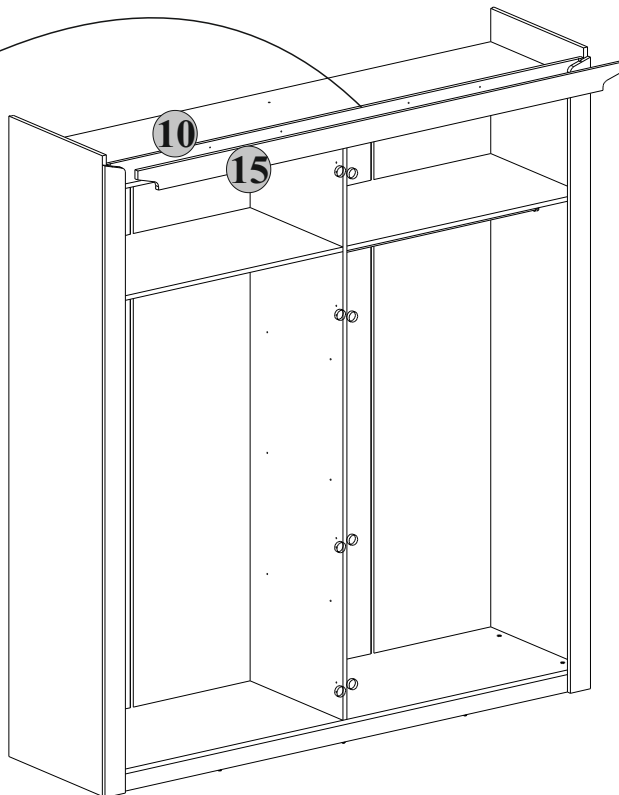
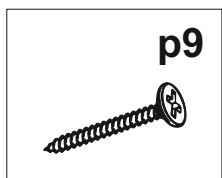
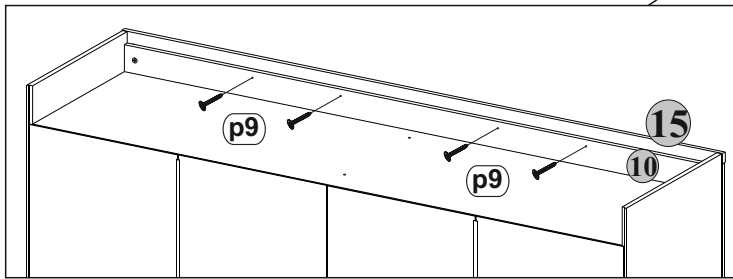
6



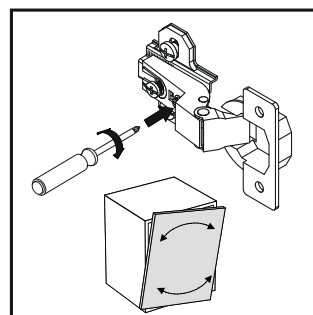
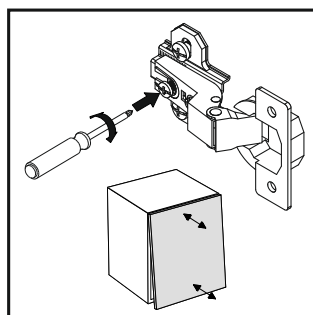
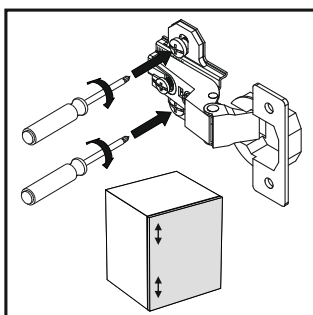
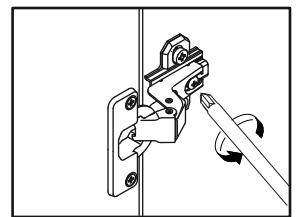
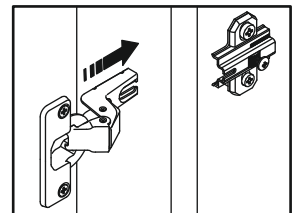
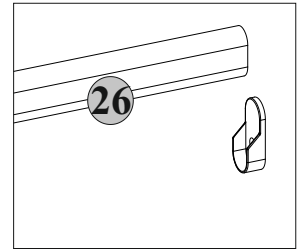
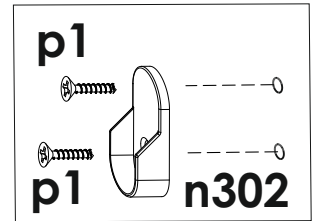
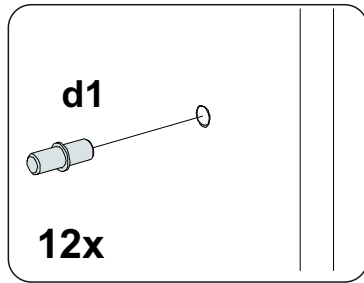
7



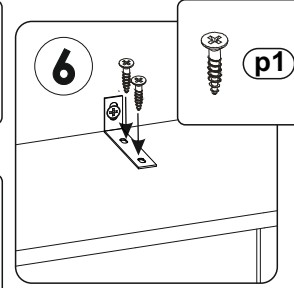
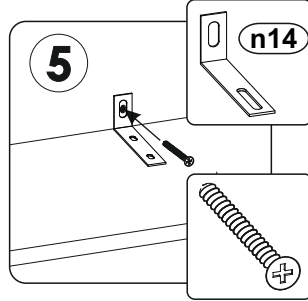
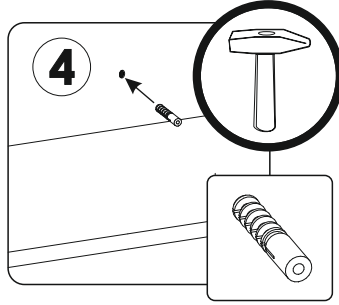
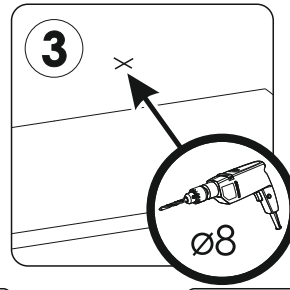
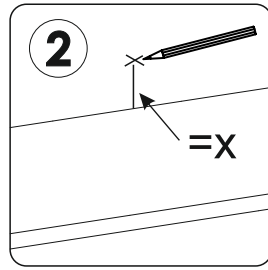
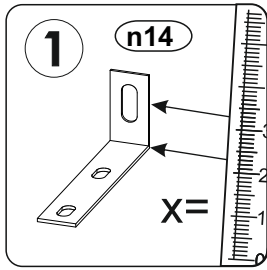
7



8



# 9



# 10