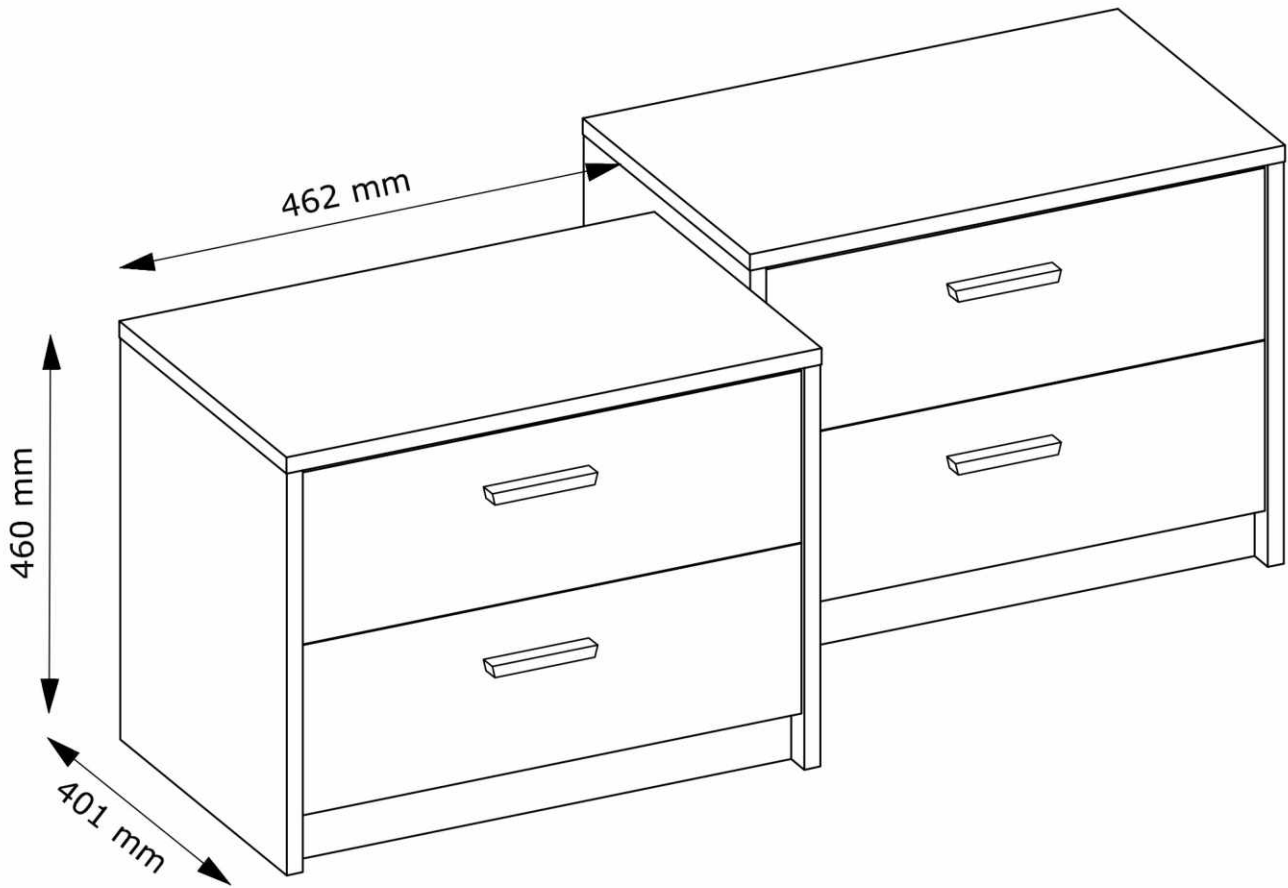
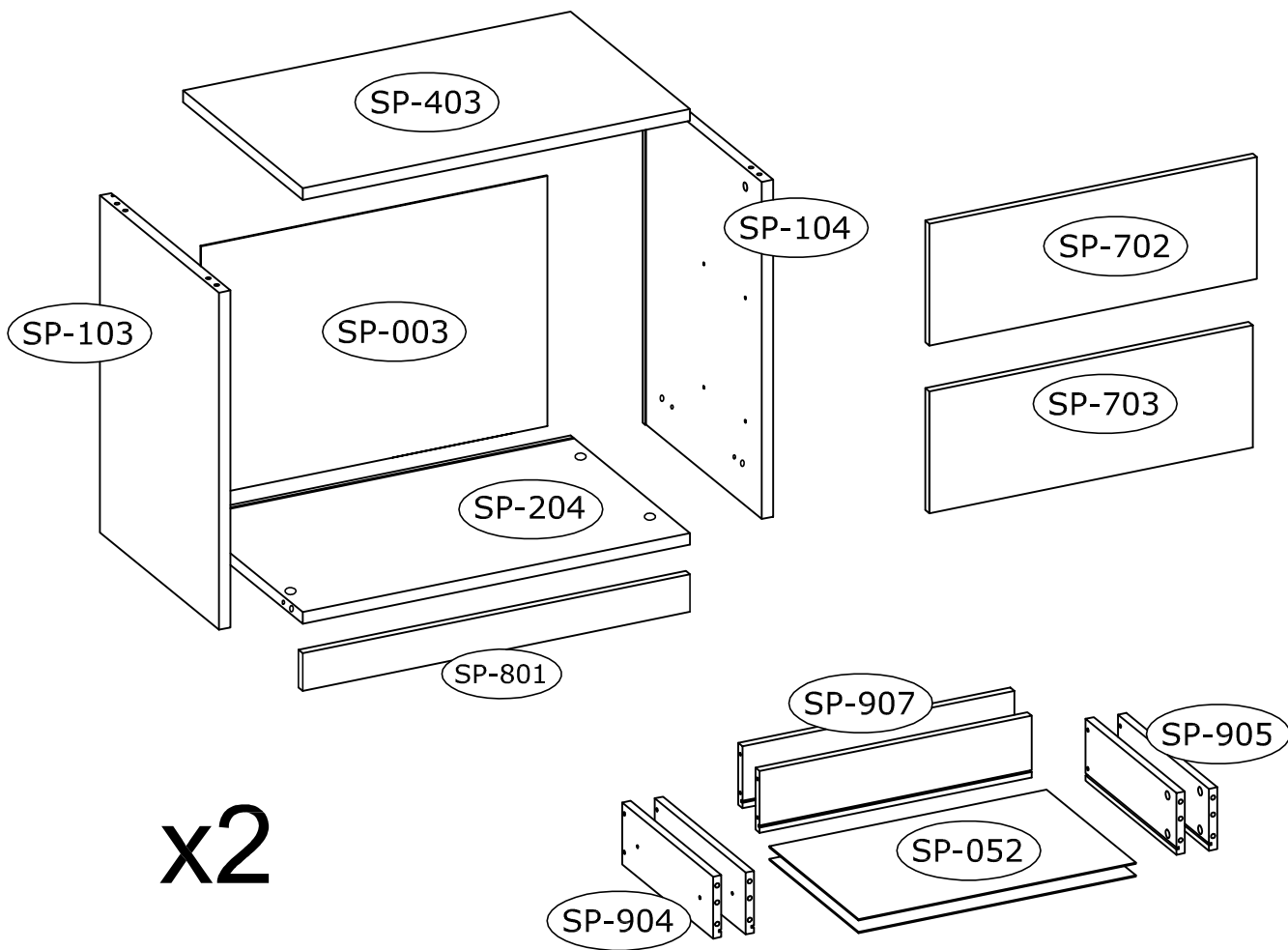
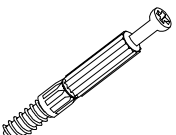

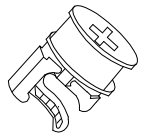
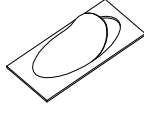
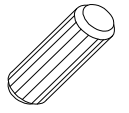
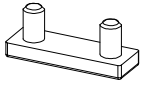

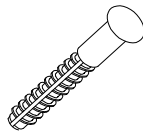
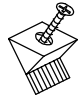
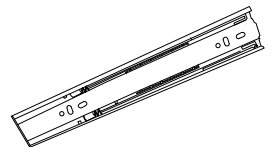

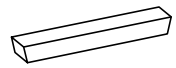


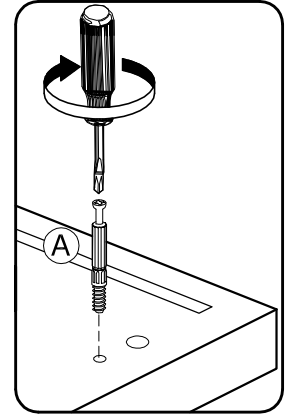
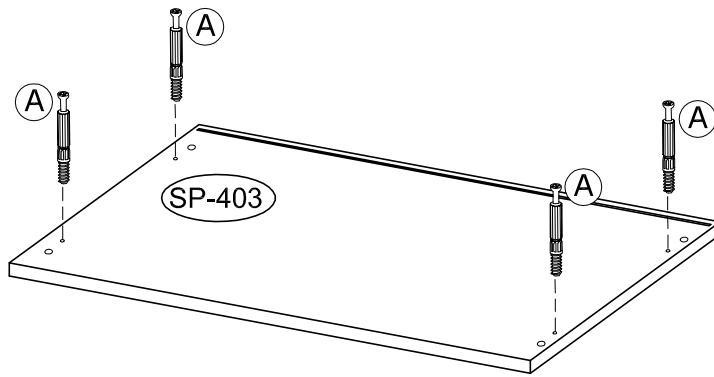
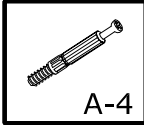
SIMPLA



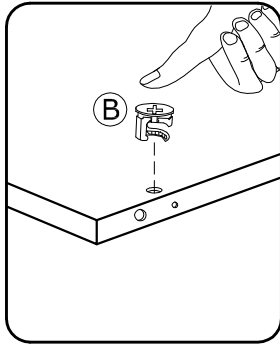
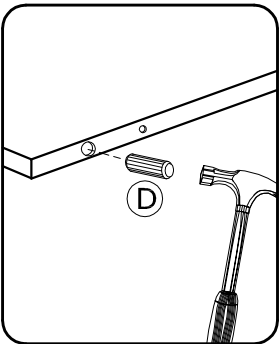
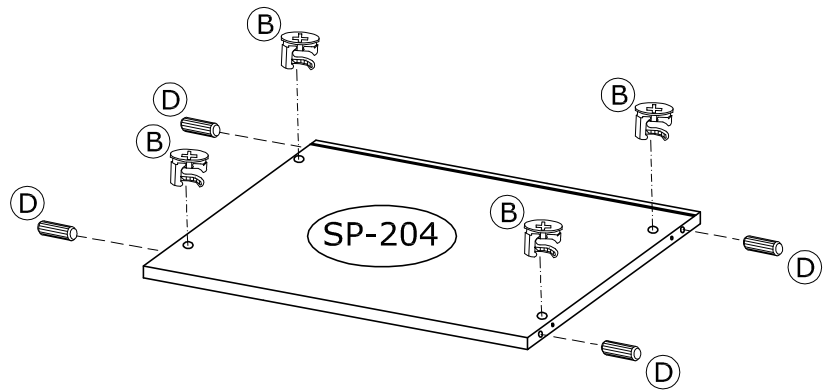
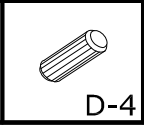
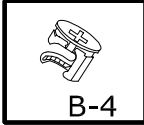


 Ø6.5x36.5mm A-32	 B-24	 Ø15x22mm BB-8	 C-32	 Ø8x30mm D-28
 E-8	 Ø3,5x16mm F-40	 J-16	 ST-8	 M-2 sety
 M4x25mm S-8	 U-4			

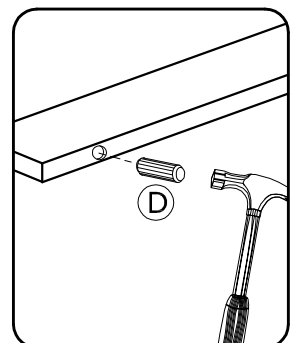
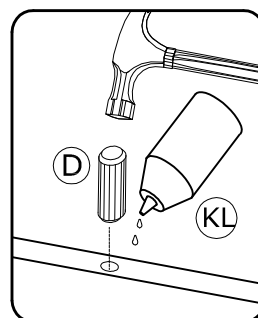
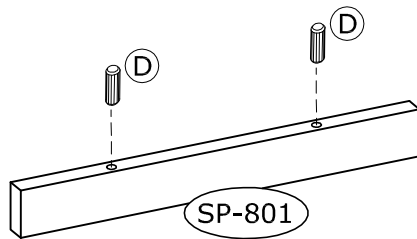
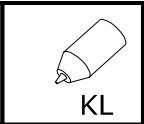
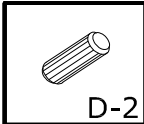
1.



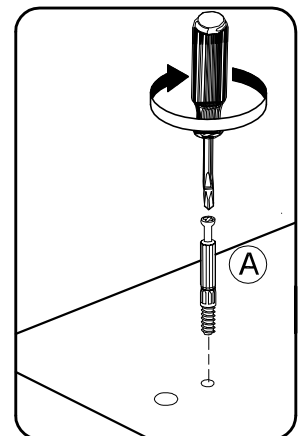
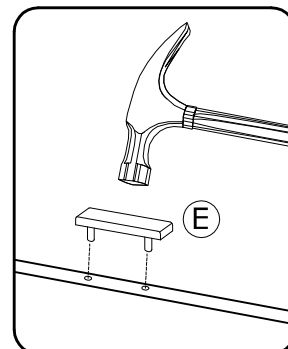
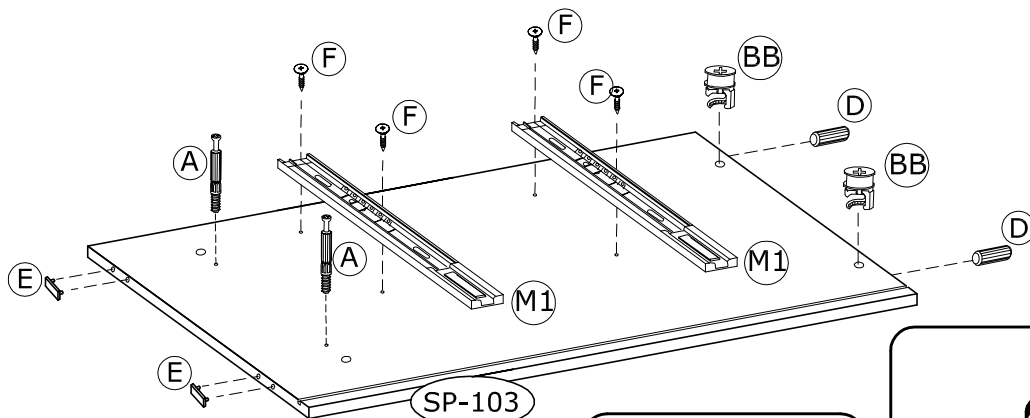
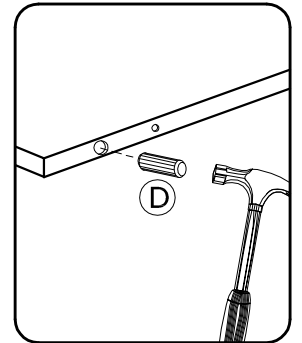
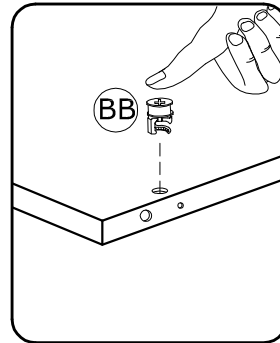
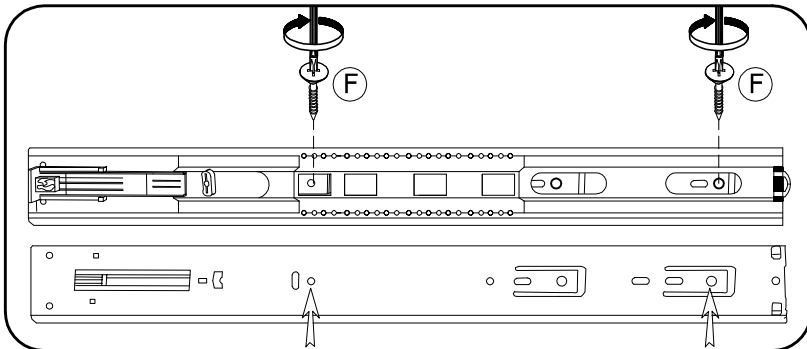
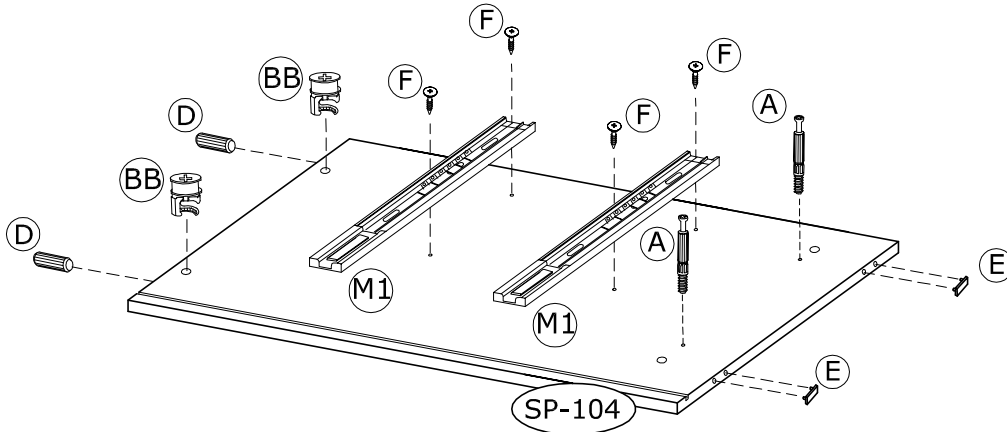
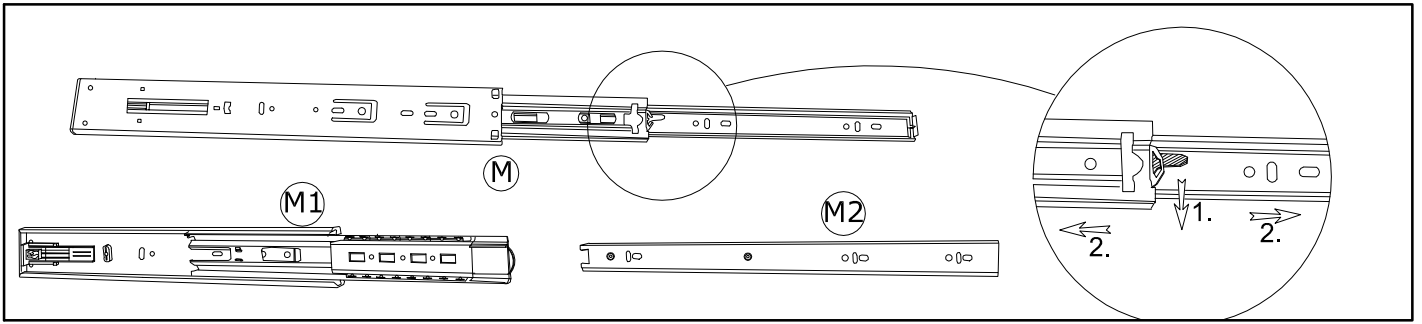
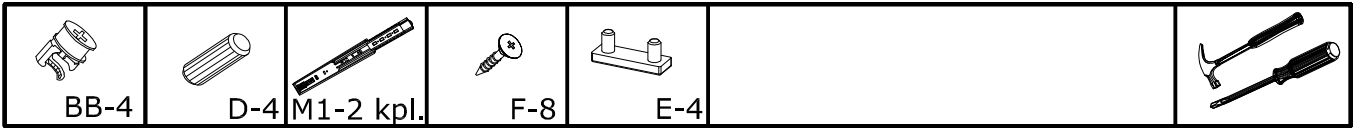
2.



3.



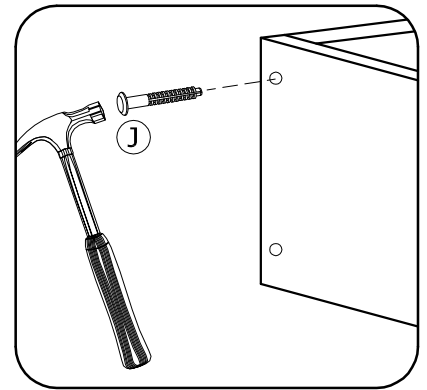
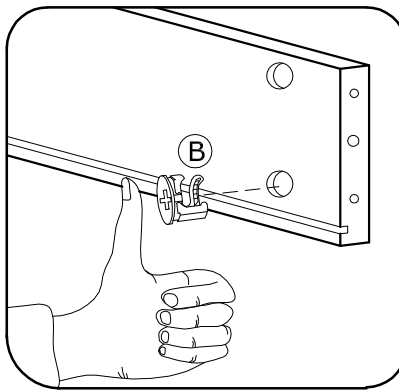
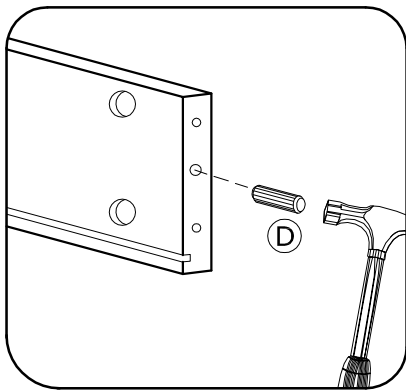
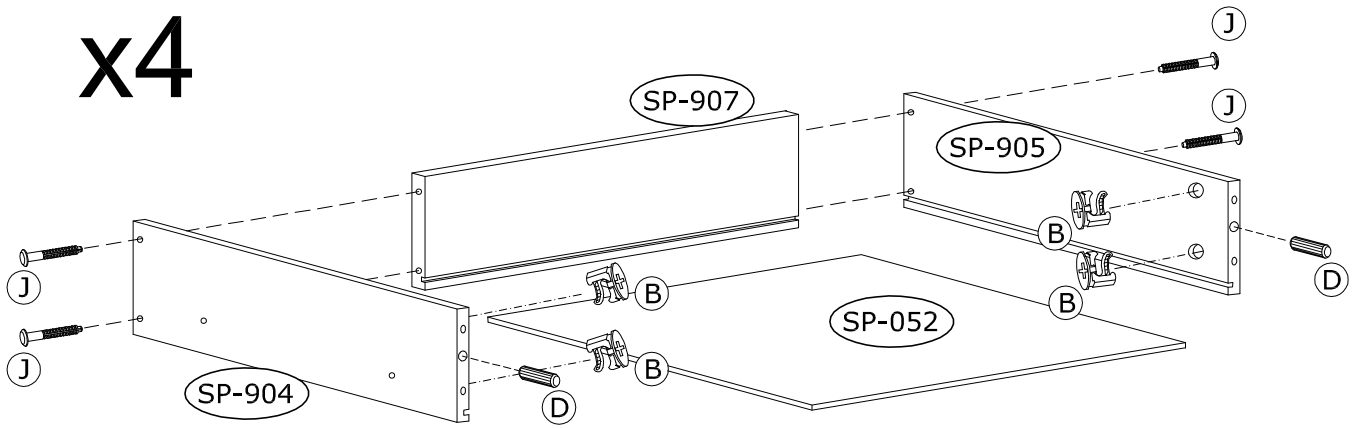
4.



5.



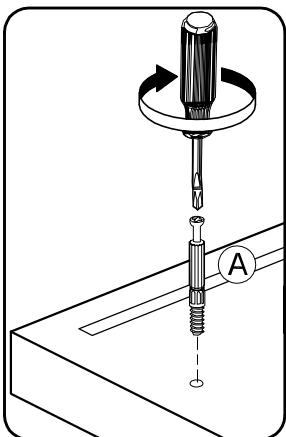
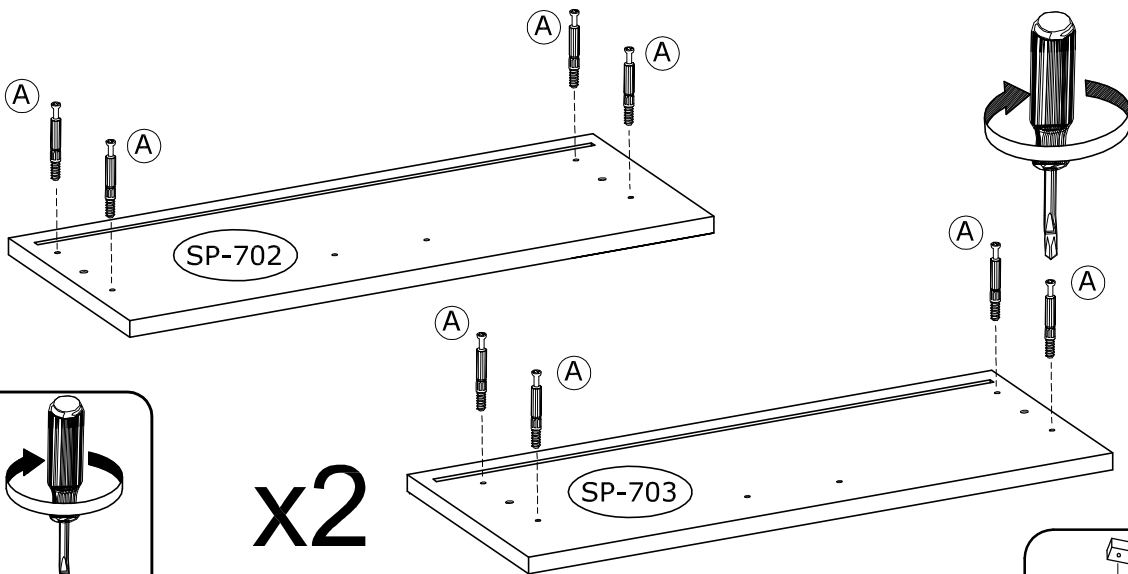
x4



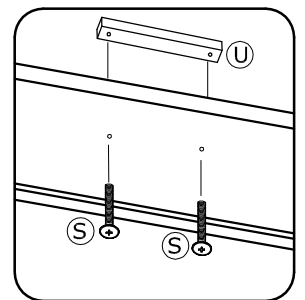
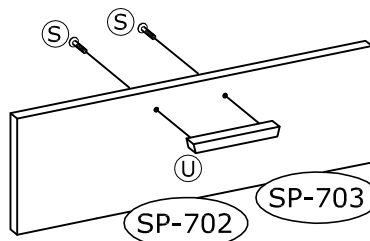
6.



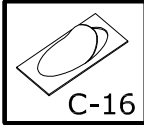
x2



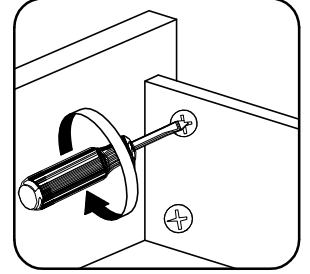
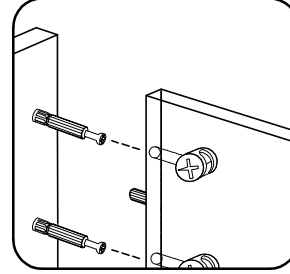
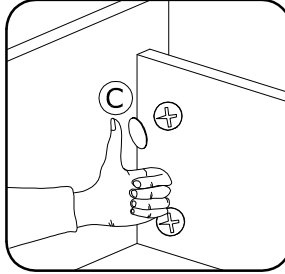
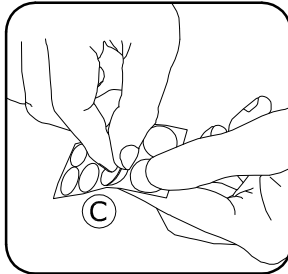
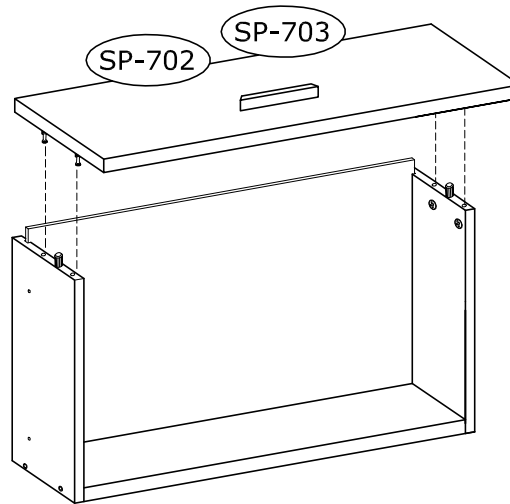
x2



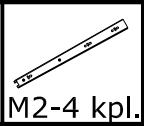
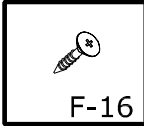
7.



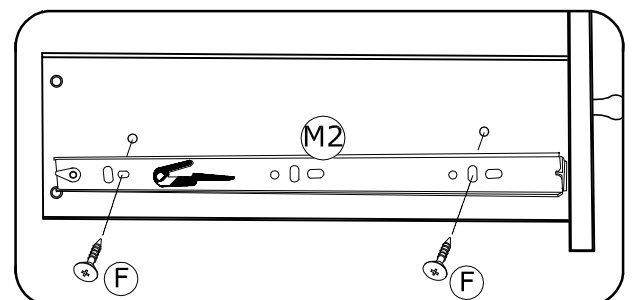
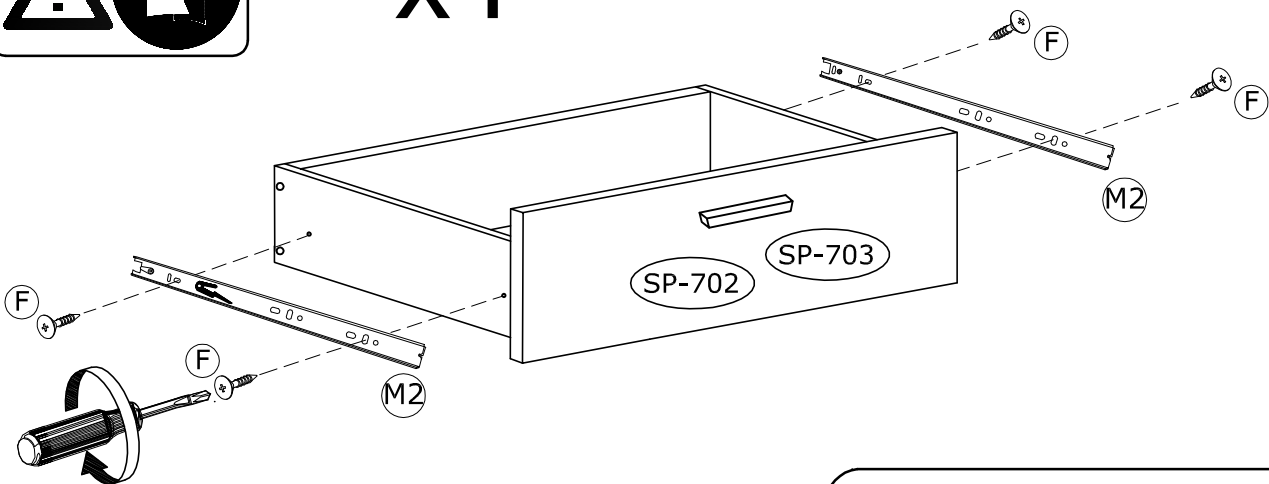
x4



8.



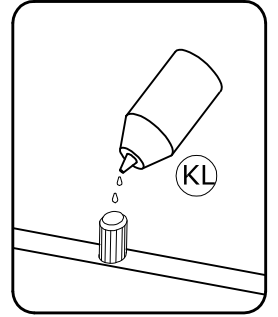
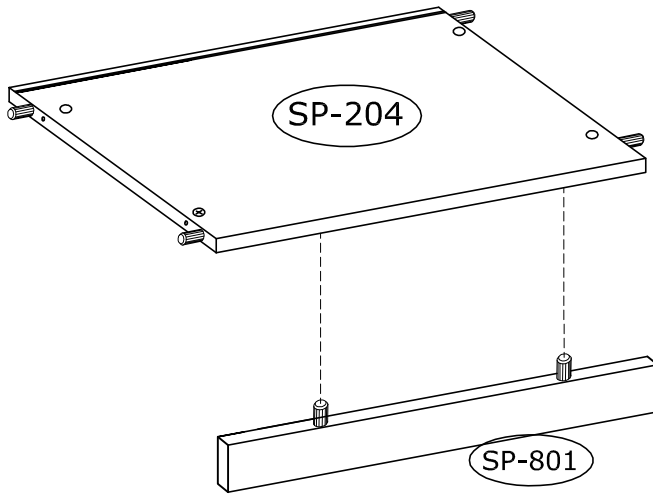
x4



9.



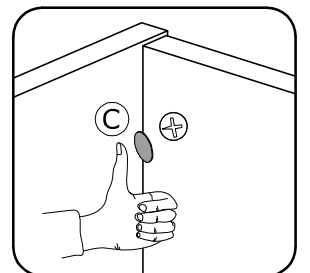
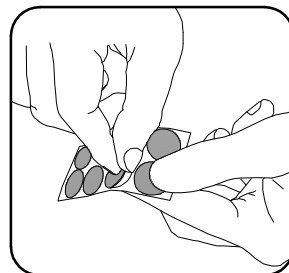
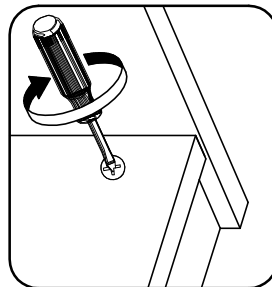
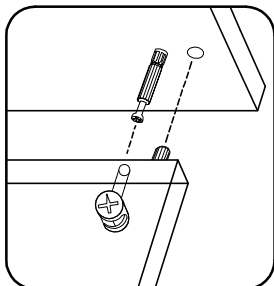
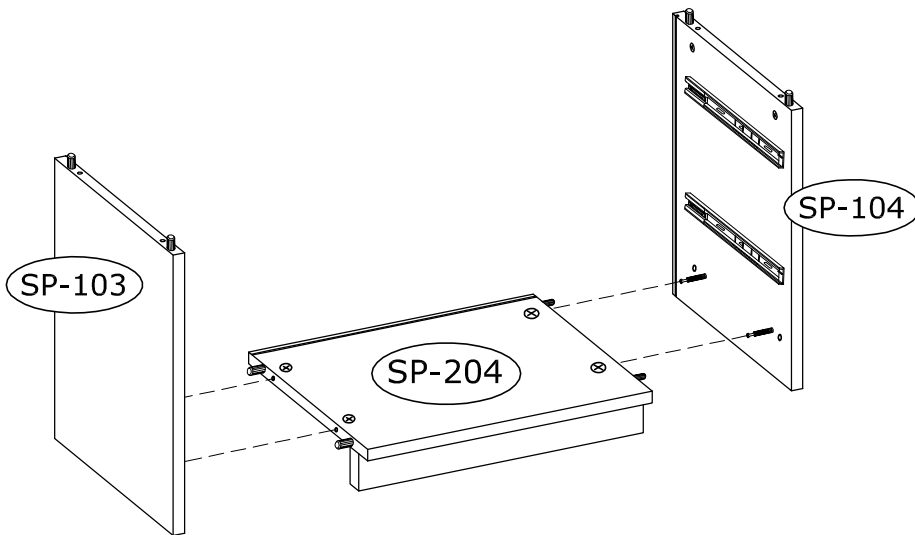
x2



10.

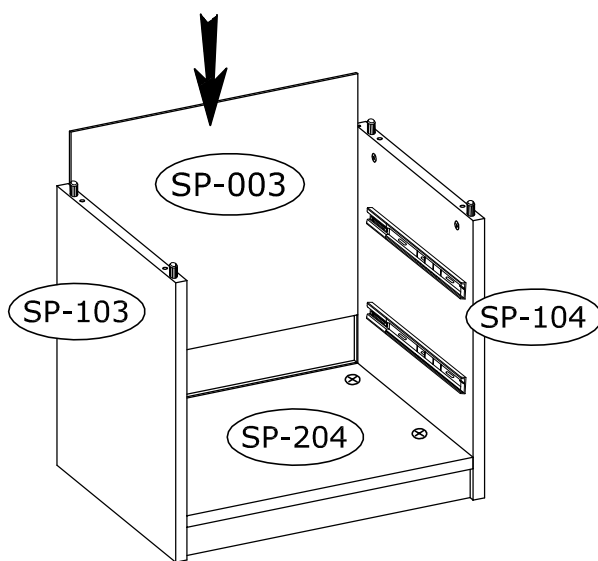


x2



11.

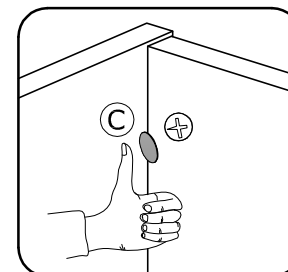
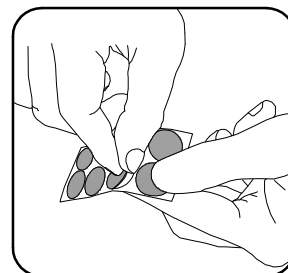
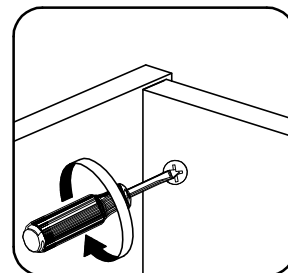
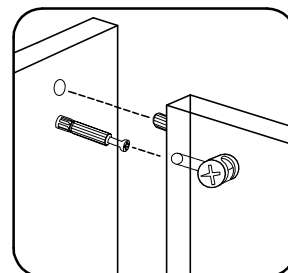
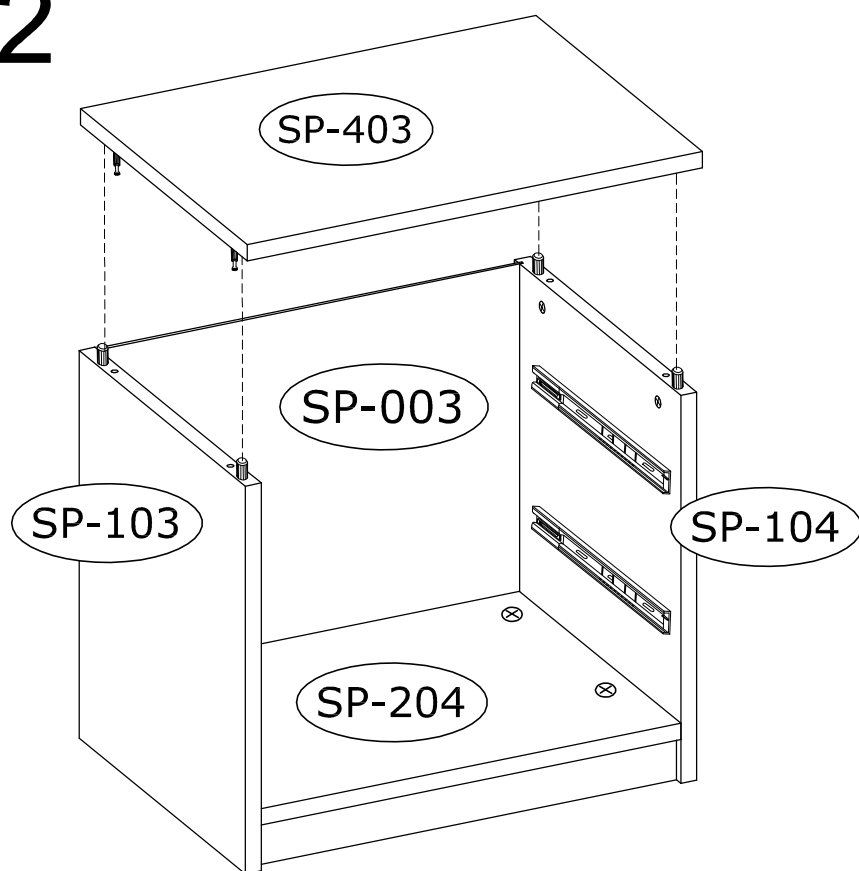
x2



12.



x2

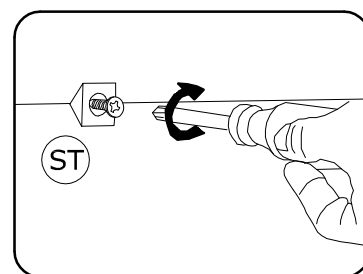
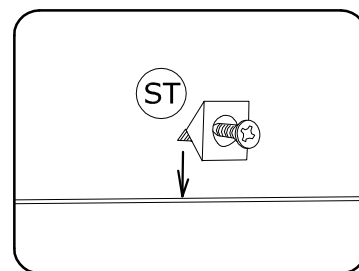
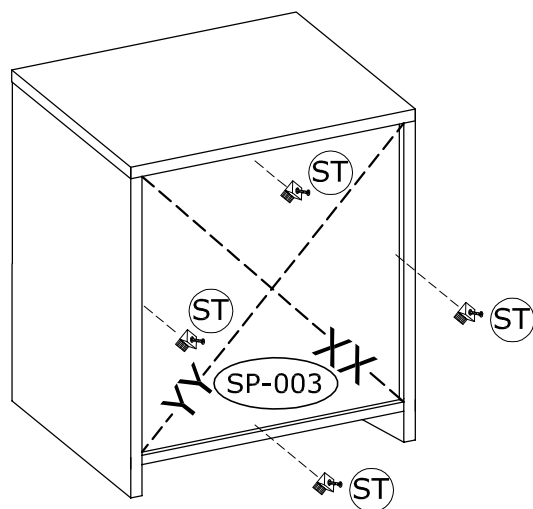


13.



x2

XX = YY



14.



x2

