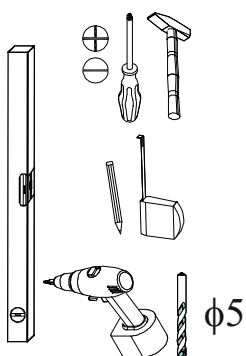
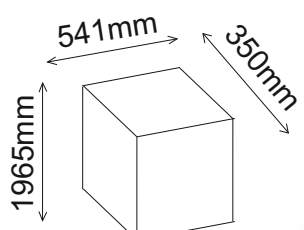
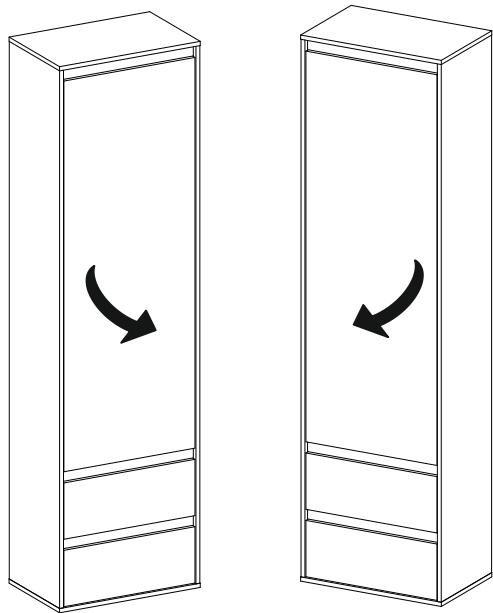
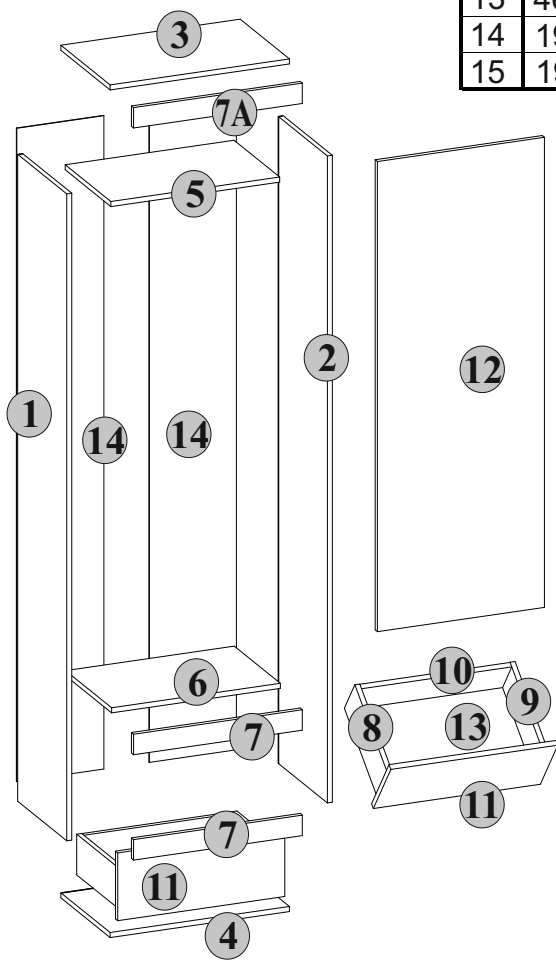


Pen-Box 1D2Drw

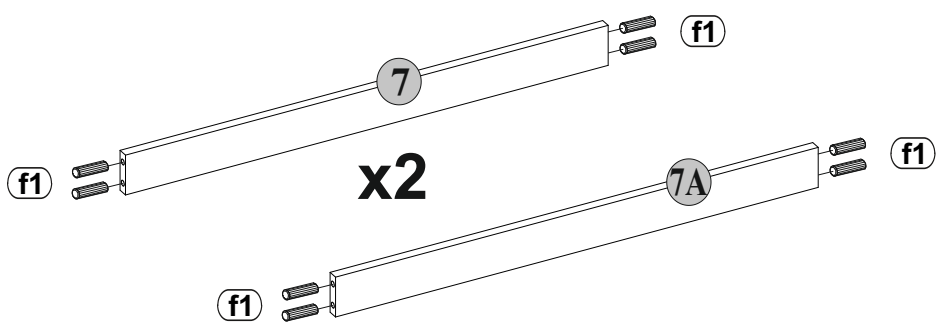
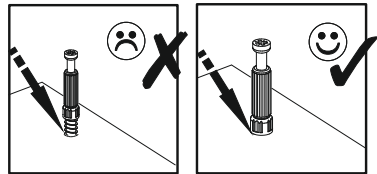
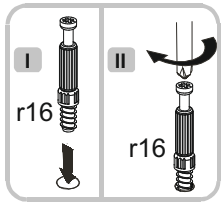
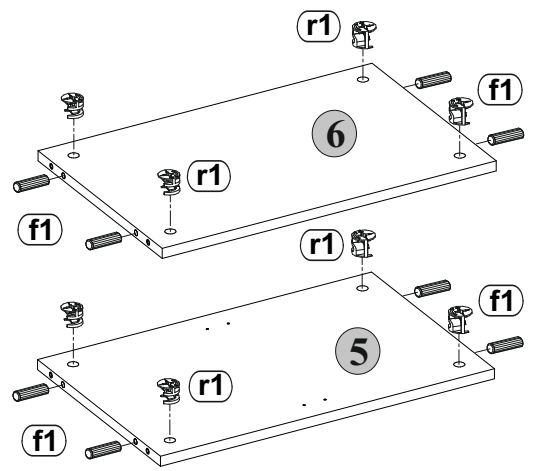
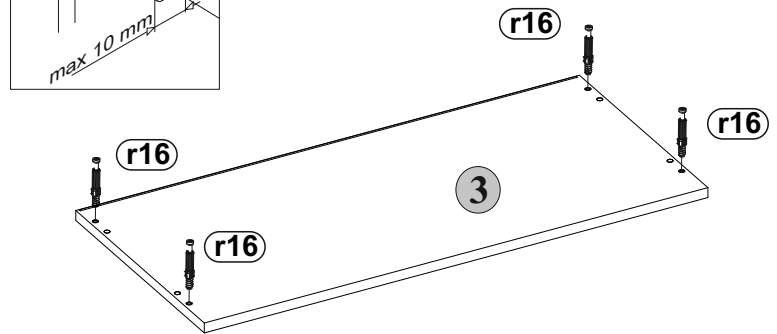
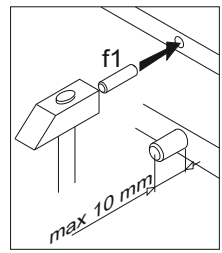
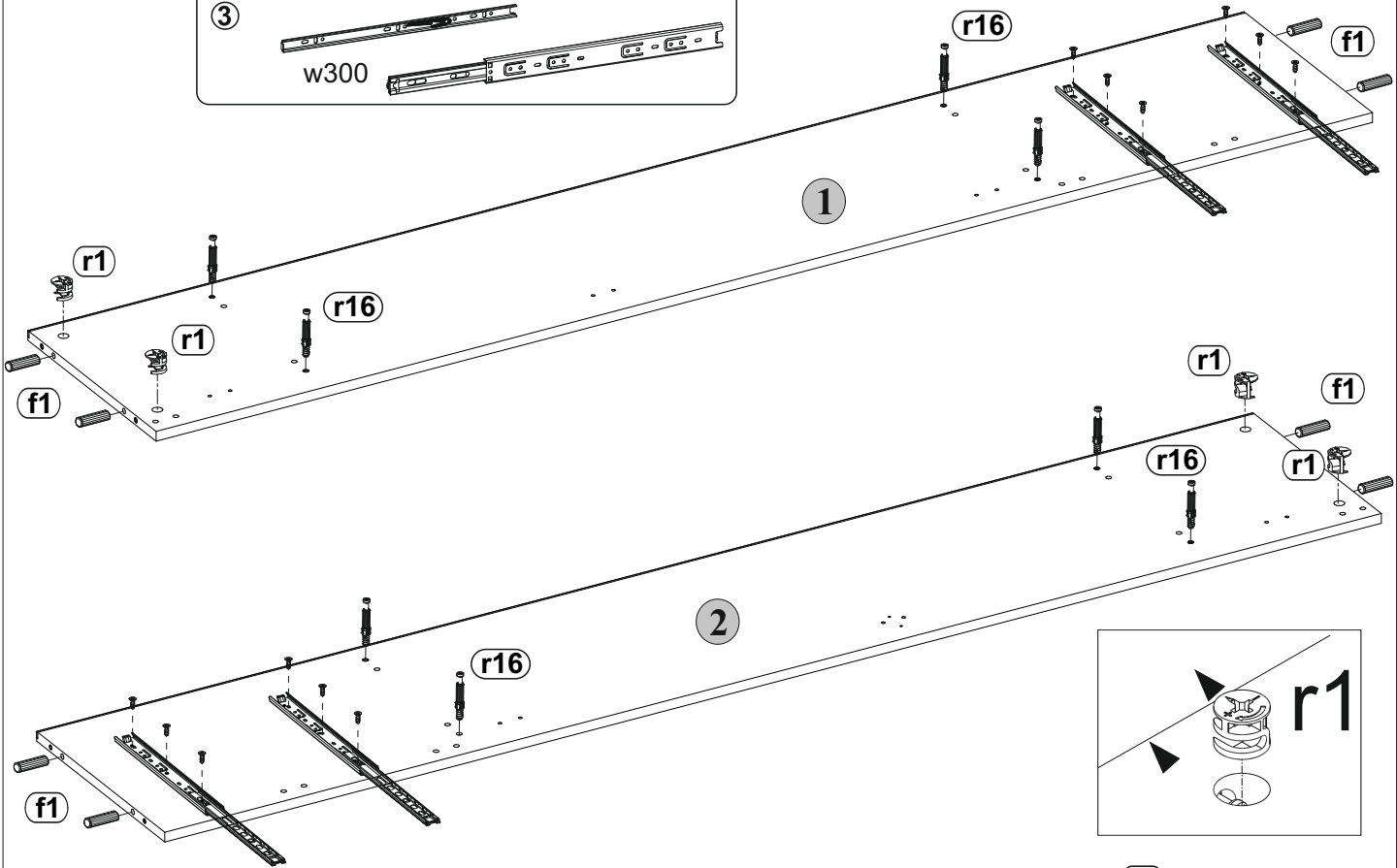
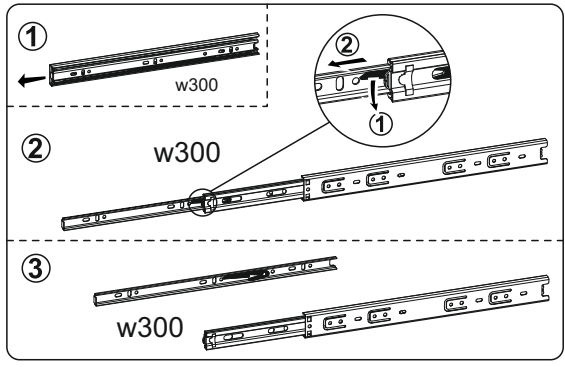
R **L**



number	Measurements	Pcs.
1	1915x349	1
2	1915x349	1
3	541x350	1
4	541x350	1
5	510x325	1
6	510x328	1
7,7A	510x60	3
8	300x120	2
9	300x120	2
10	454x120	2
11	504x200	2
12	1391x504	1
13	464x295	2
14	1934x263	2
15	1900x	1

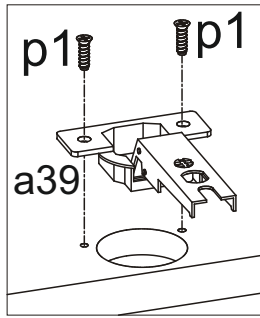
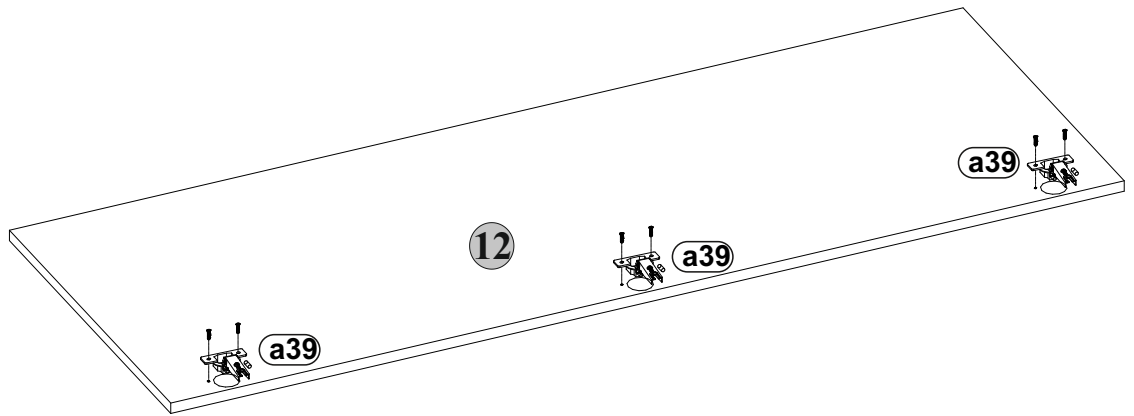


4x k19	8x φ4x20 mm p36	2x w300	3x a39	3x b3
1x z1	44x φ8x30 mm f1	1x m6	80x l1	34x φ3.5x13 mm p1
16x φ15 #16 r1	16x r16	16x s2	8x 7x50 e1	6x φ6.3x13 mm e2
			8x s1	

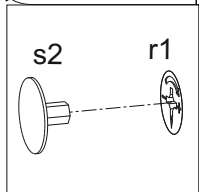
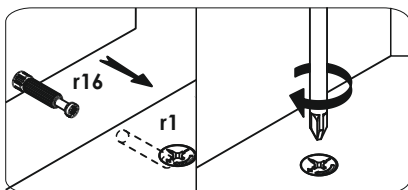
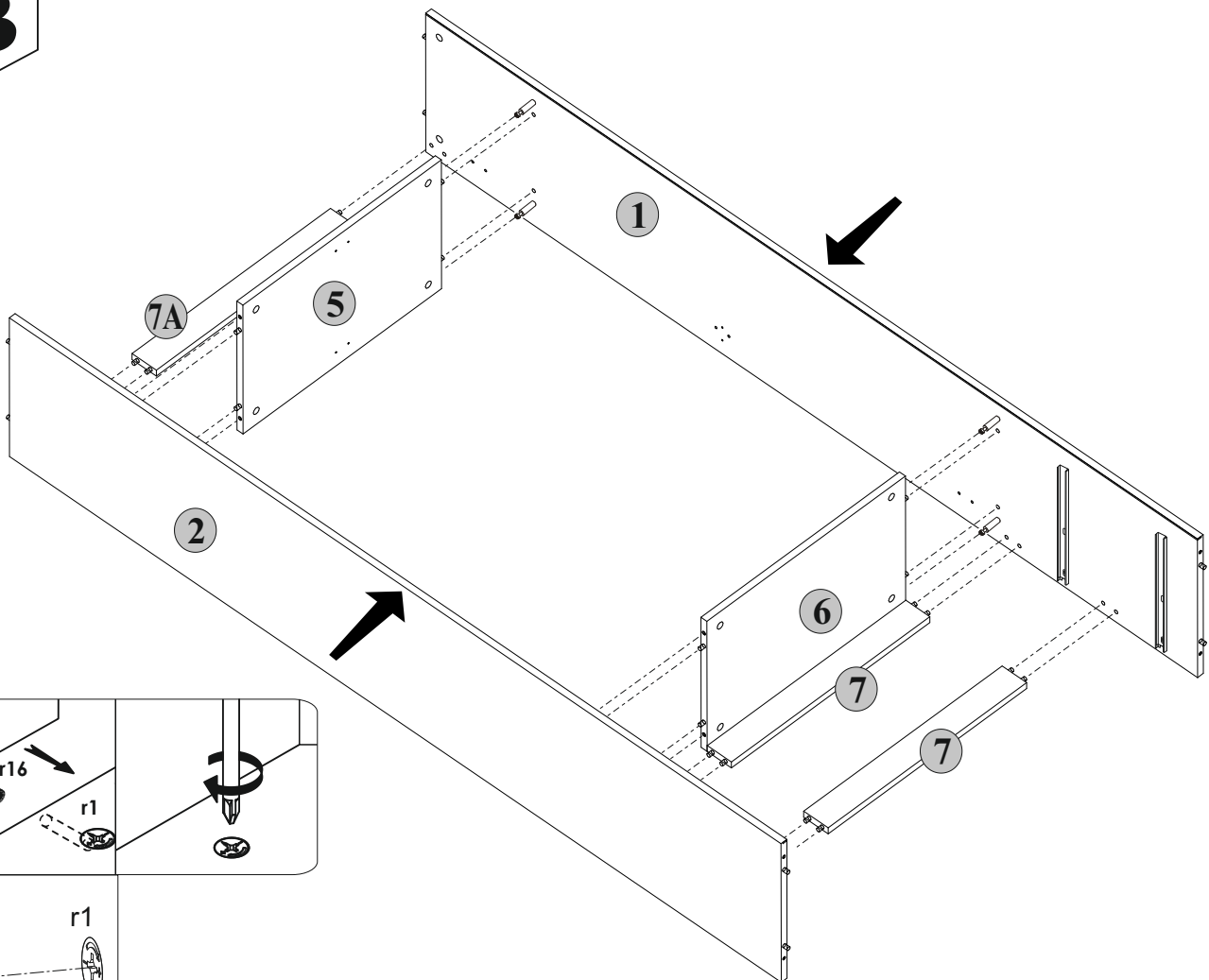


2

2

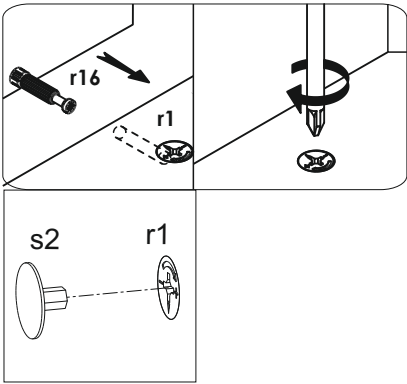
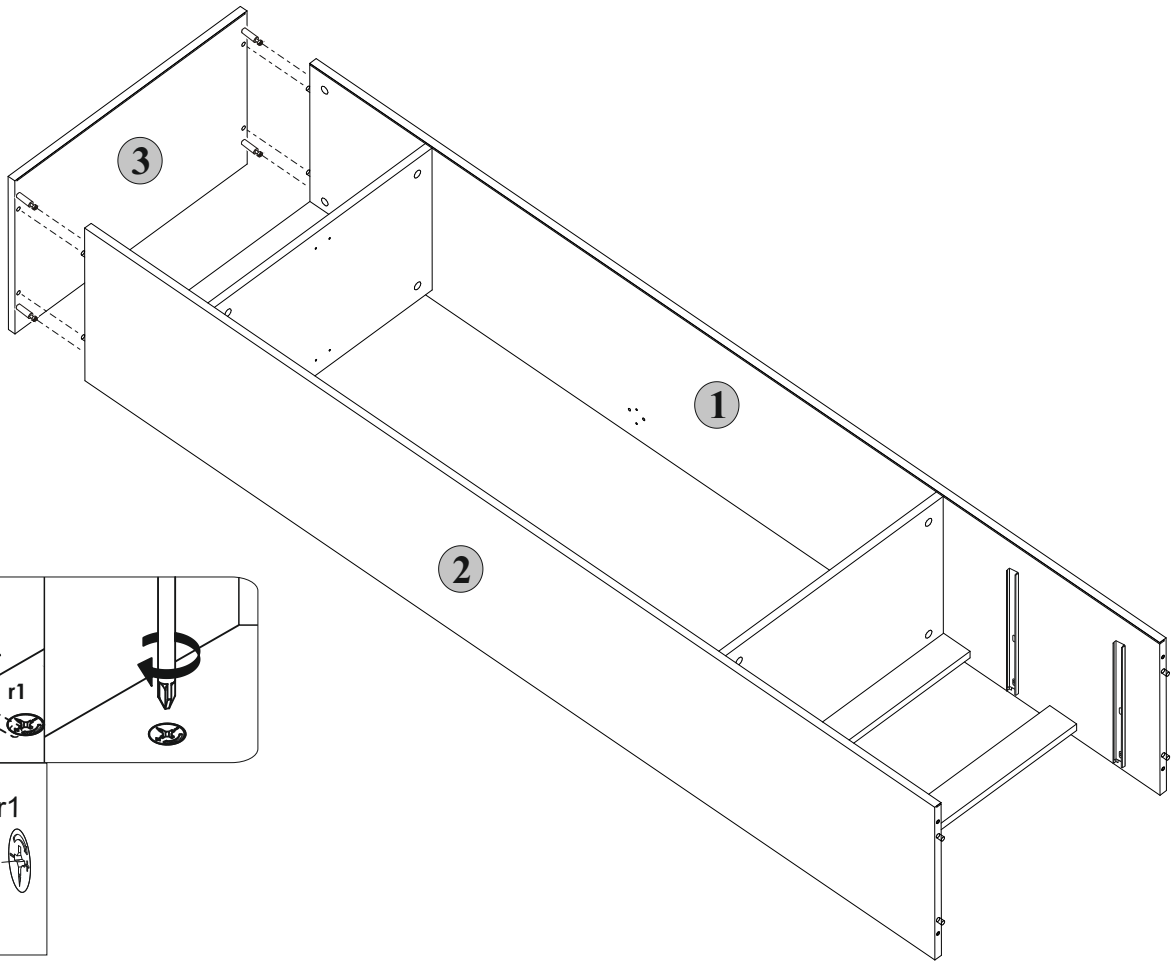


3

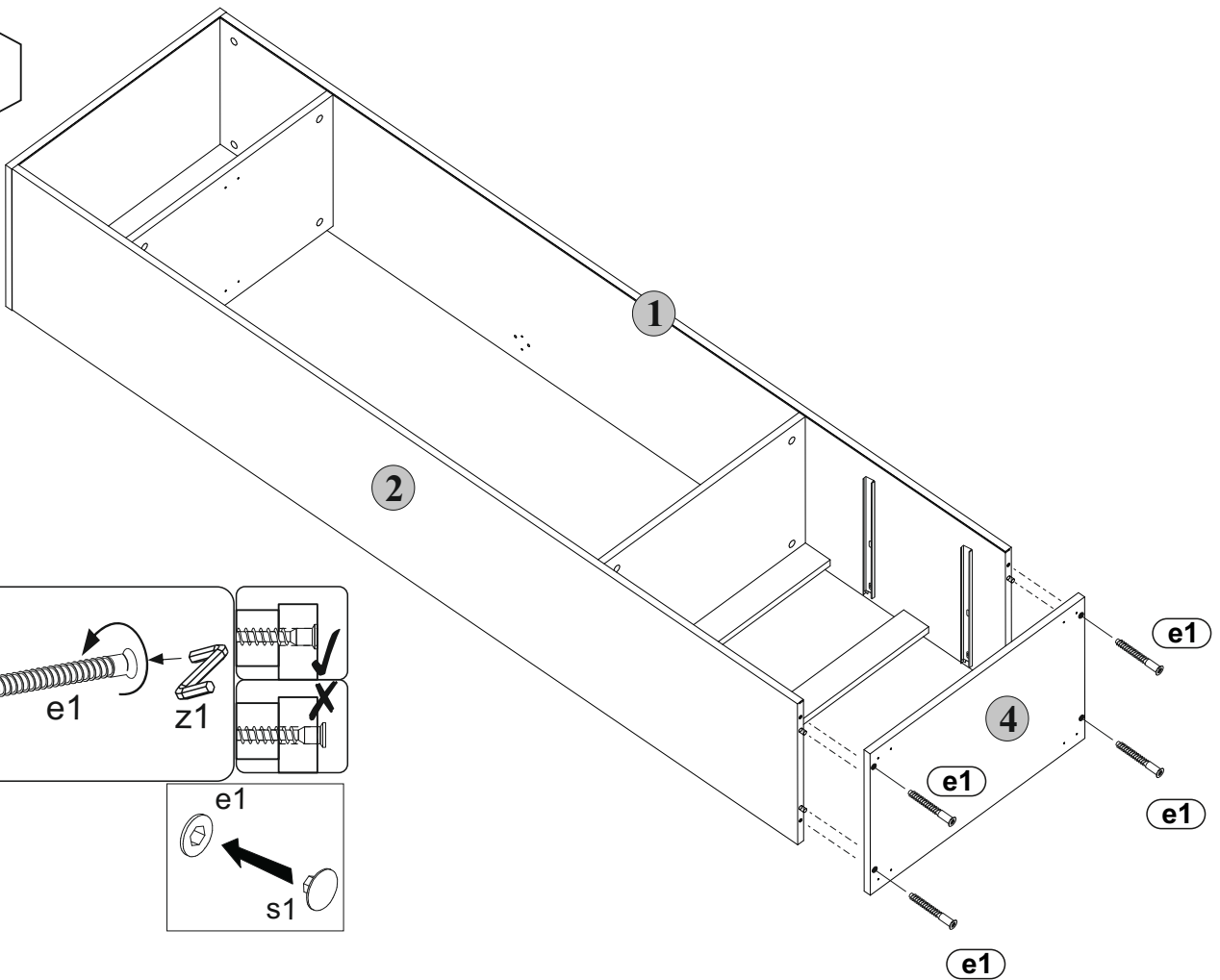


3

4

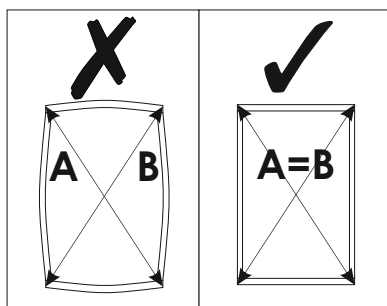
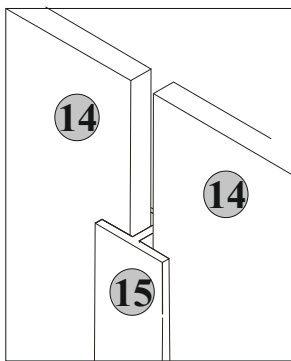
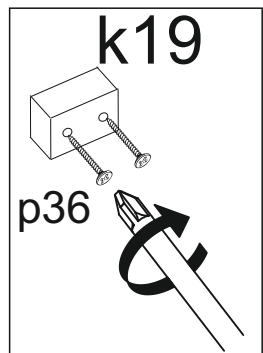
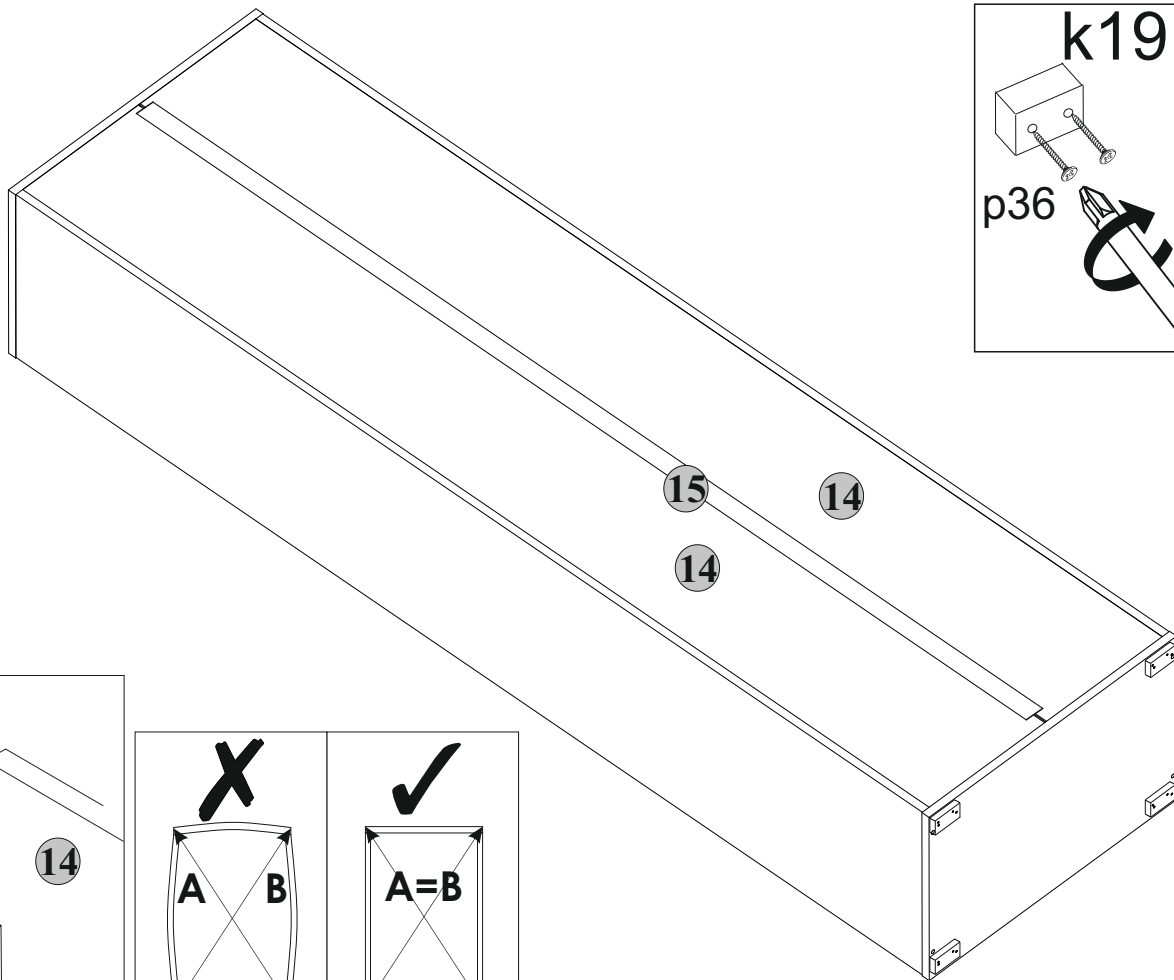


5

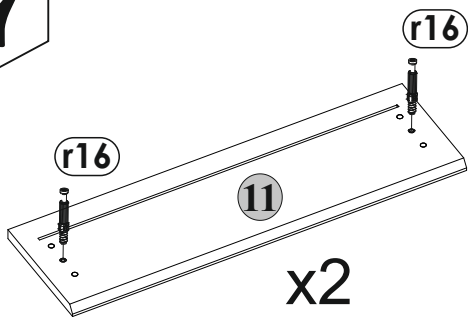


4

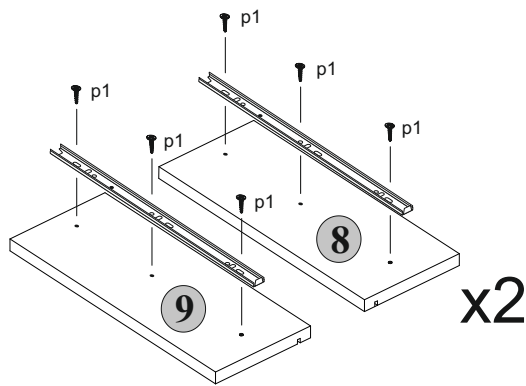
6



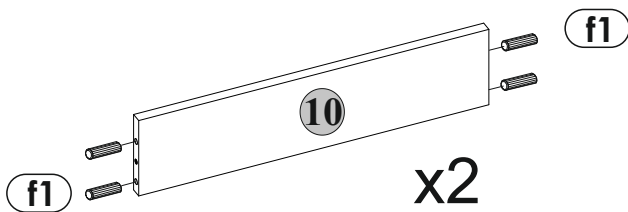
7



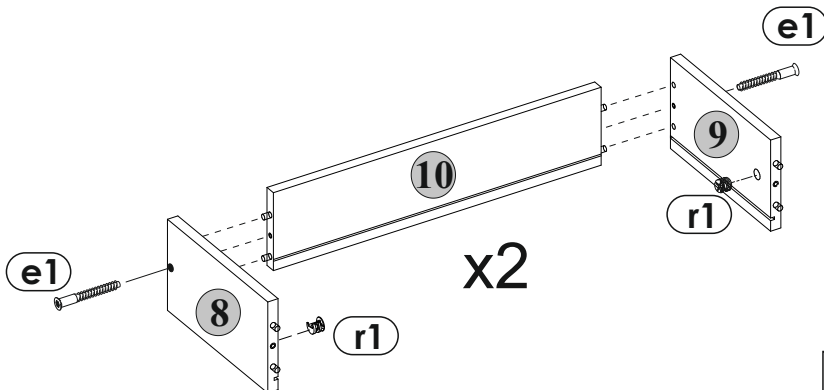
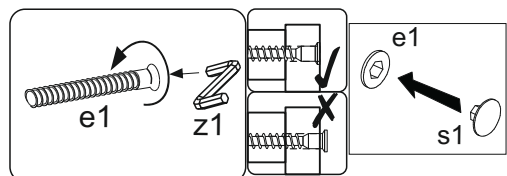
x2



x2



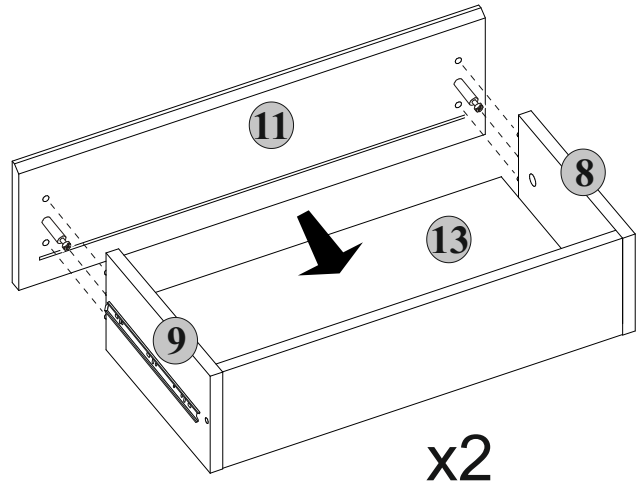
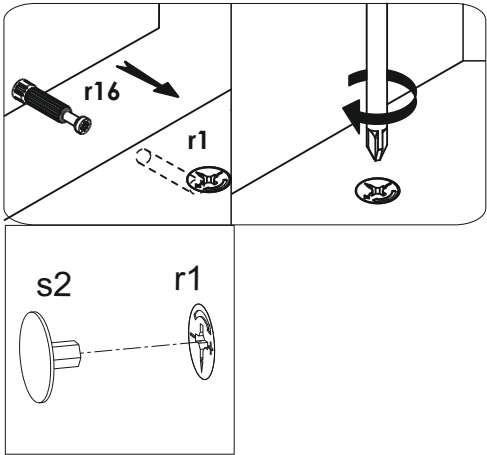
x2



x2

5

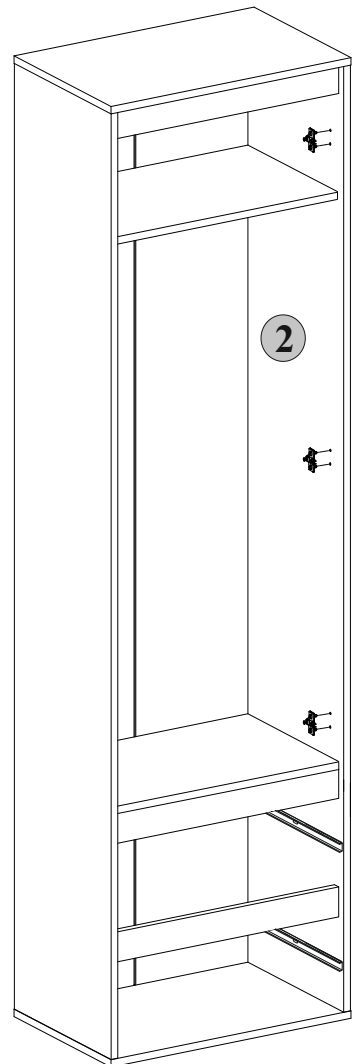
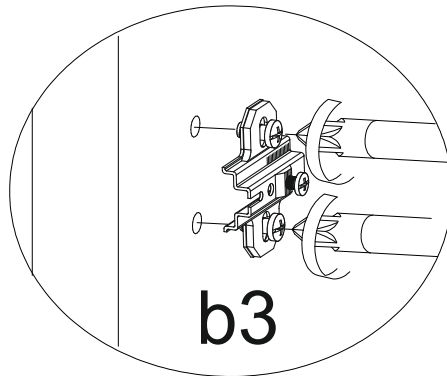
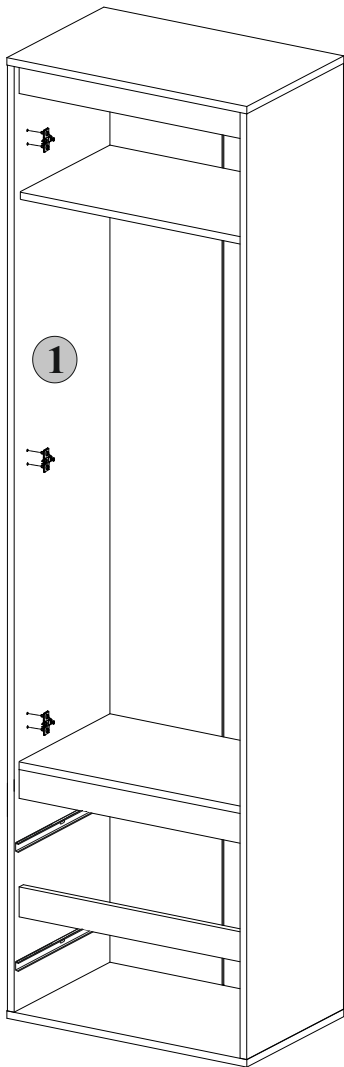
8



9

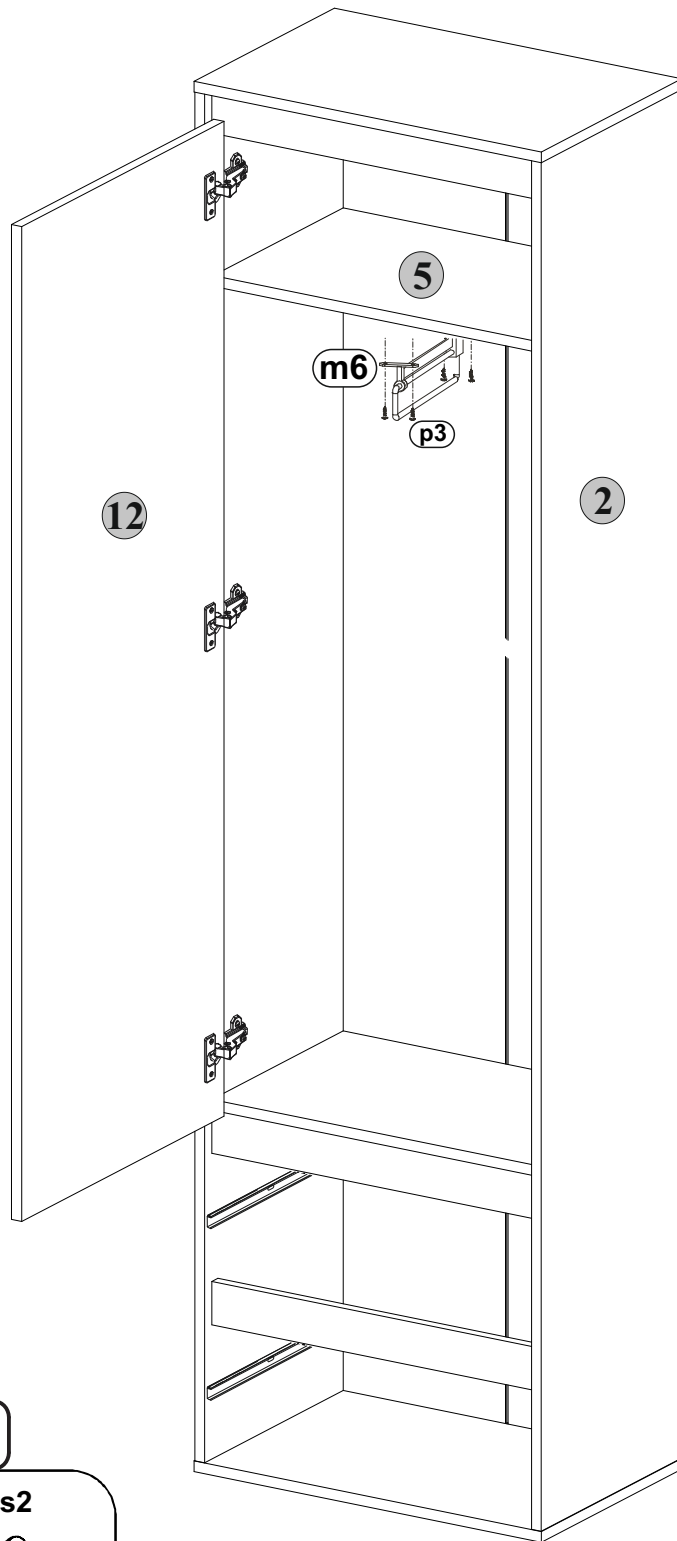
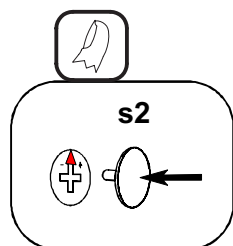
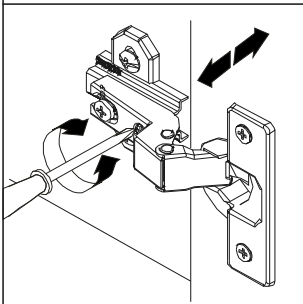
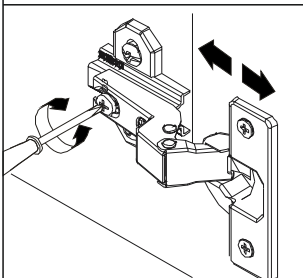
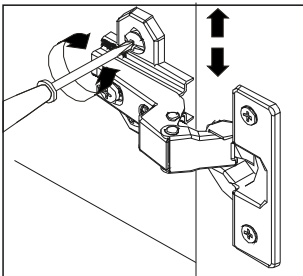
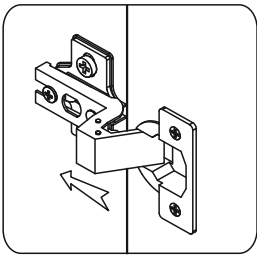
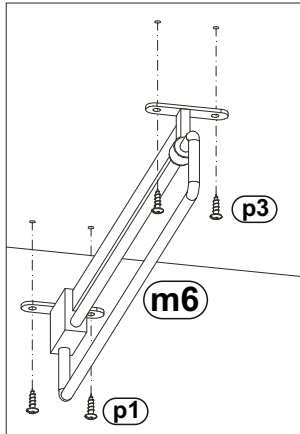
R

L

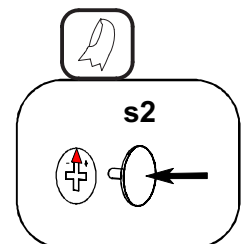
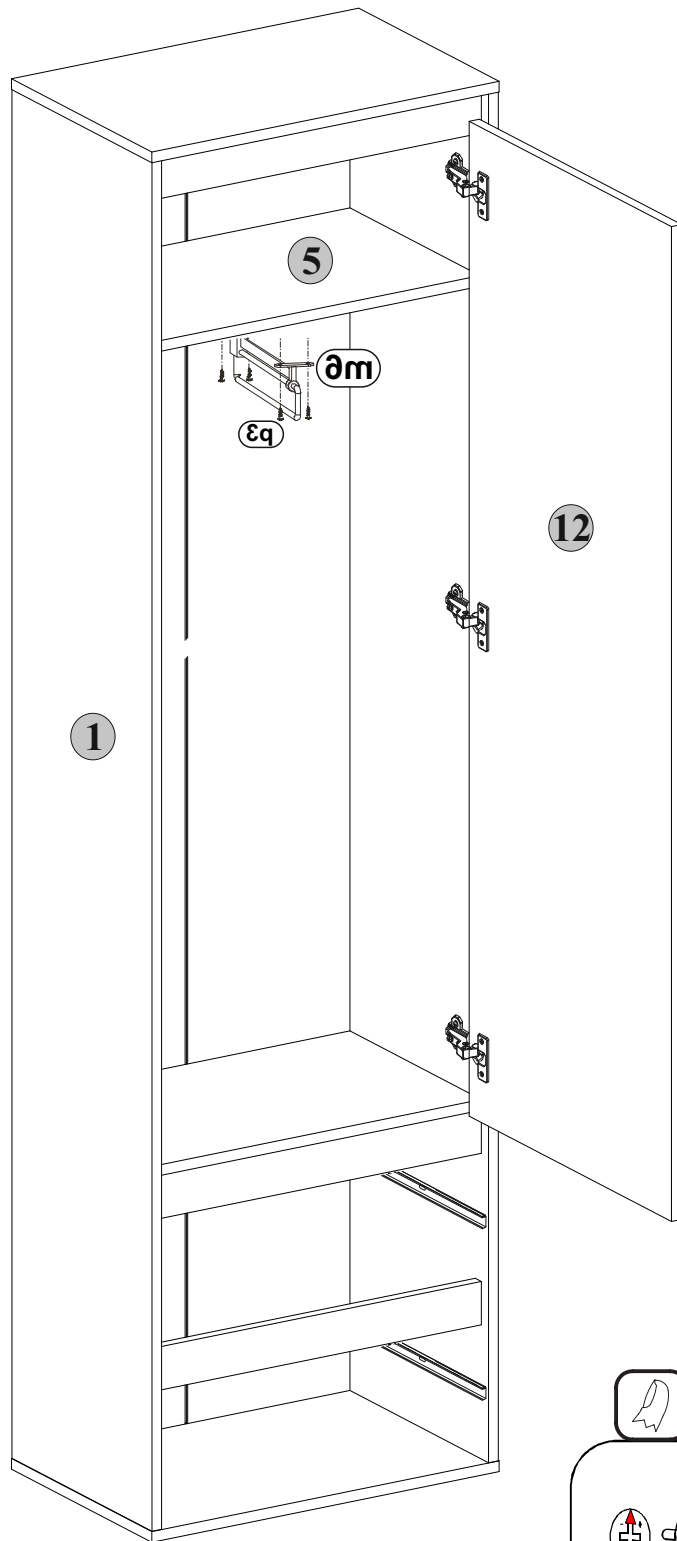
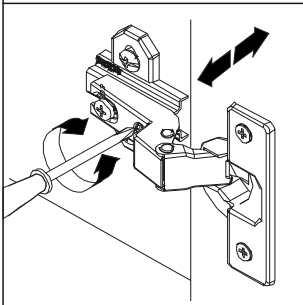
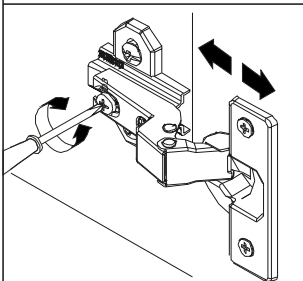
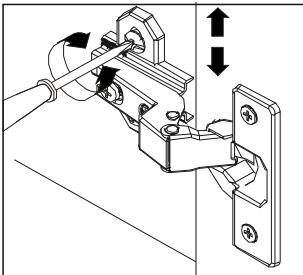
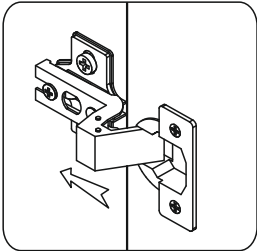
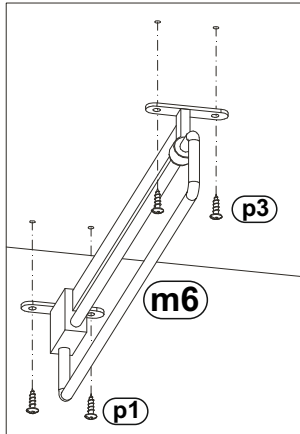


6

9L



9P



10

