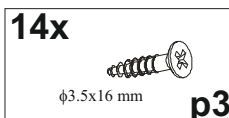
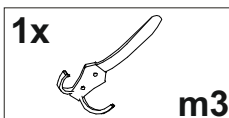
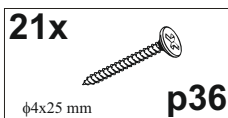
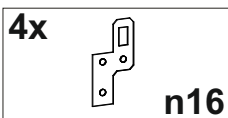
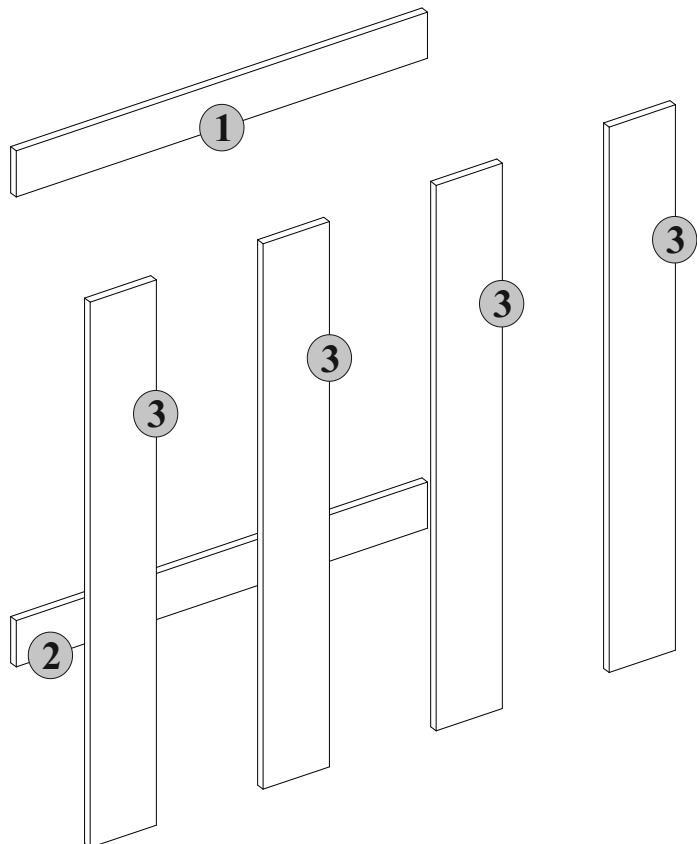
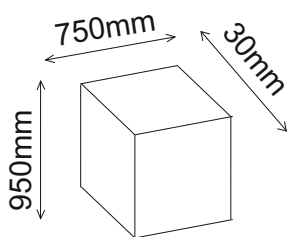
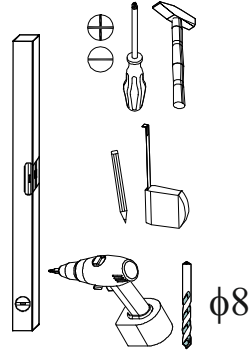
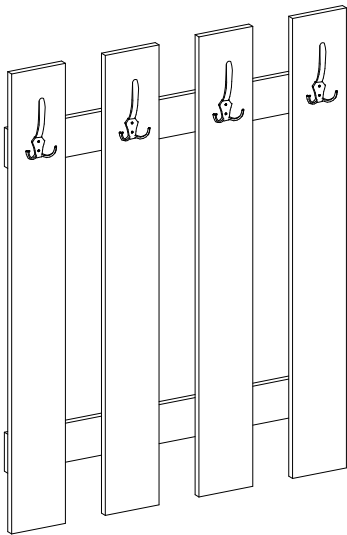


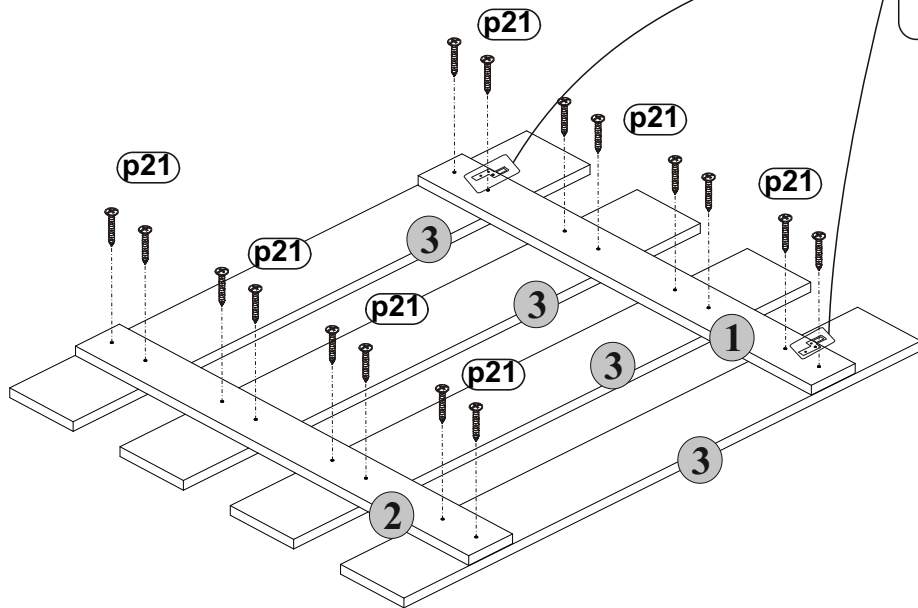
# Hanger



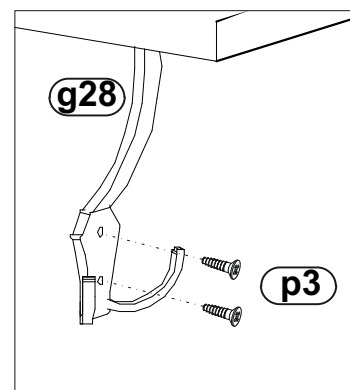
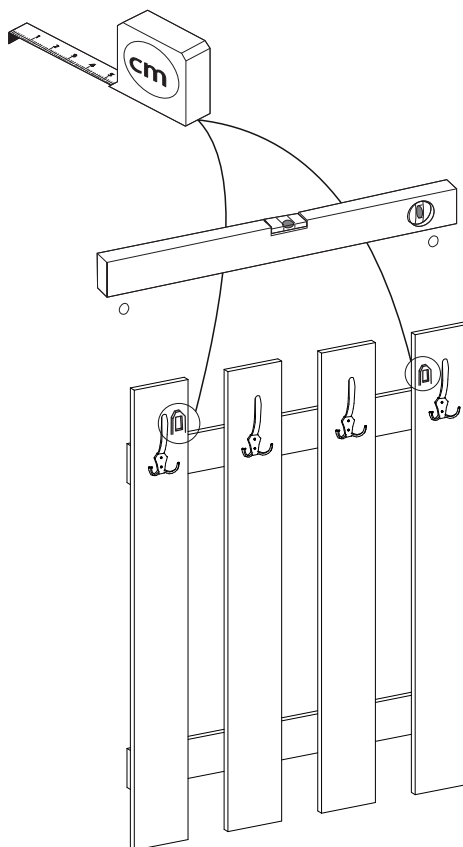
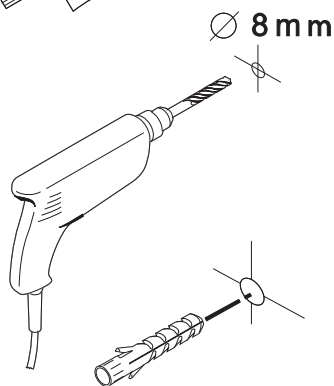
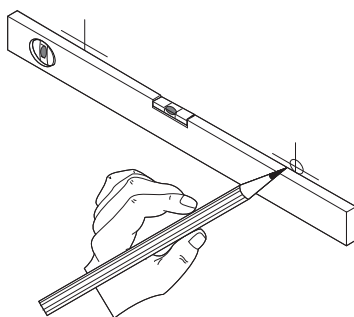
number	Measurements	Pcs.
1	748x80	1
2	748x80	1
3	950x120	4



**1**



**2**

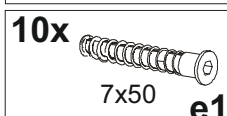
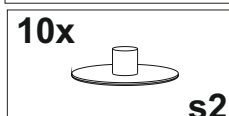
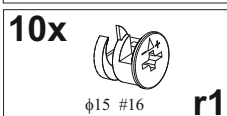
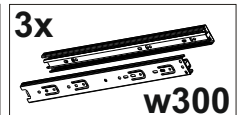
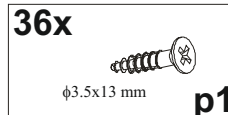
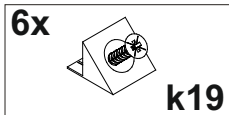
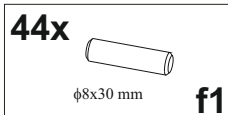
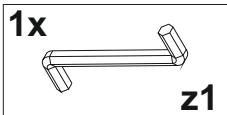
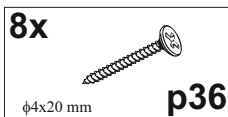
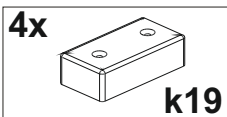
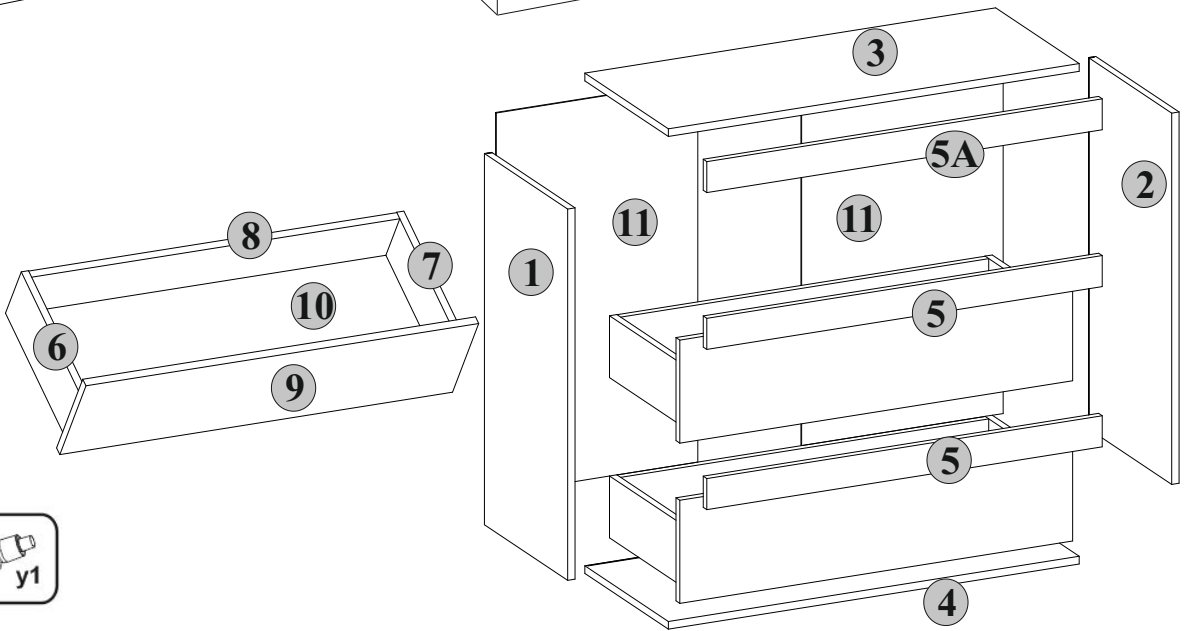
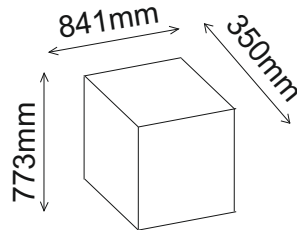
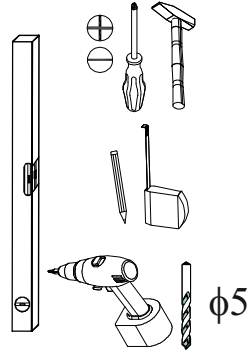
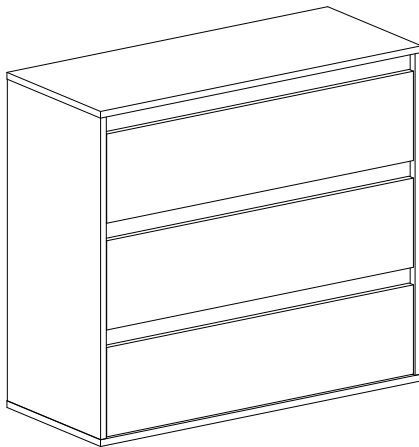


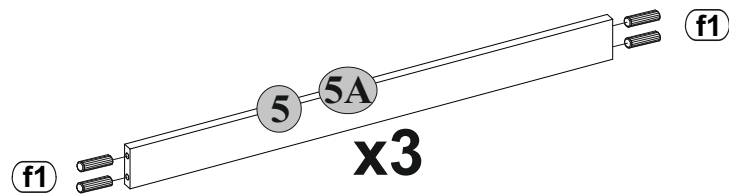
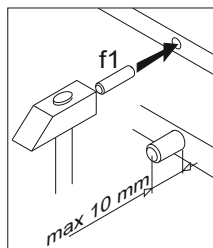
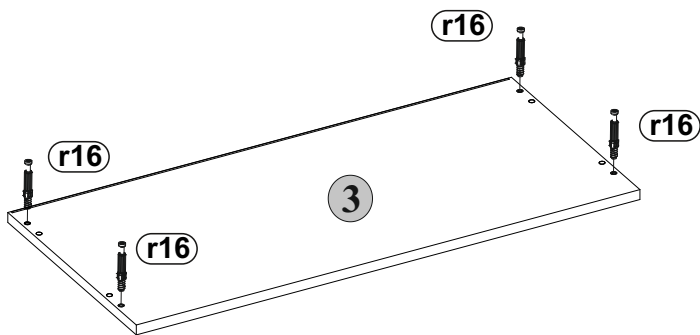
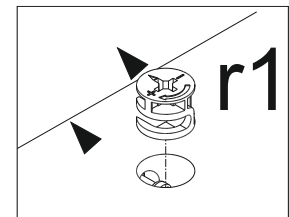
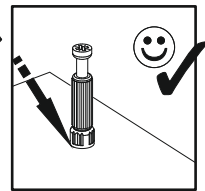
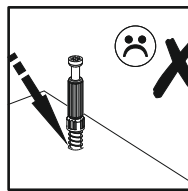
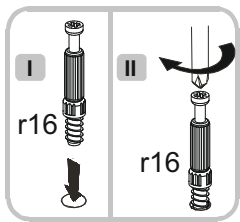
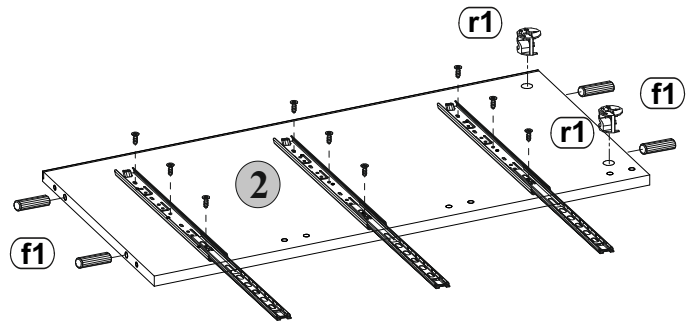
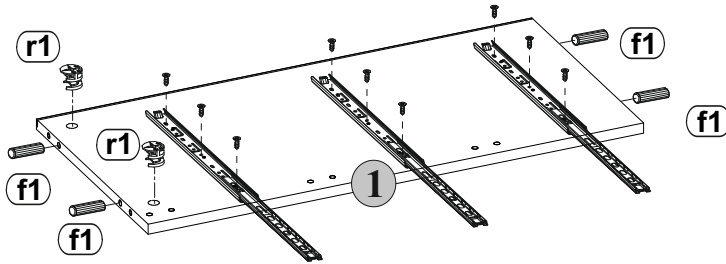
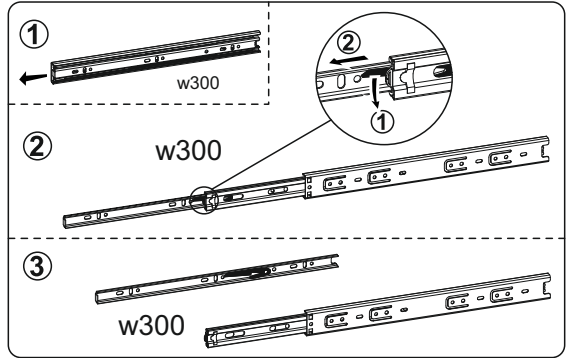
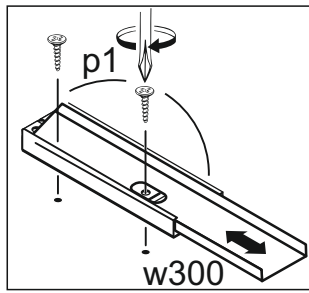
**2**

# Chest of 3Drw

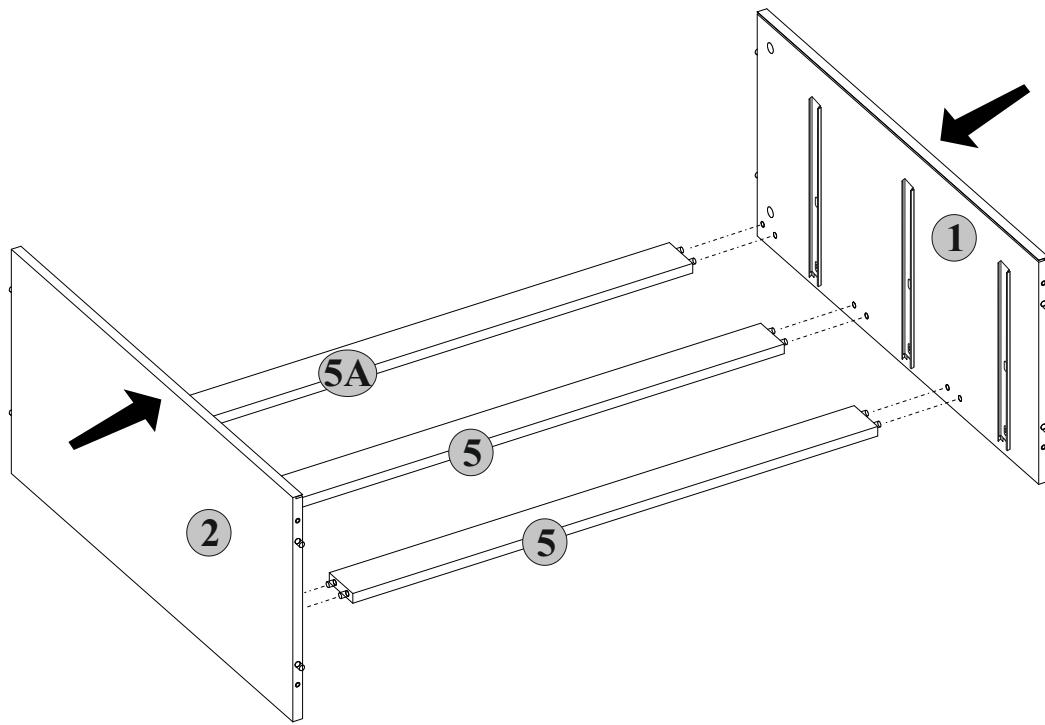


number	Measurements	Pcs.
1	723x349	1
2	723x349	1
3	841x350	1
4	841x350	1
5,5A	810x60	3
6	300x120	3
7	300x120	3
8	754x120	3
9	804x200	3
10	724x295	3
11	742x413	2
12	720	1

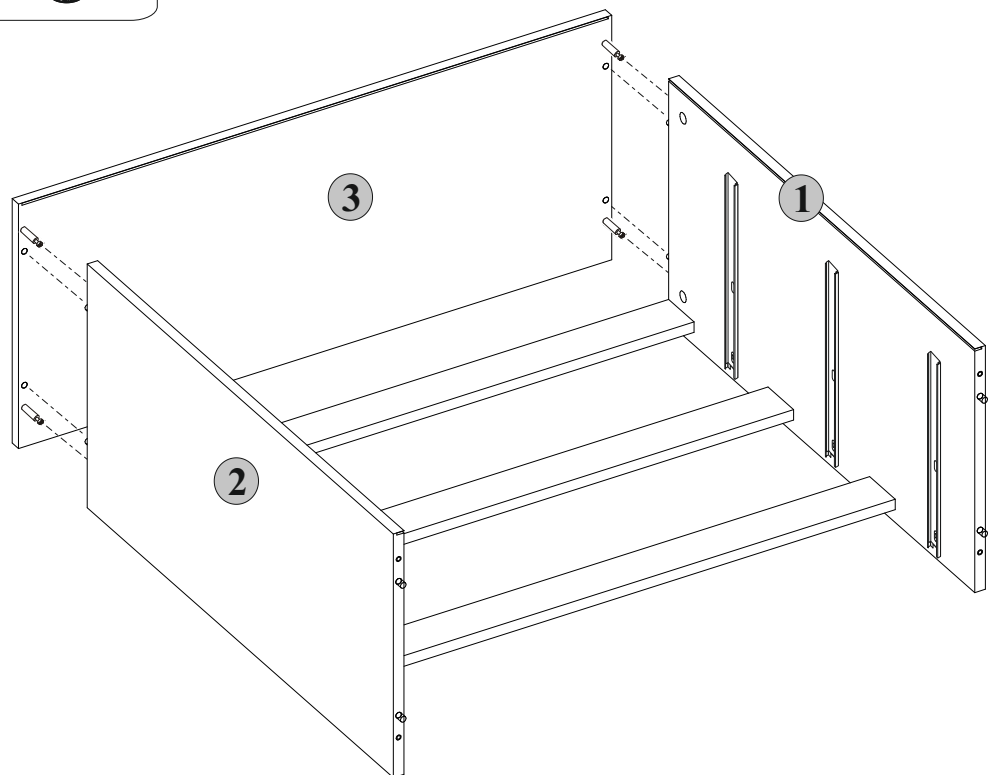
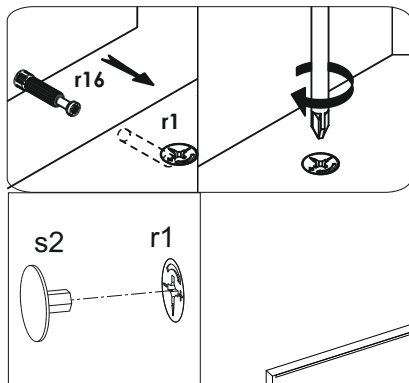




**2**

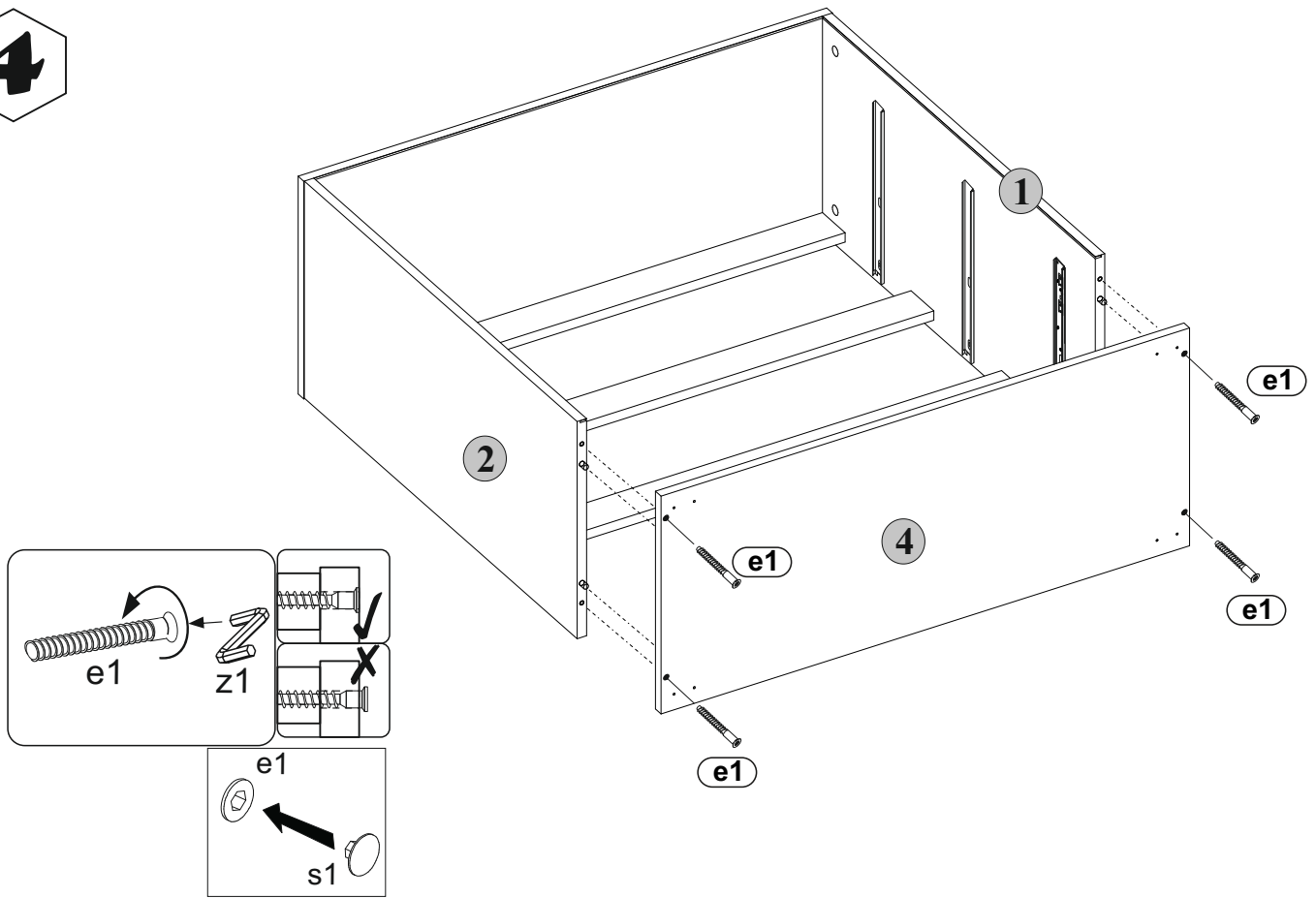


**3**

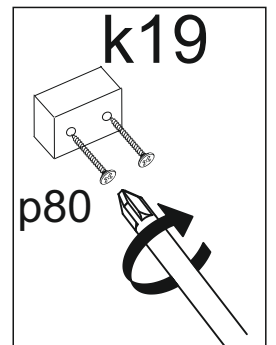
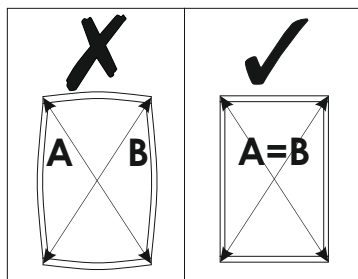
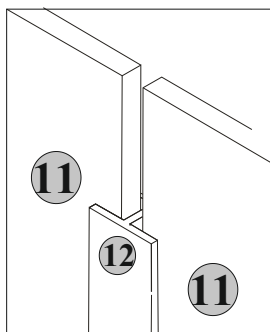
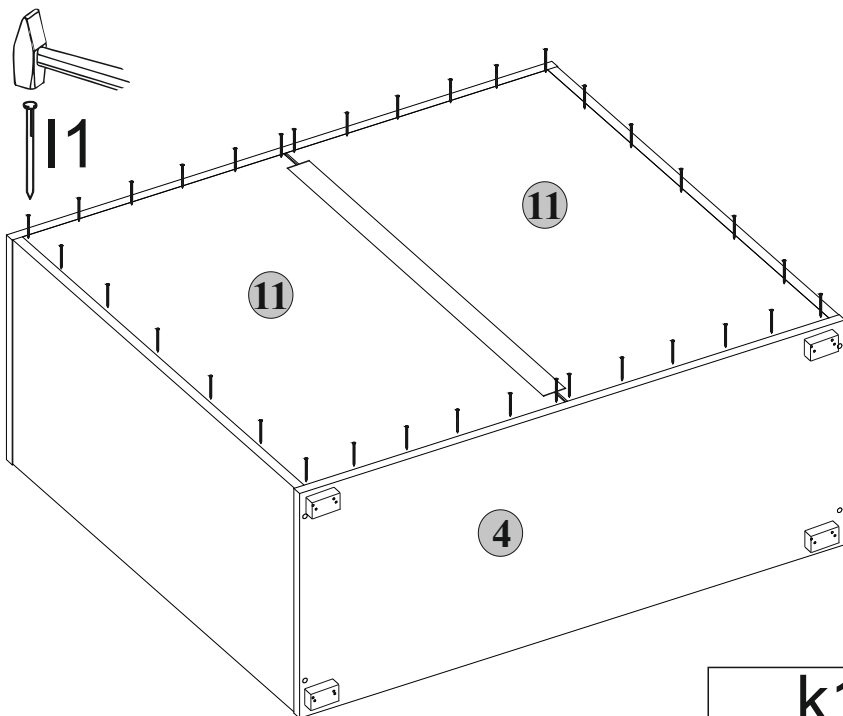


**3**

4

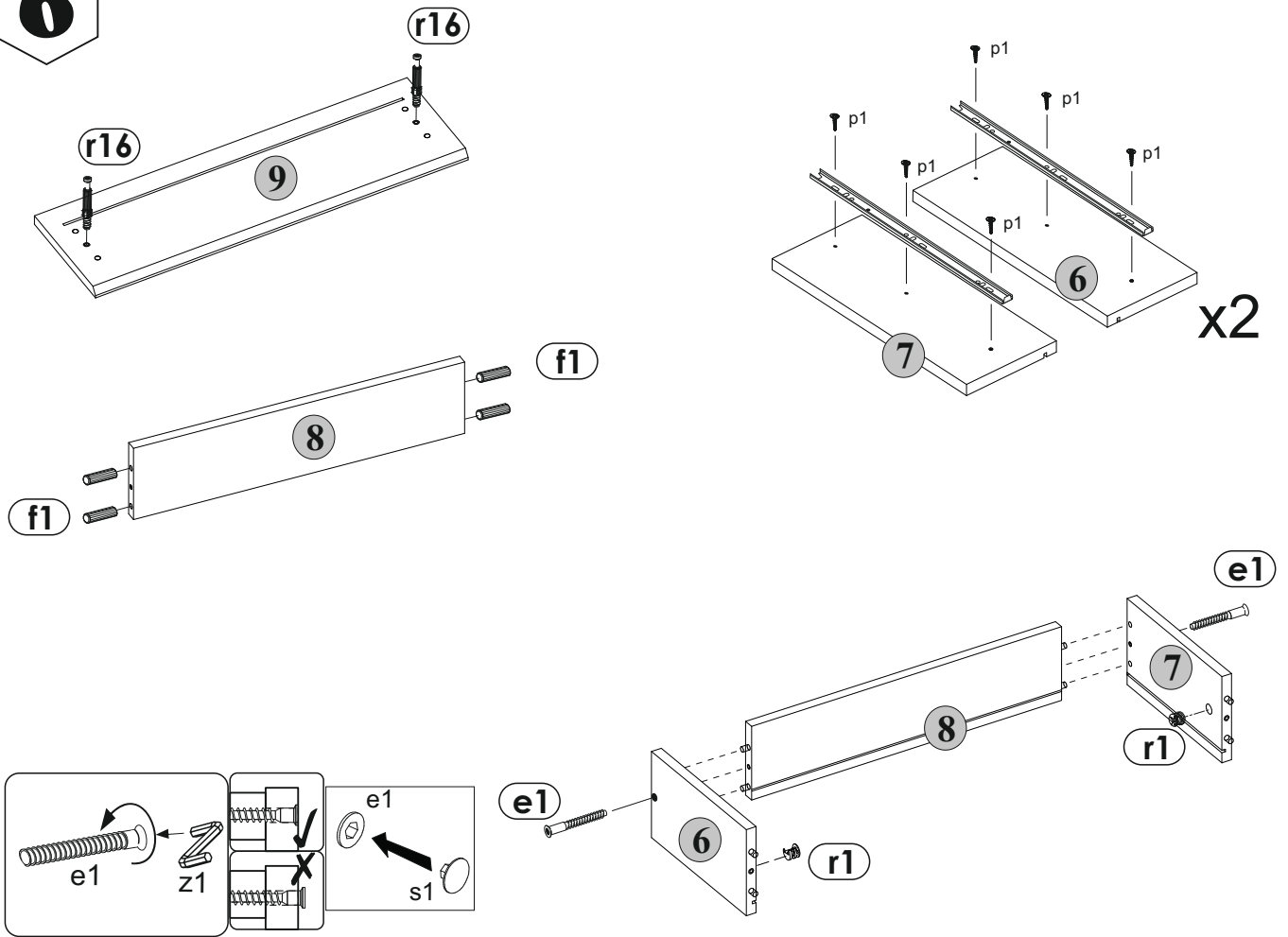


5

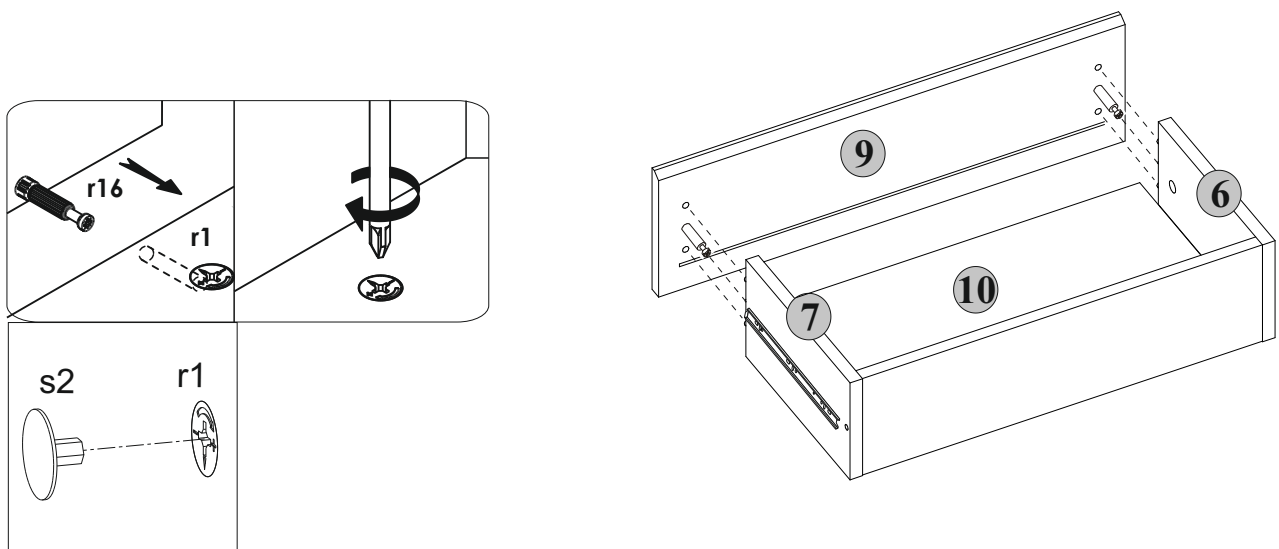


4

6

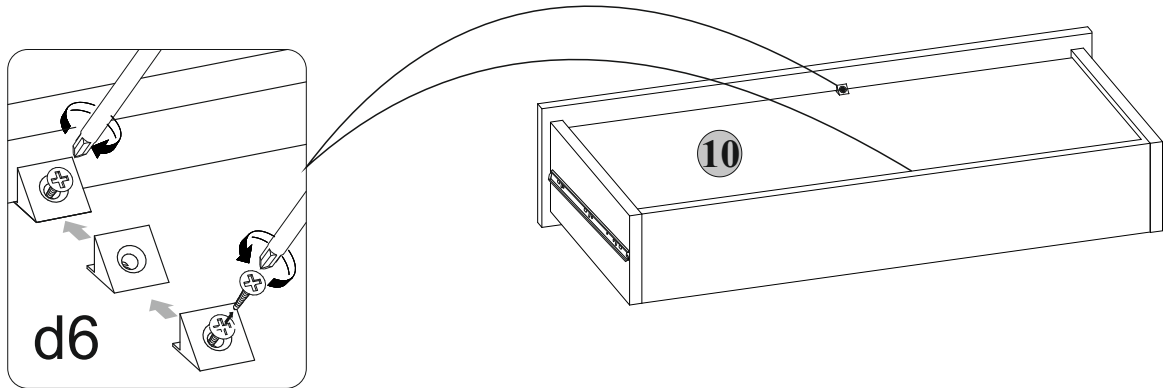


7

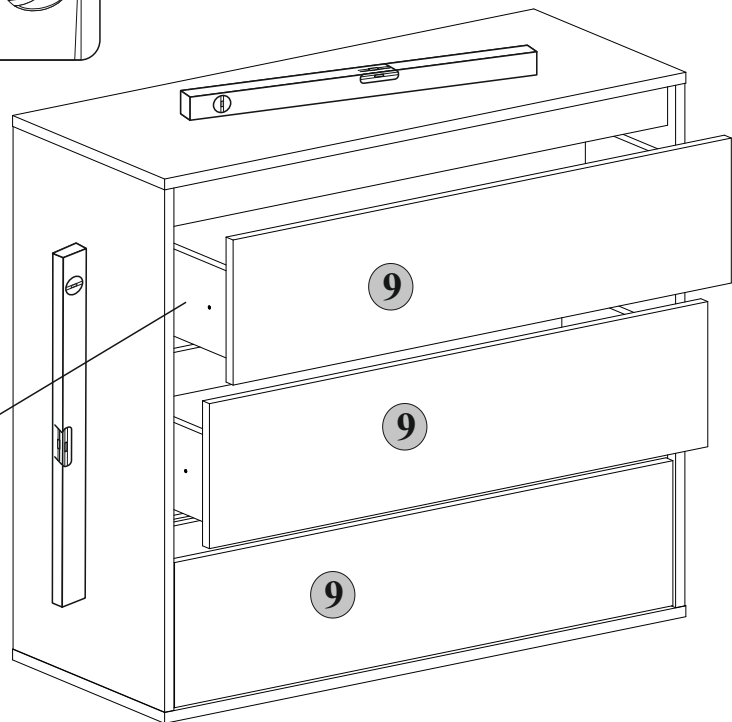
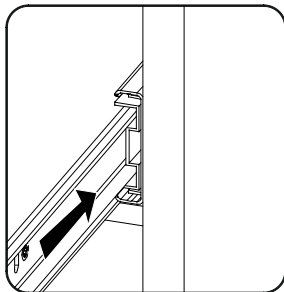
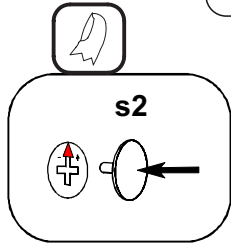
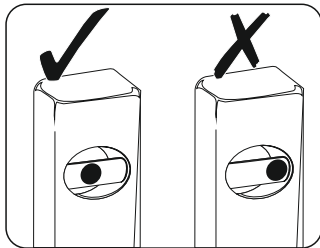


5

8



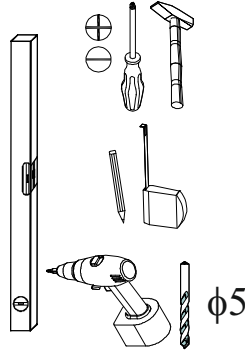
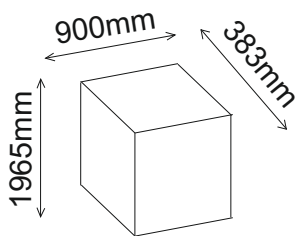
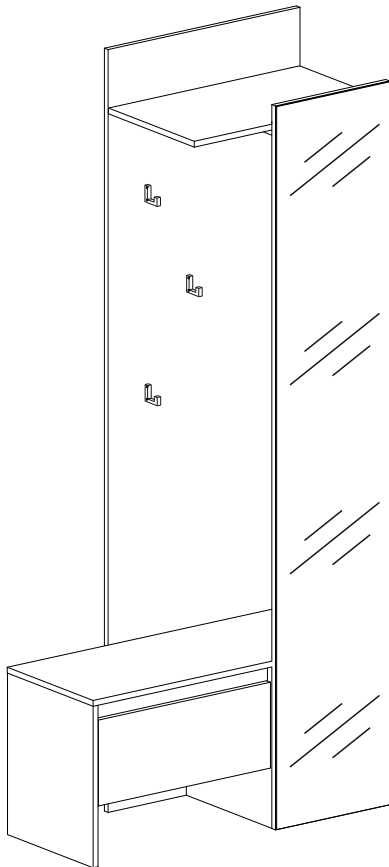
9



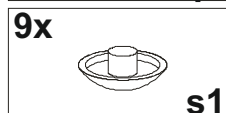
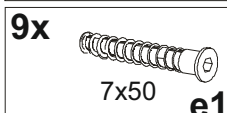
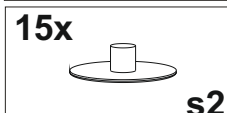
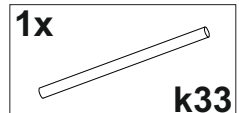
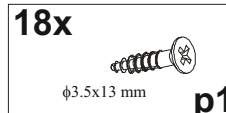
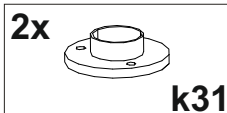
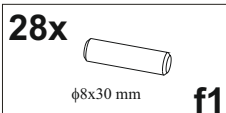
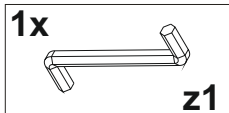
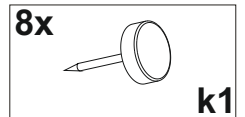
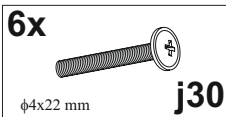
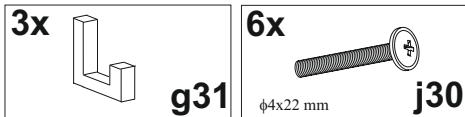
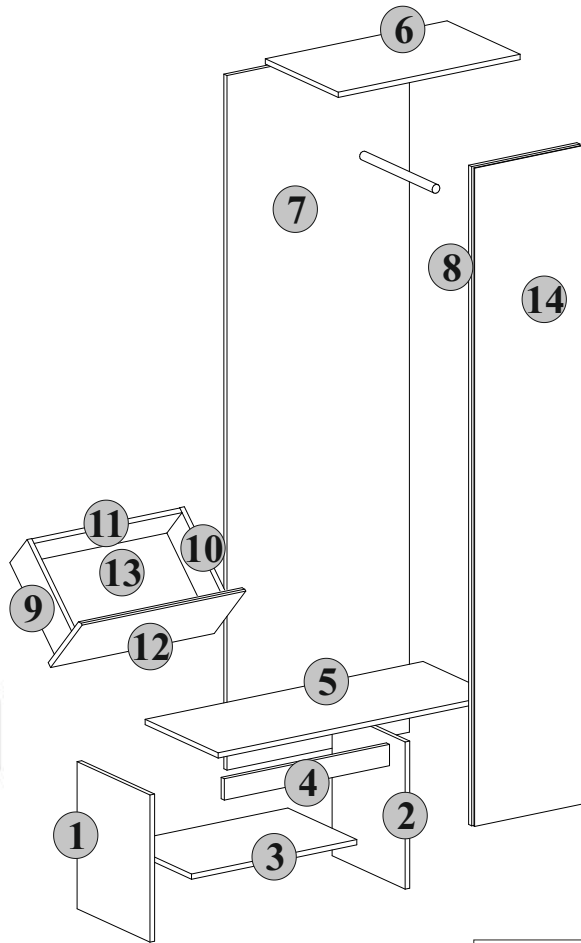
6



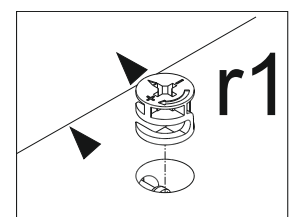
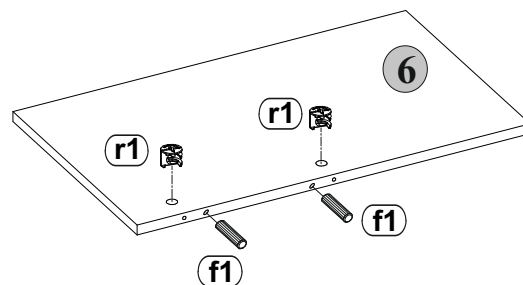
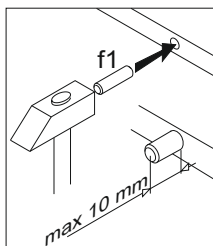
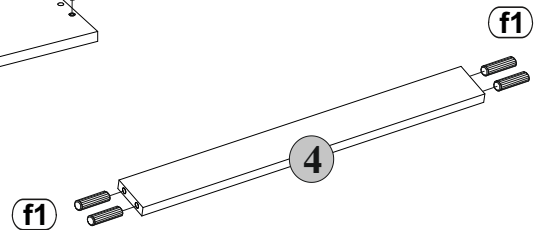
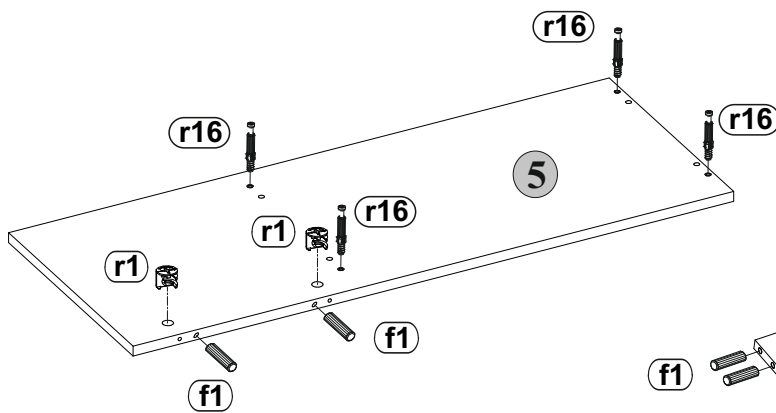
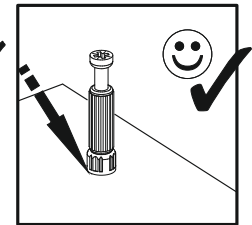
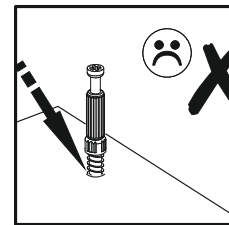
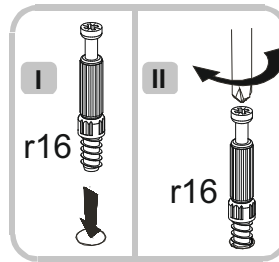
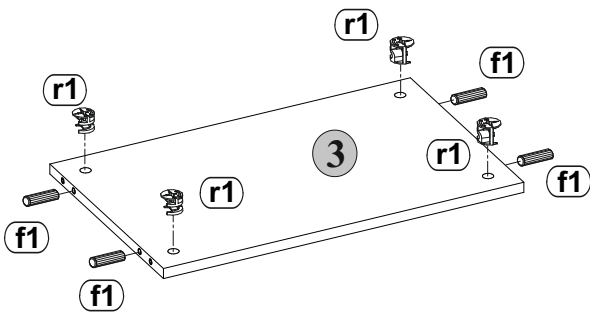
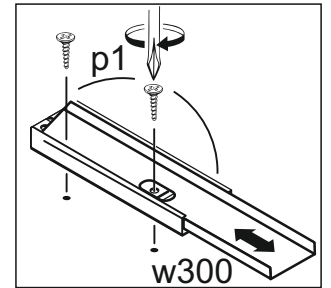
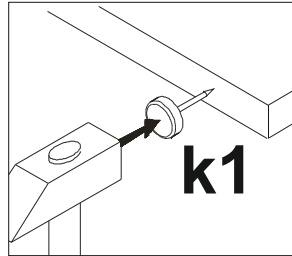
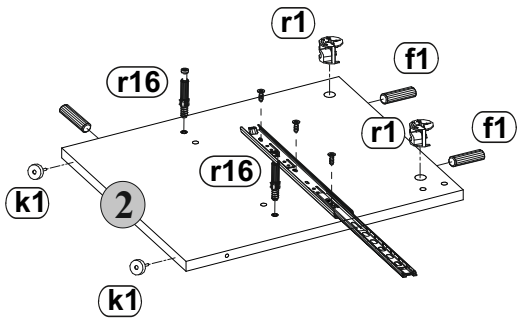
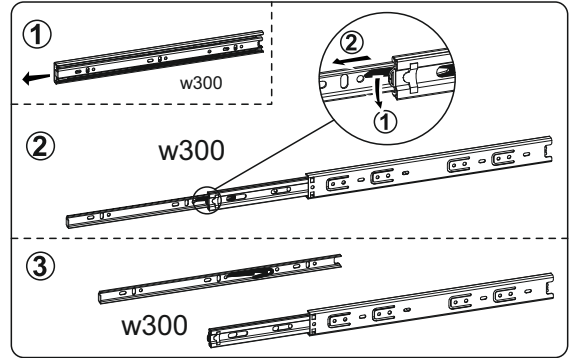
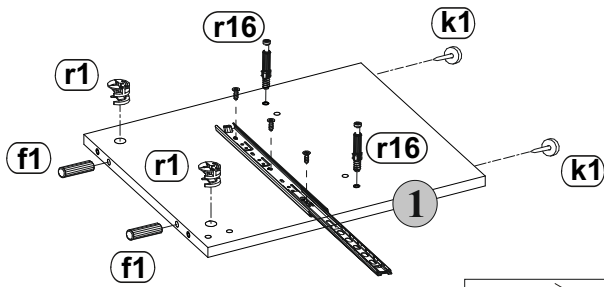
# Anteroom



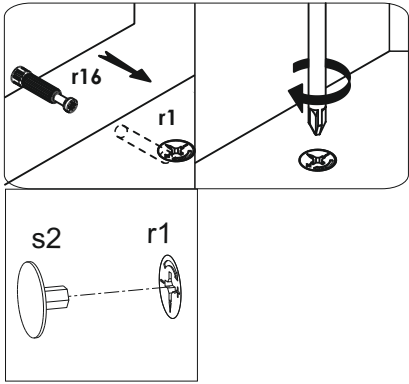
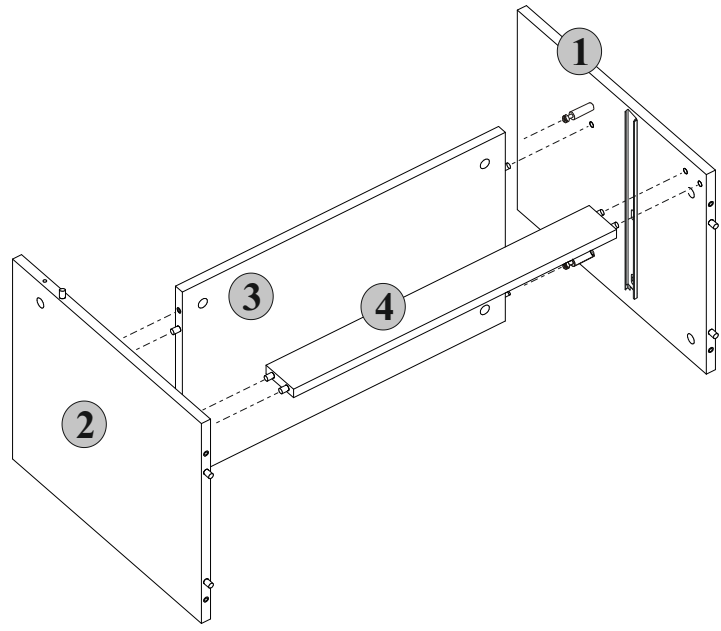
number	Measurements	Pcs.
1	415x349	1
2	415x350	1
3	535x330	1
4	535x60	1
5	899x350	1
6	588x350	1
7	1960x590	1
8	1860x350	1
9	300x120	1
10	300x120	1
11	479x120	1
12	529x220	1
13	489x296	1
14	1858x348	1



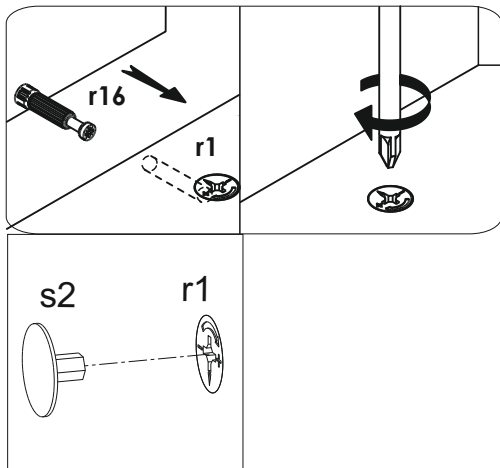
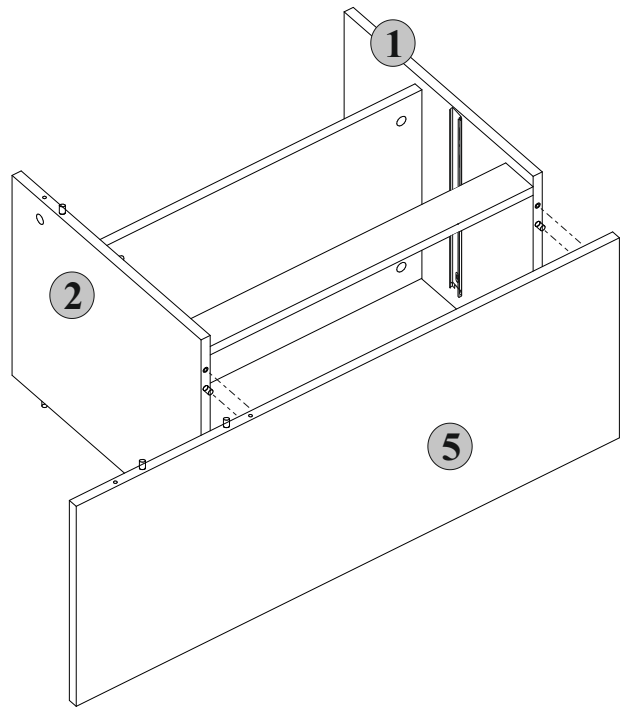
# I



**2**

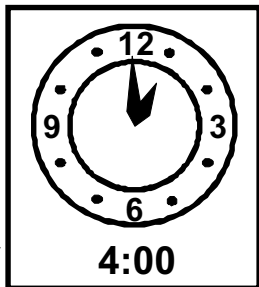
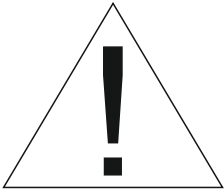
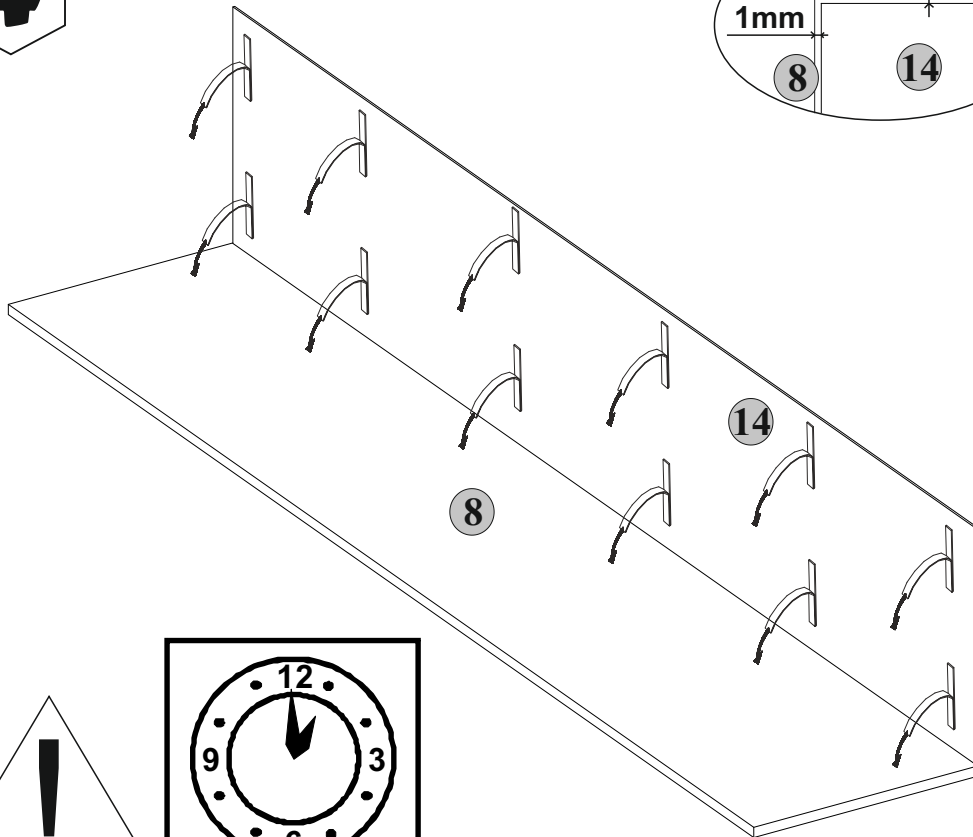
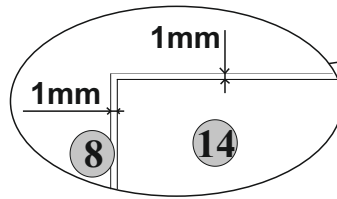


**3**

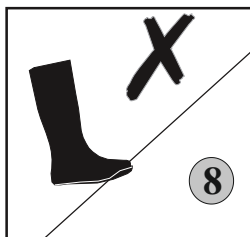
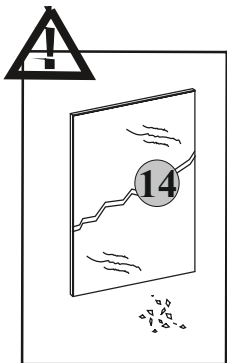
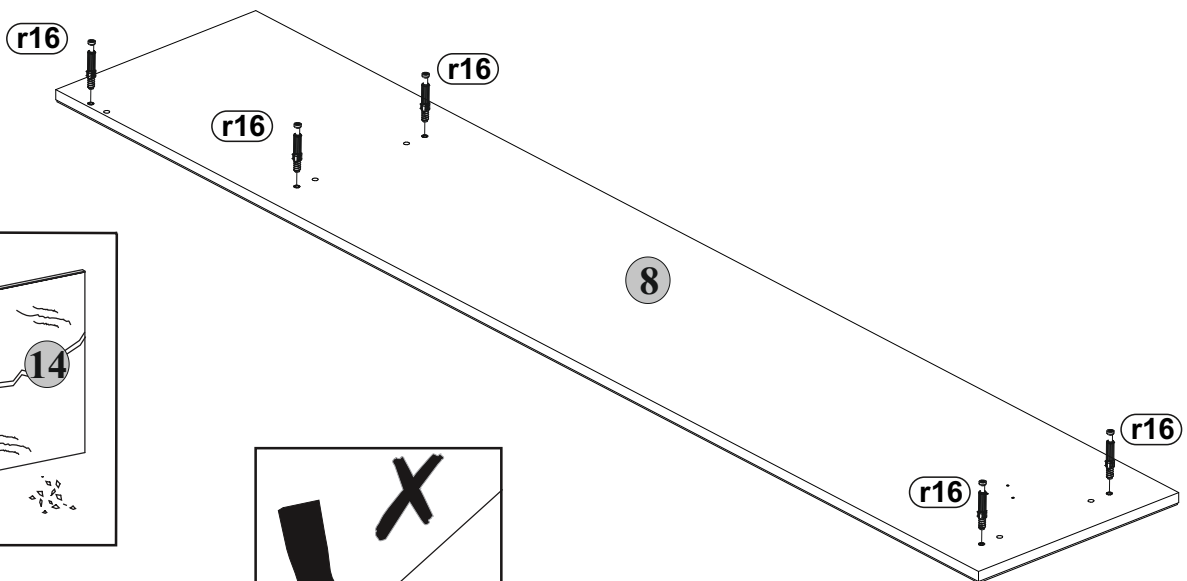
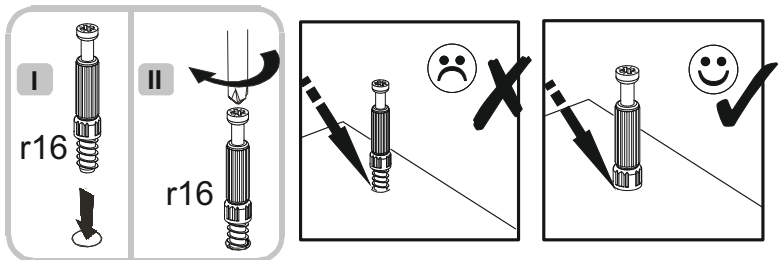


**3**

4

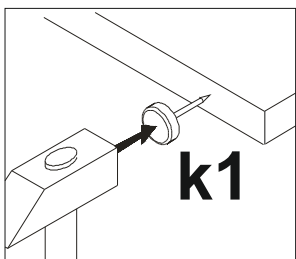
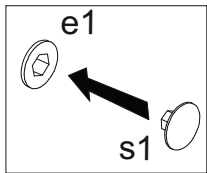
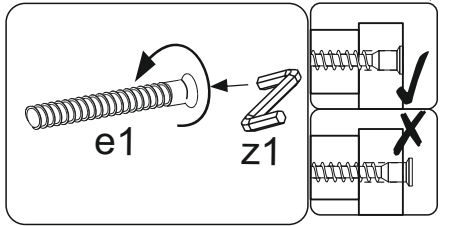
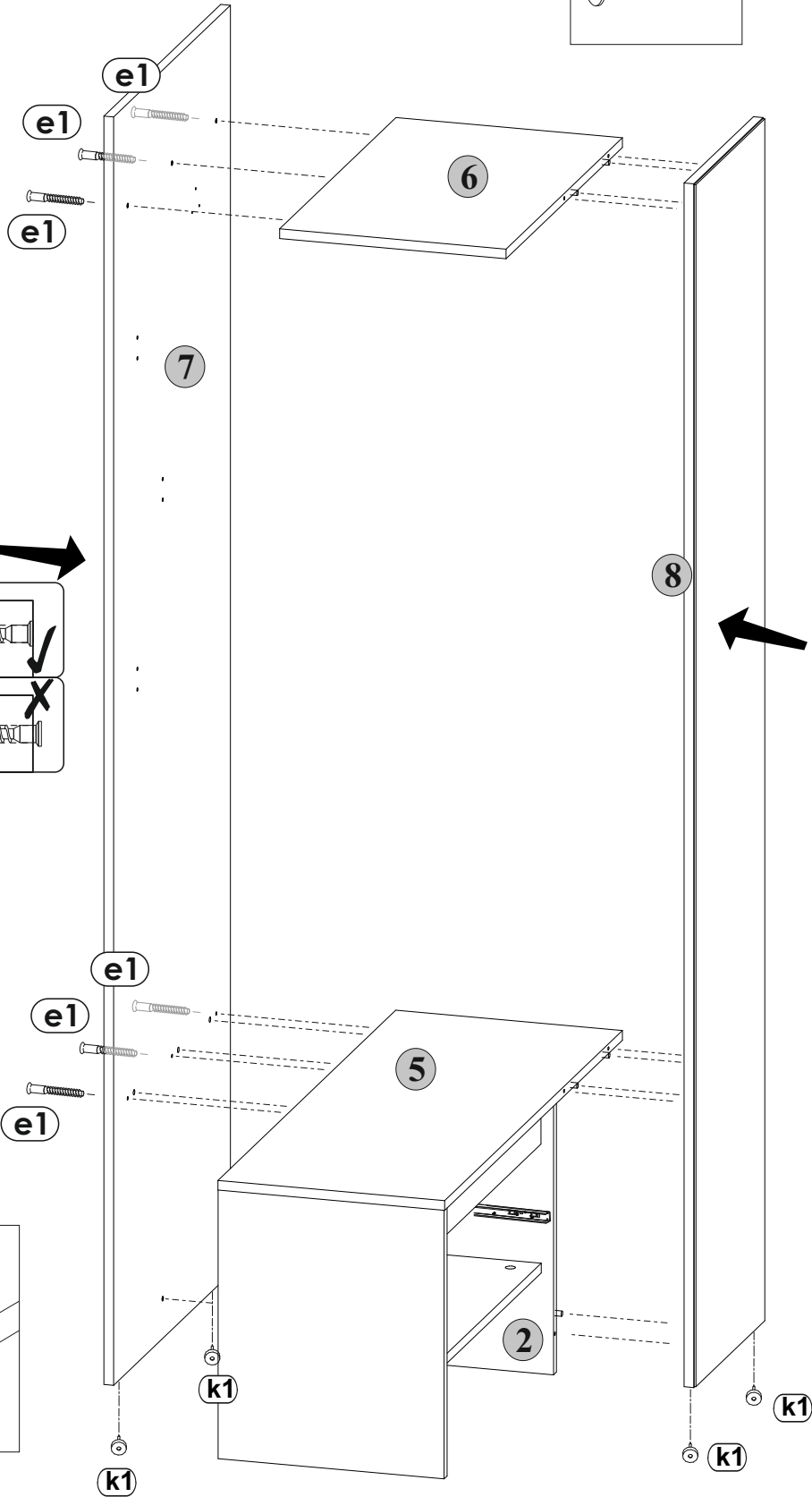
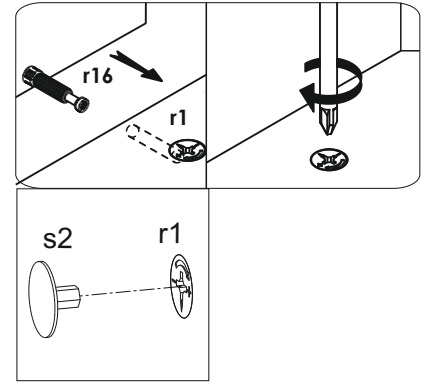


5



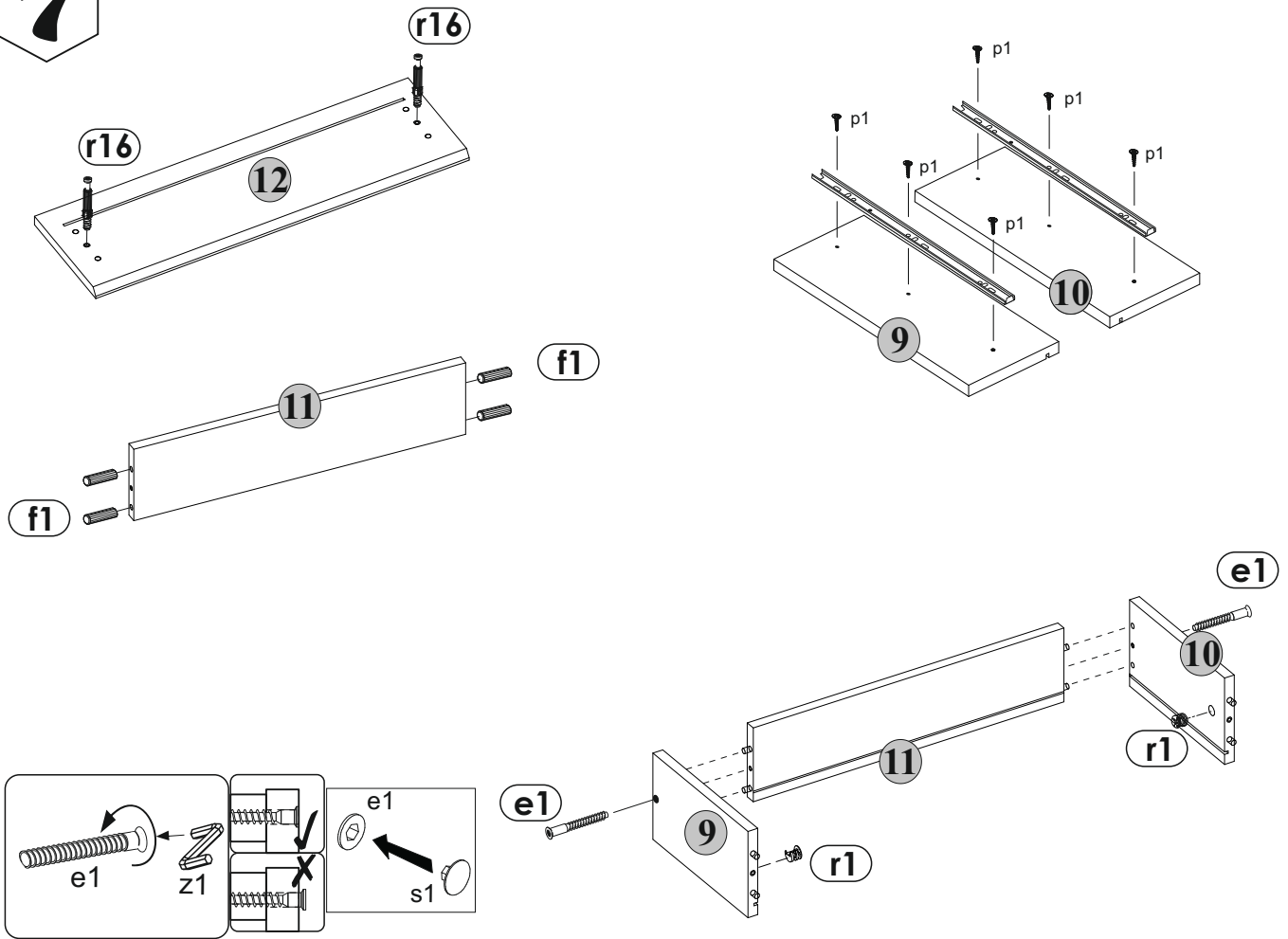
4

6

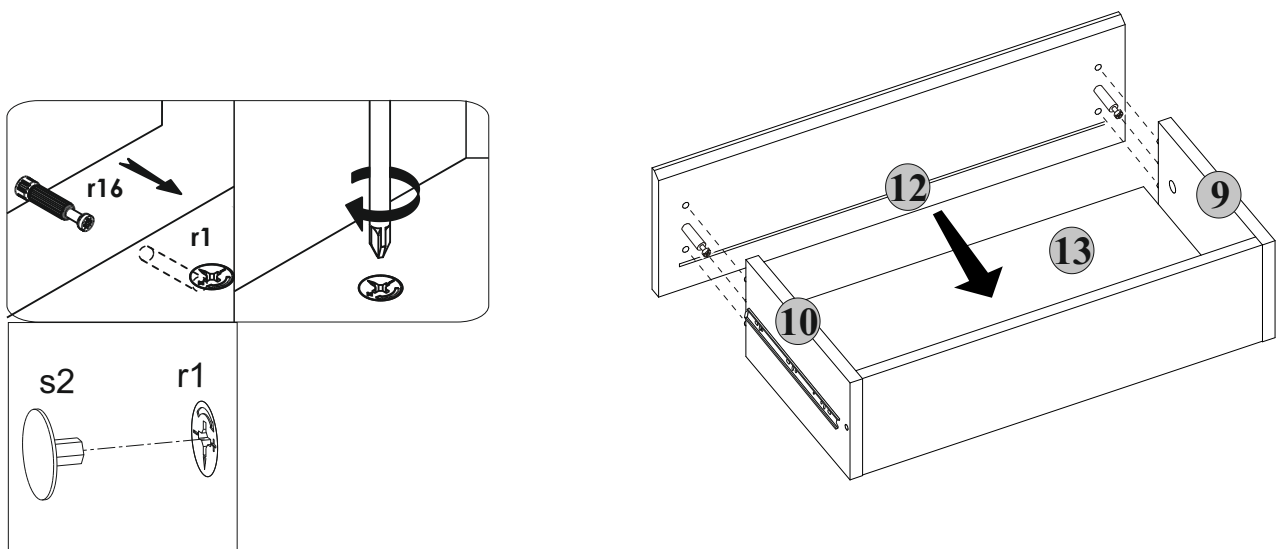


5

7

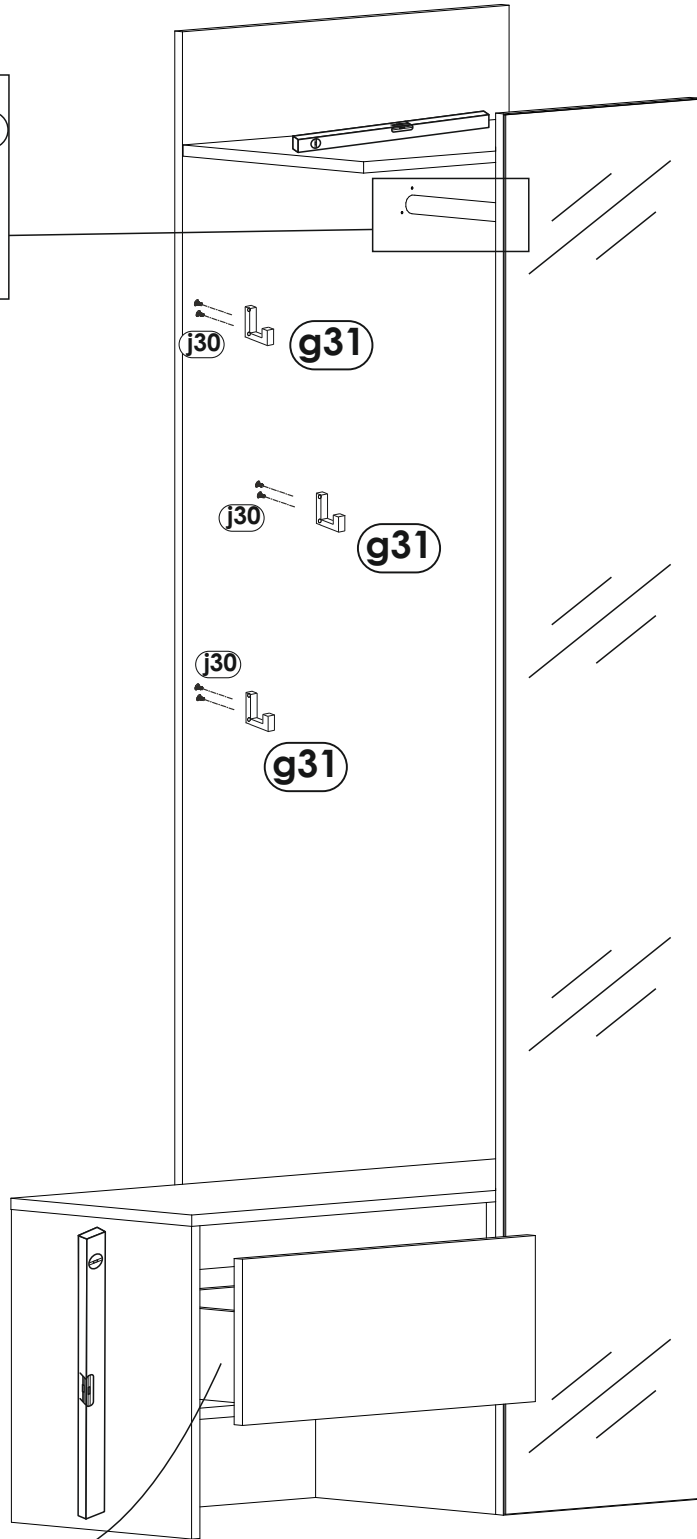
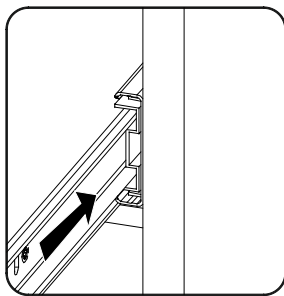
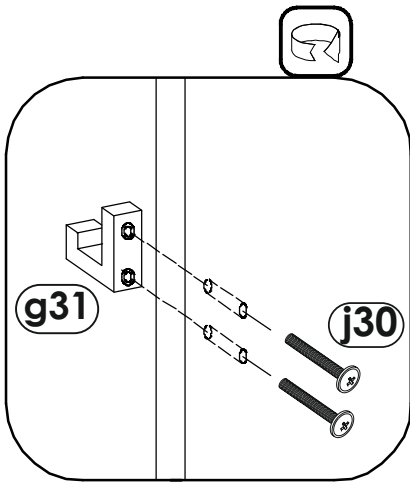
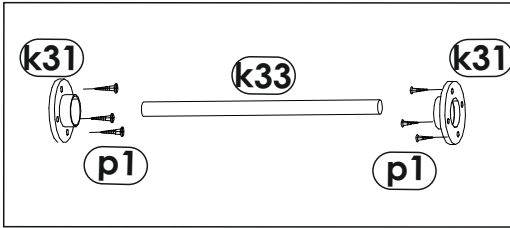
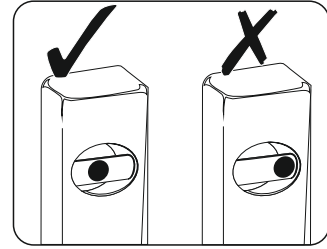


8



6

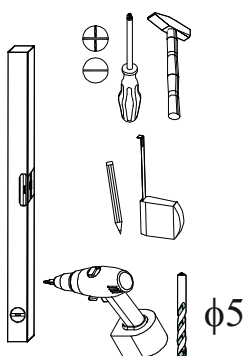
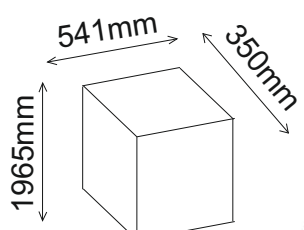
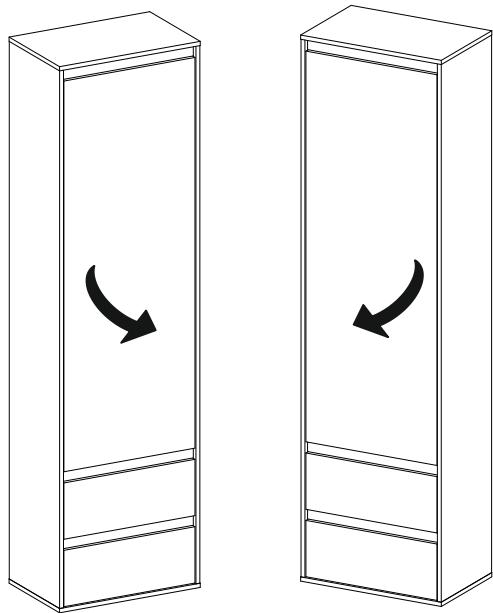
9



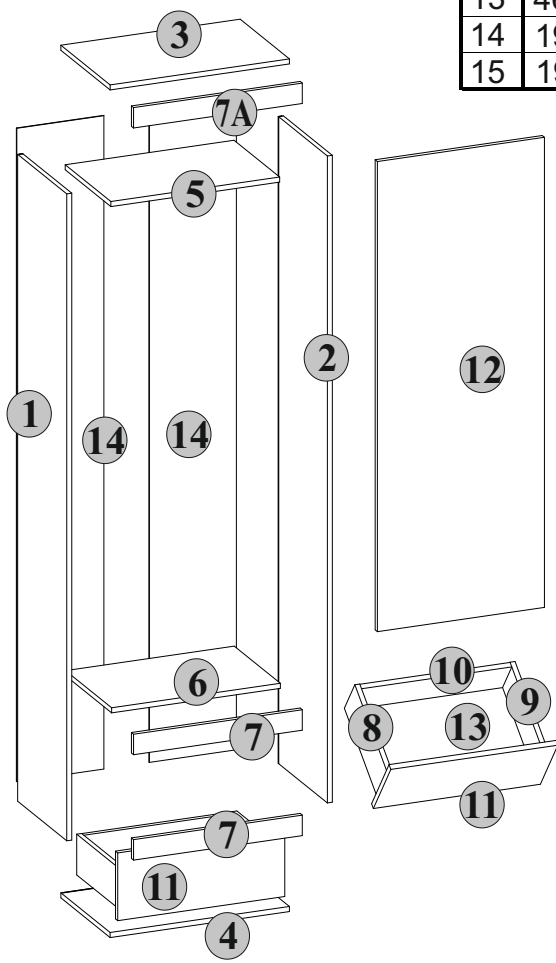
7

# Pen-Box 1D2Drw

**R**      **L**

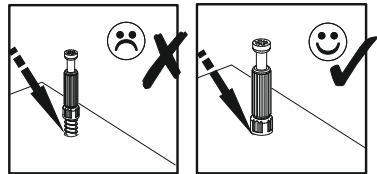
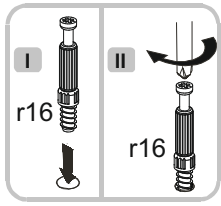
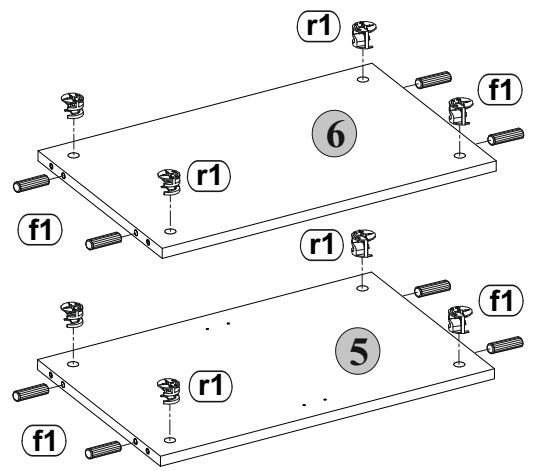
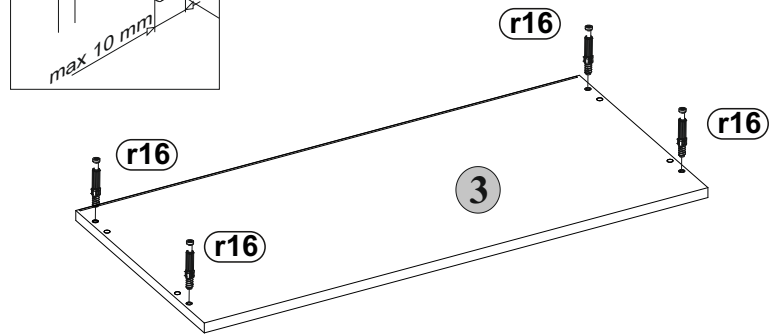
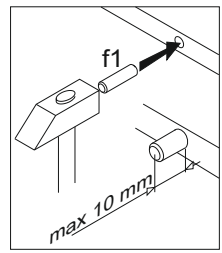
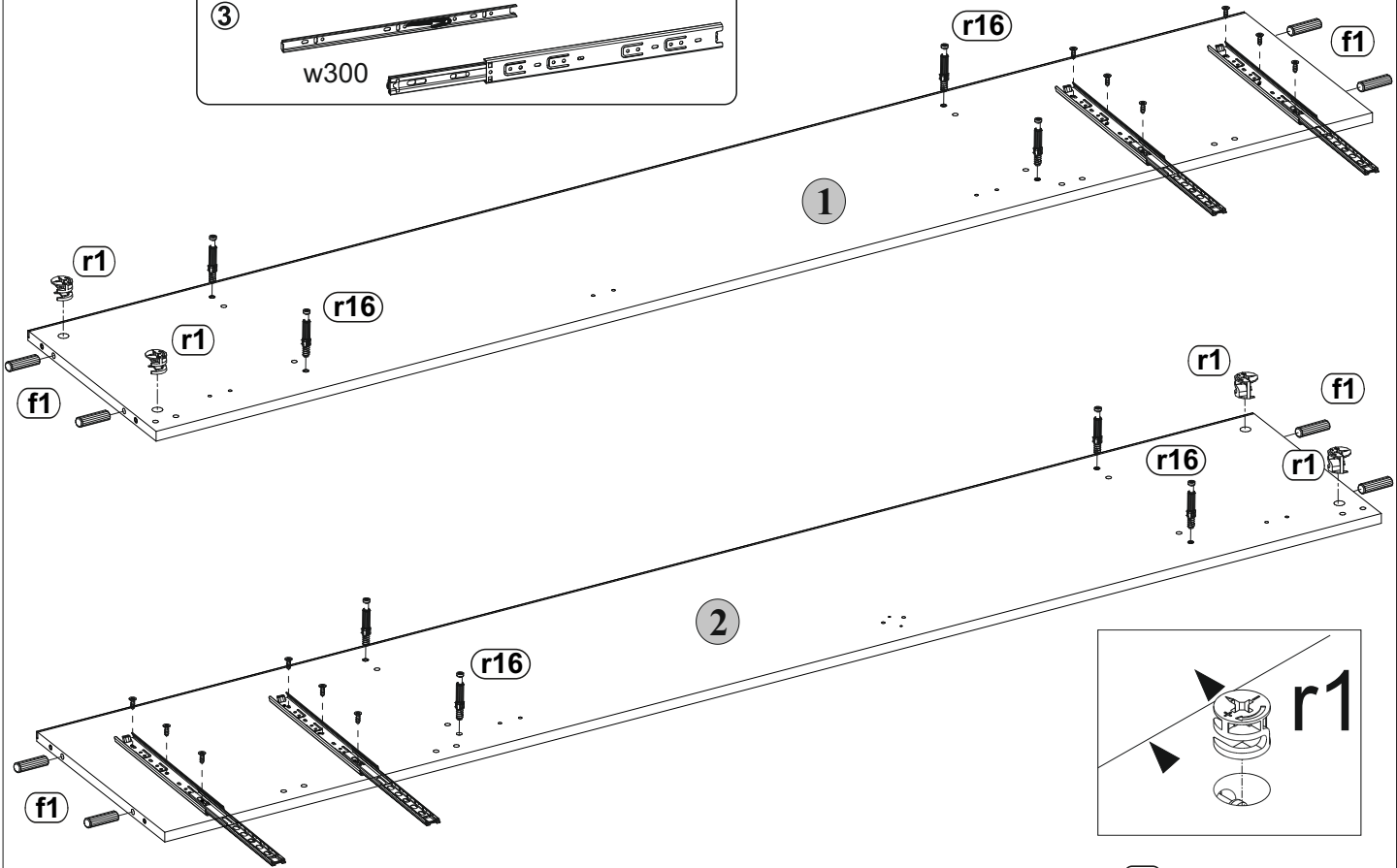
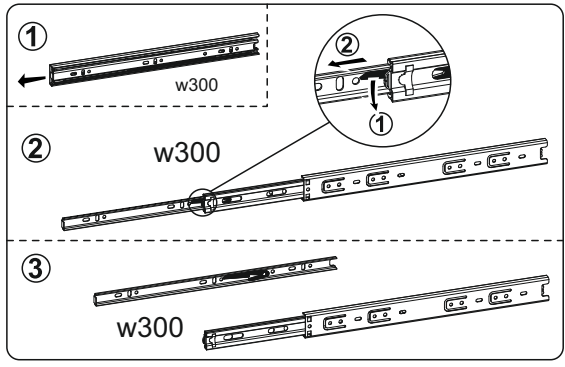


number	Measurements	Pcs.
1	1915x349	1
2	1915x349	1
3	541x350	1
4	541x350	1
5	510x325	1
6	510x328	1
7,7A	510x60	3
8	300x120	2
9	300x120	2
10	454x120	2
11	504x200	2
12	1391x504	1
13	464x295	2
14	1934x263	2
15	1900x	1

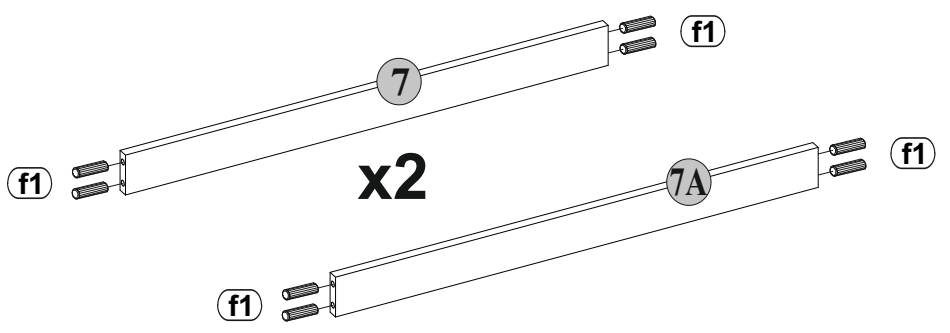


4x  k19	8x  φ4x20 mm p36	2x  w300	3x  a39	3x  b3
1x  z1	44x  φ8x30 mm f1	1x  m6	80x  l1	34x  φ3.5x13 mm p1
16x  φ15 #16 r1	16x  r16	16x  s2	8x  7x50 e1	6x  φ6.3x13 mm e2
			8x  s1	

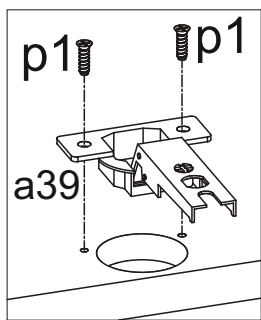
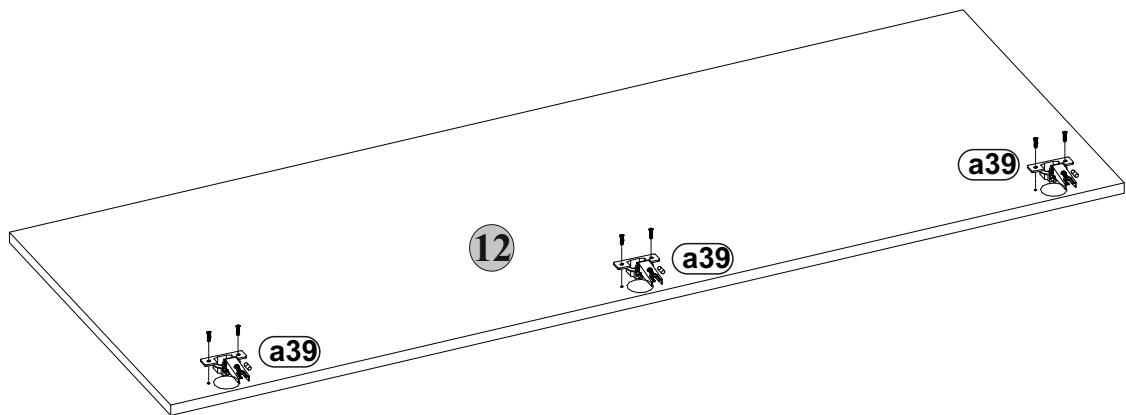




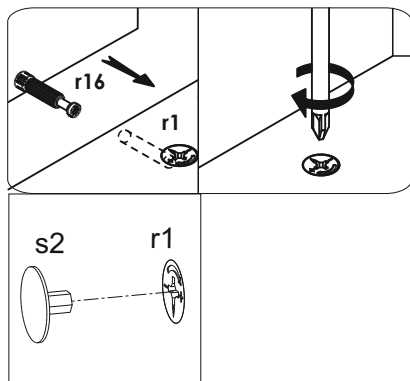
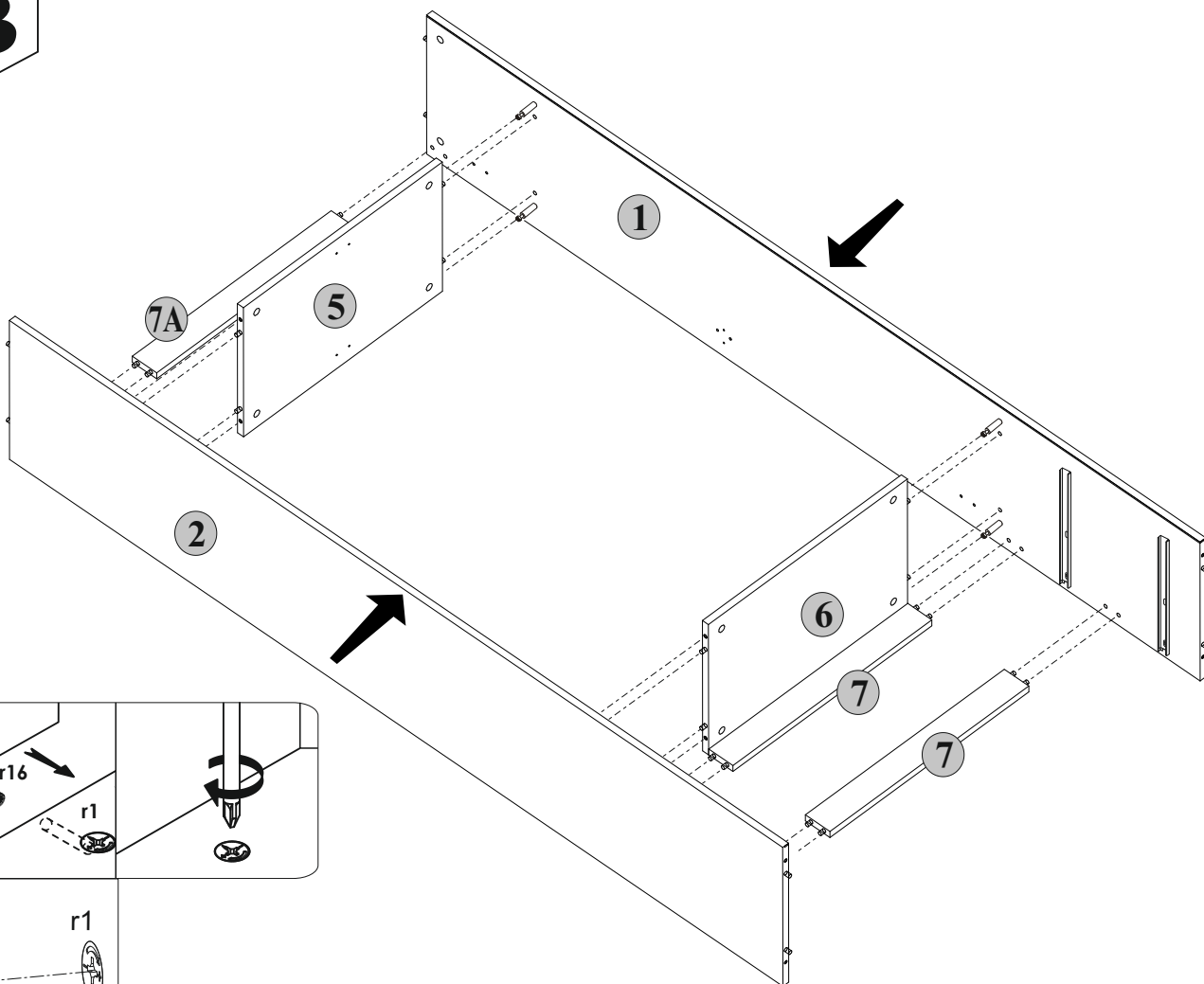
2



**2**

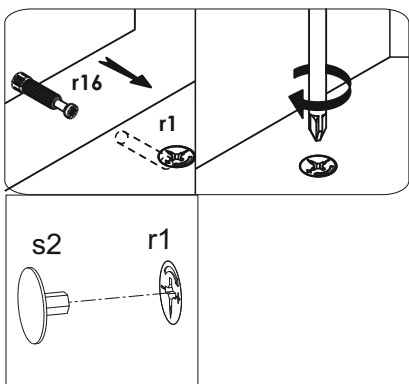
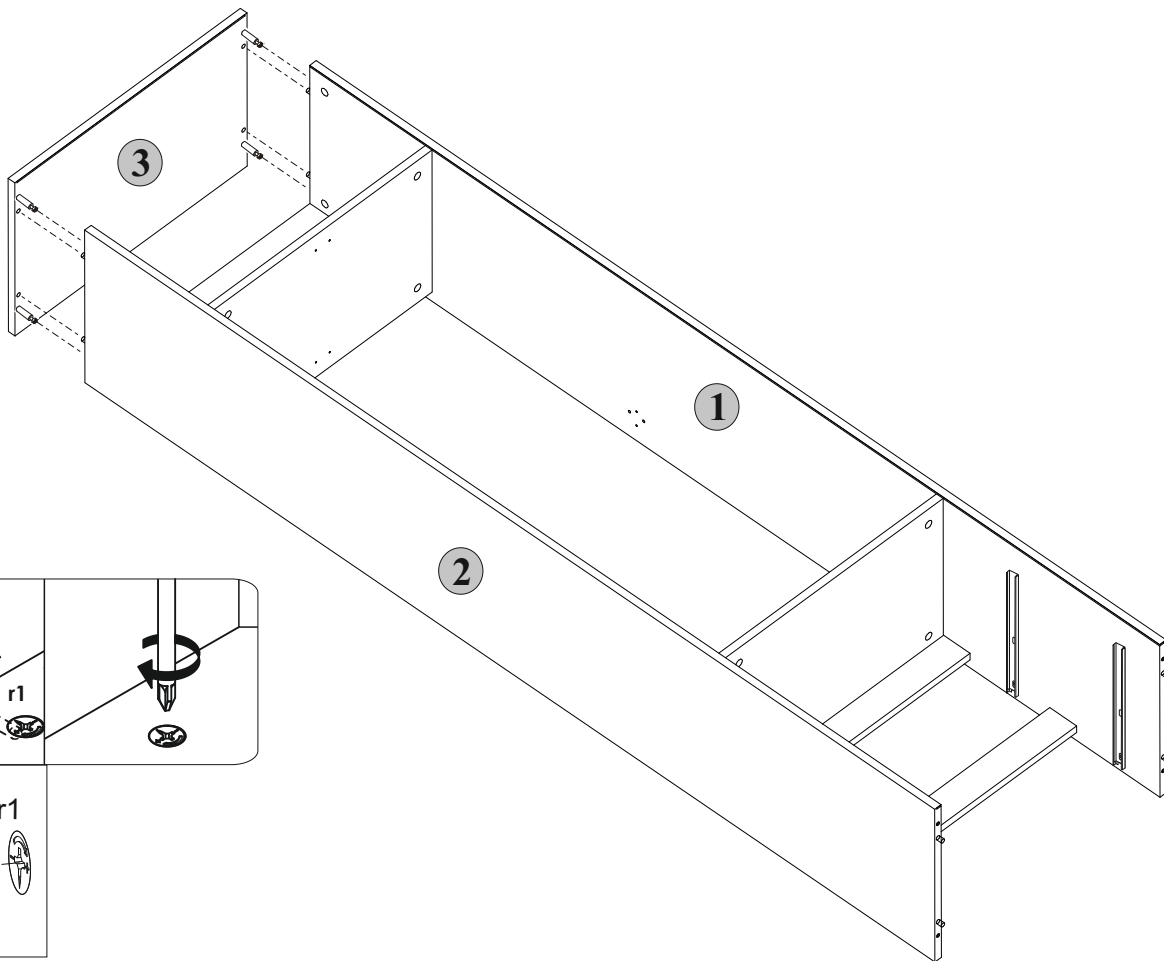


**3**

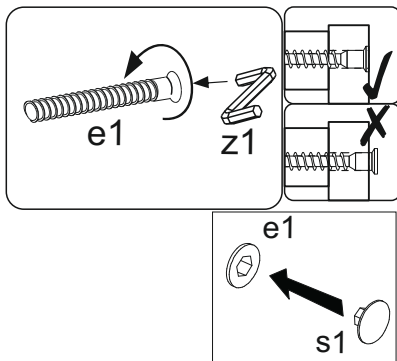
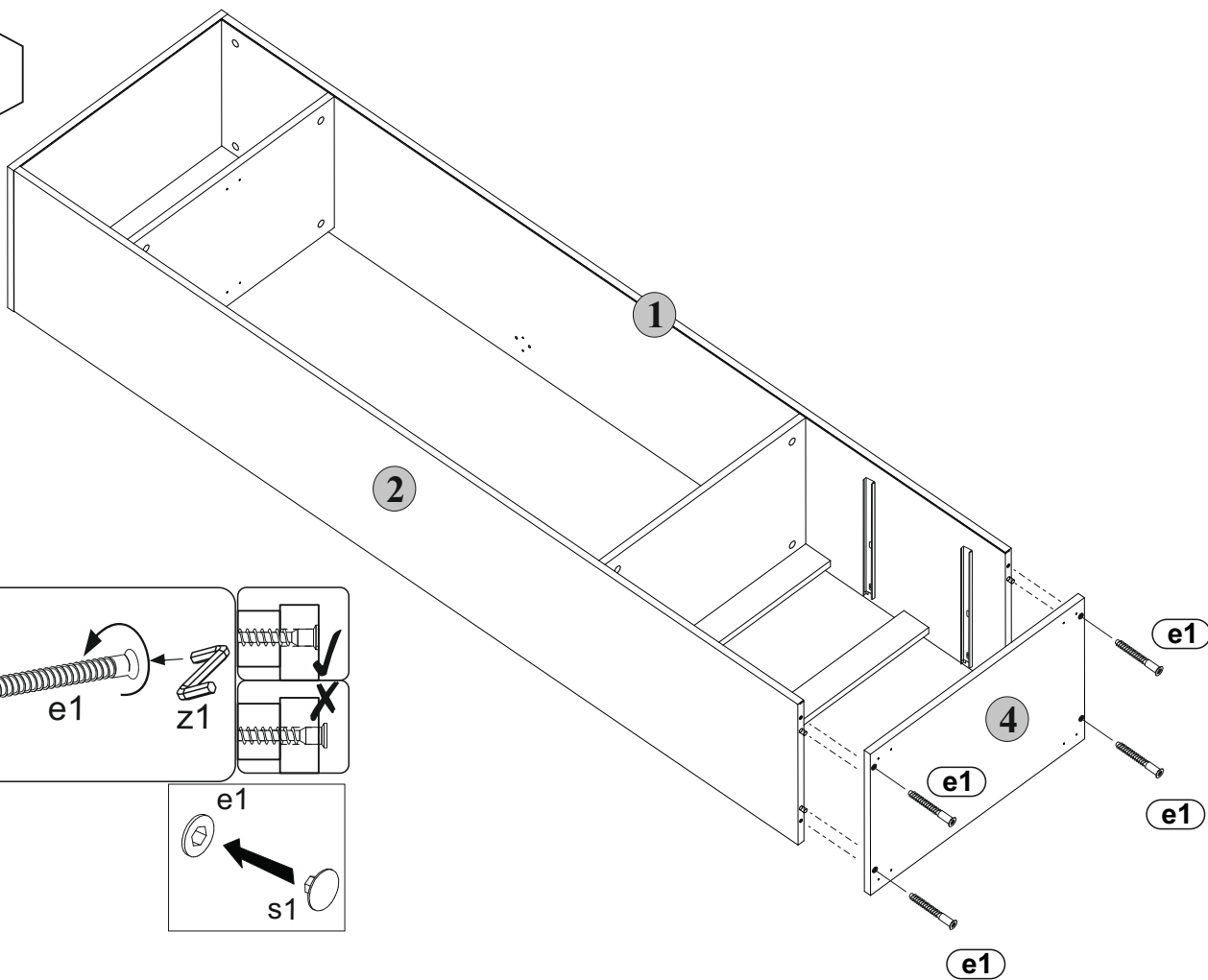


**3**

4

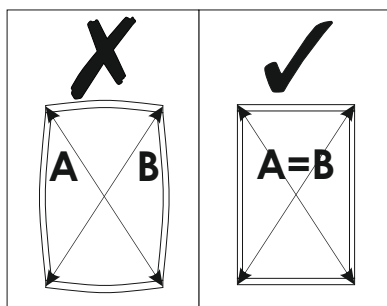
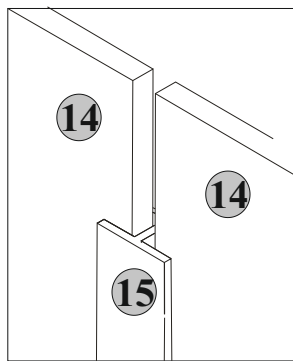
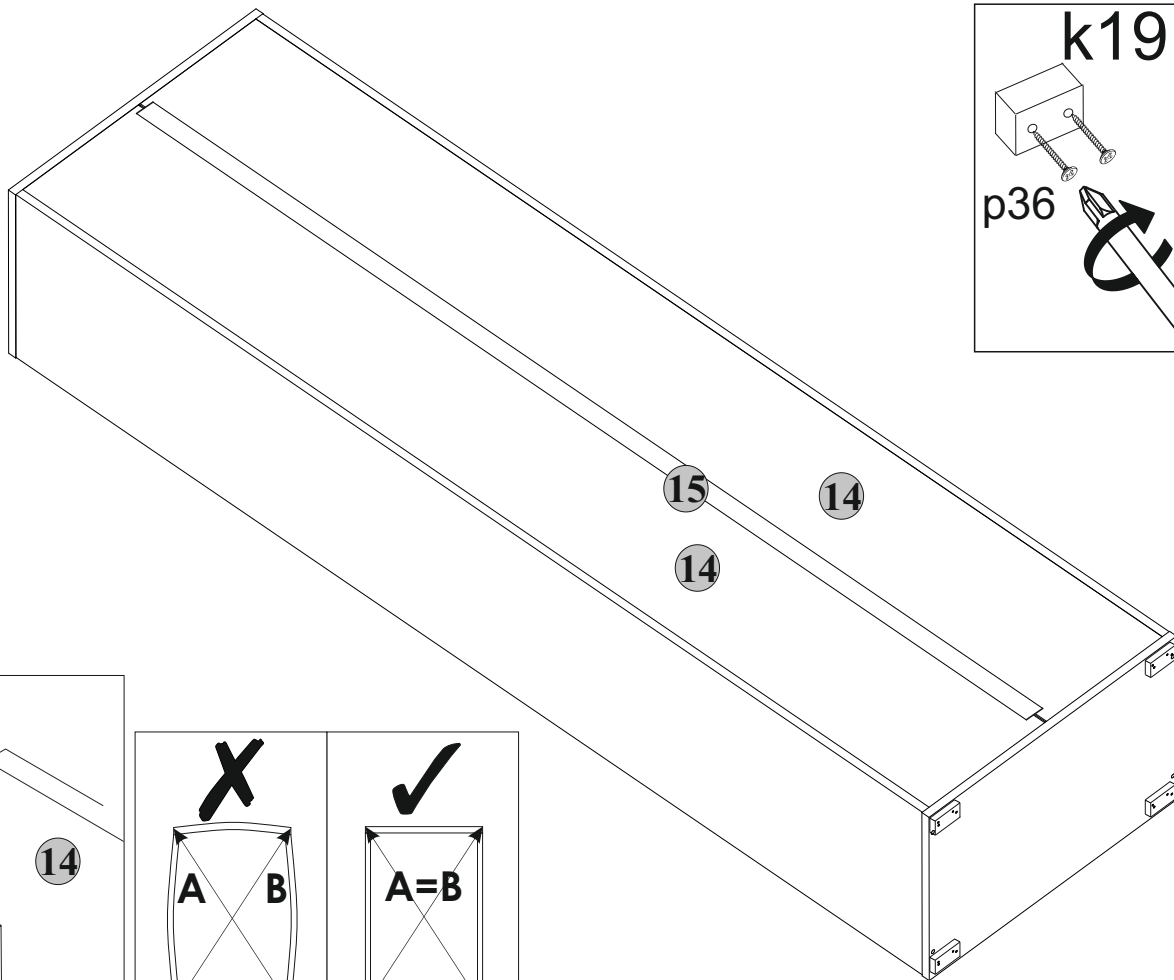


5

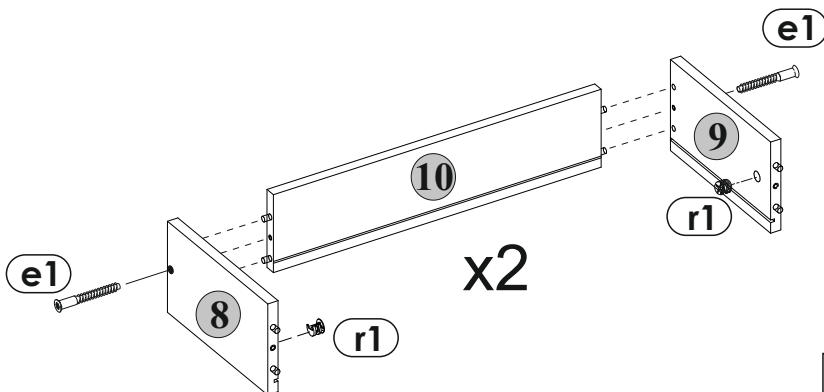
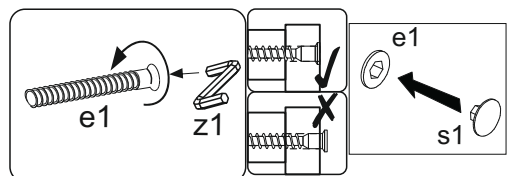
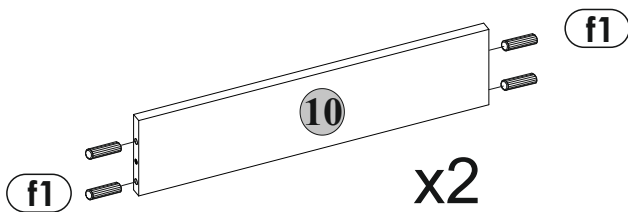
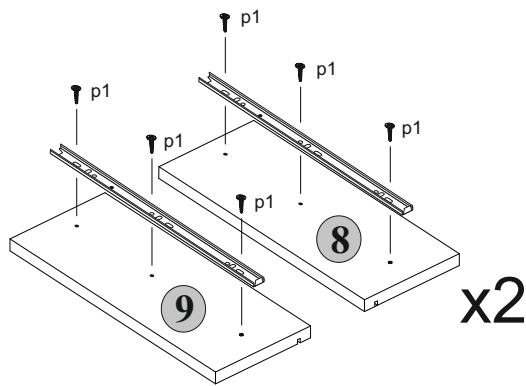
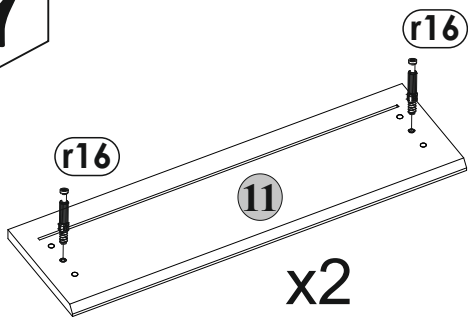


4

6

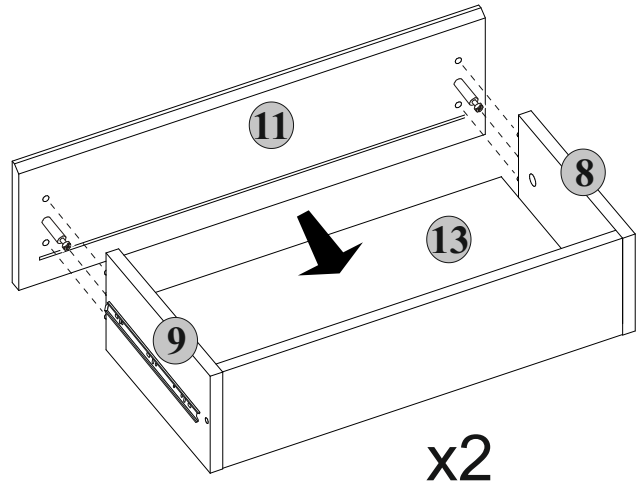
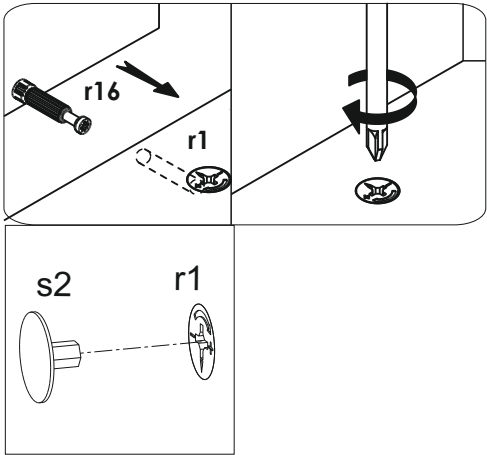


7



5

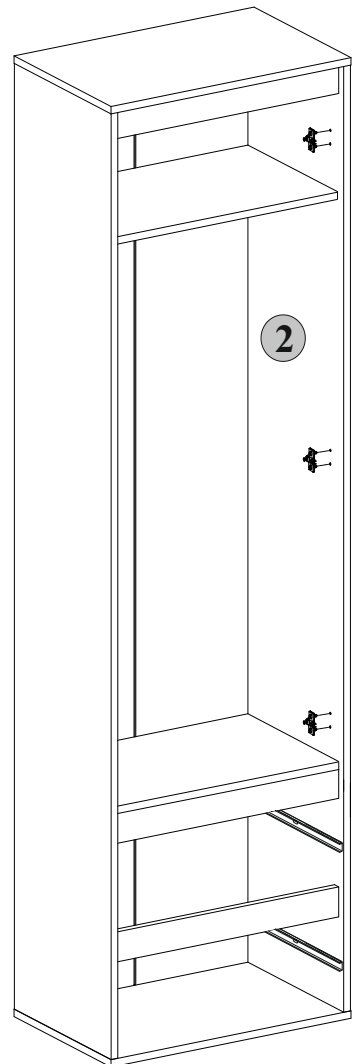
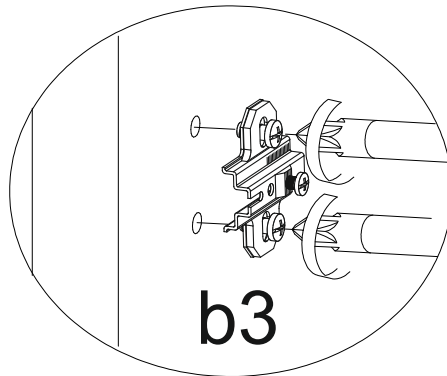
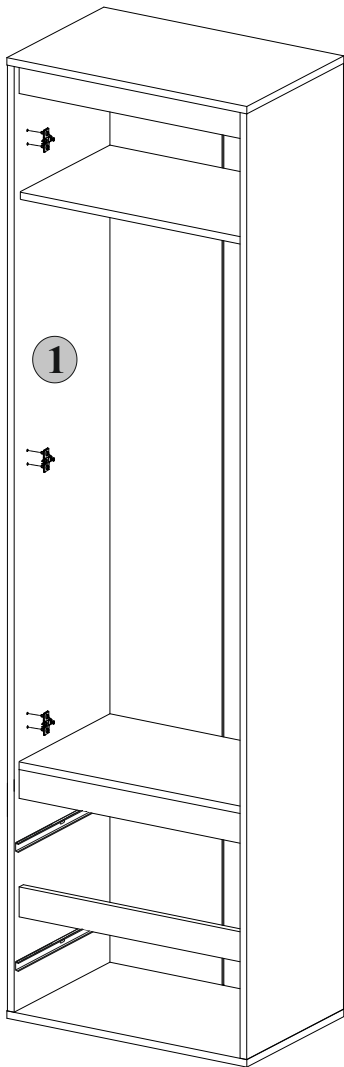
8



9

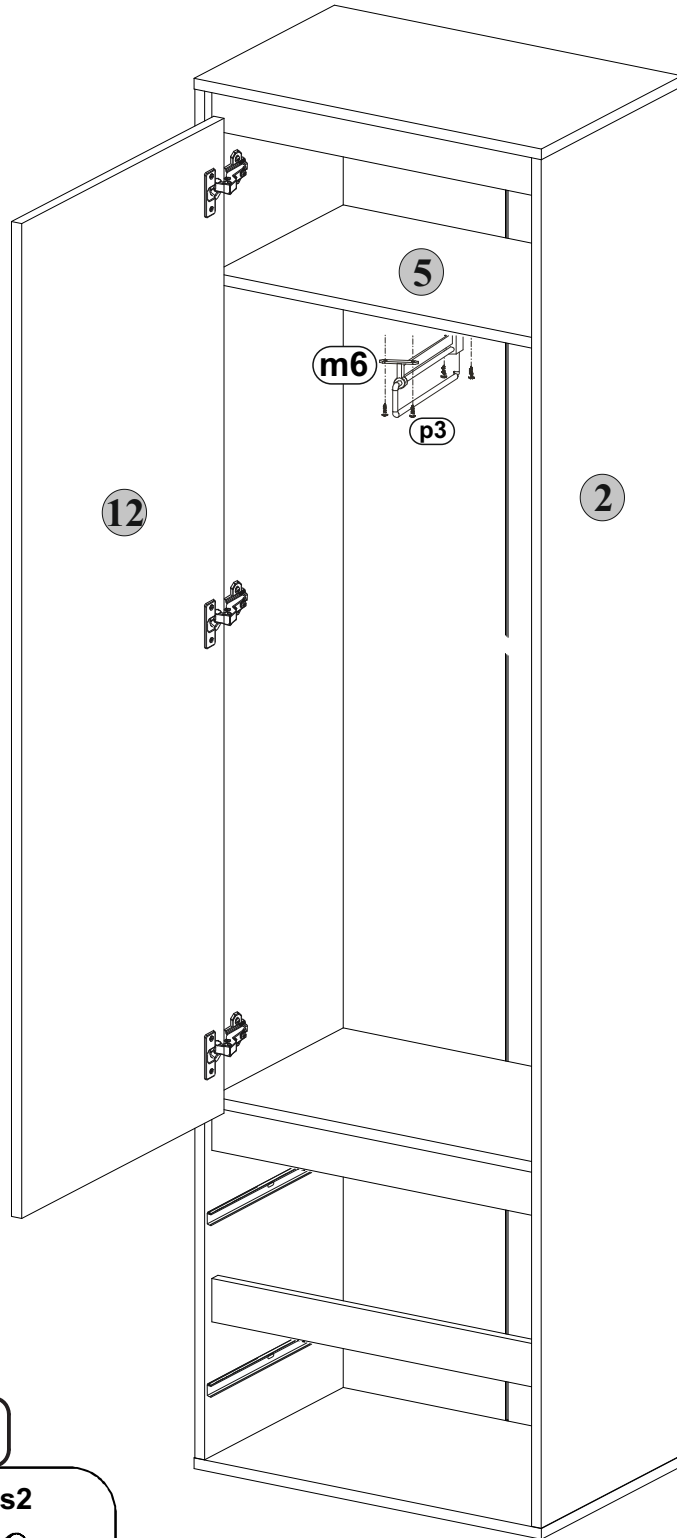
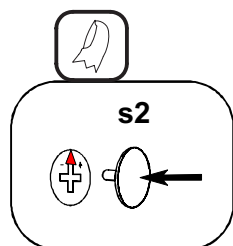
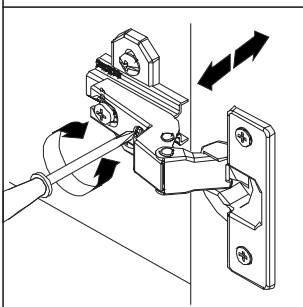
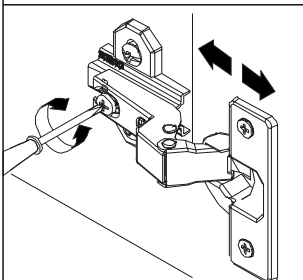
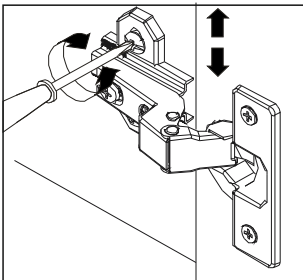
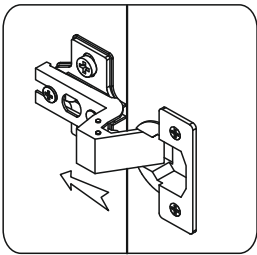
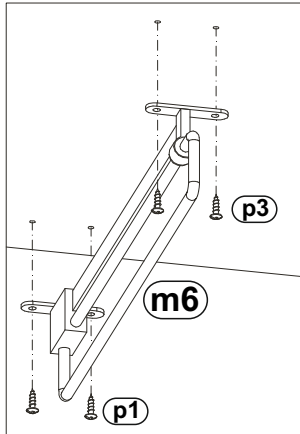
R

L

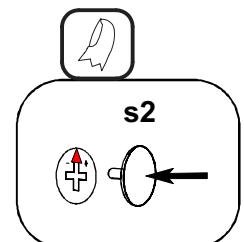
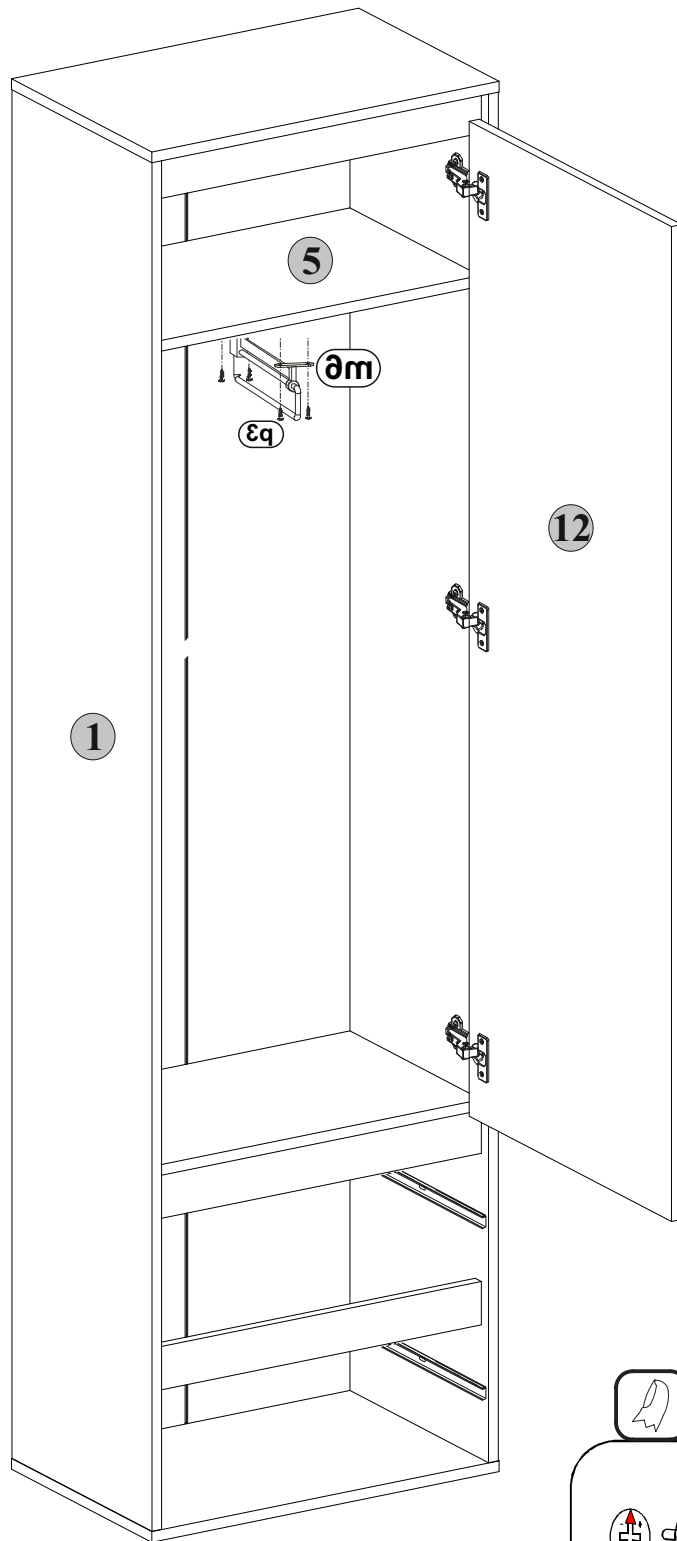
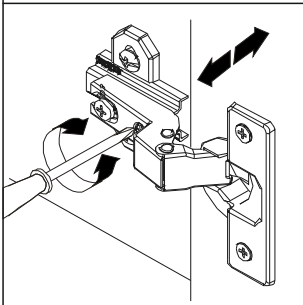
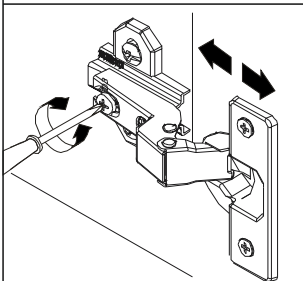
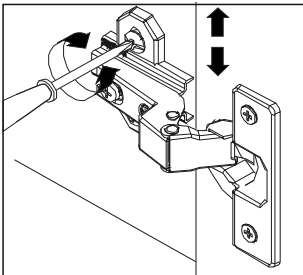
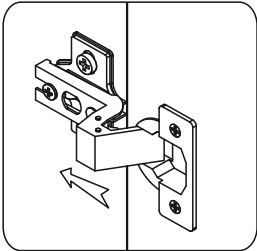
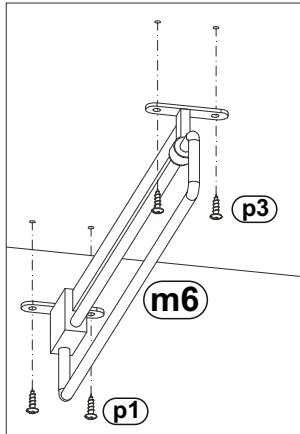


6

# 9L



# 9P



**10**

