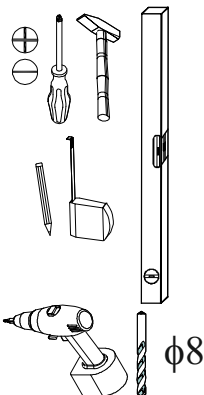
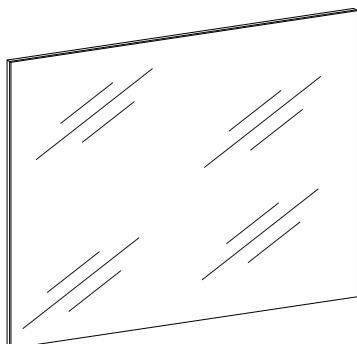
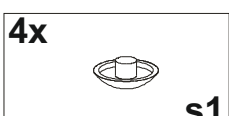
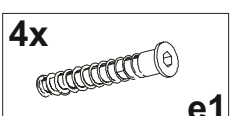
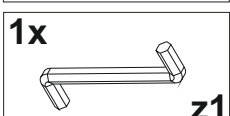
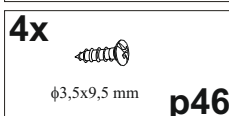
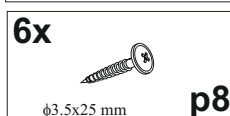
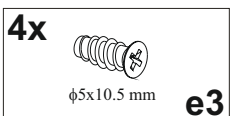
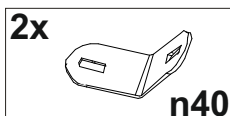
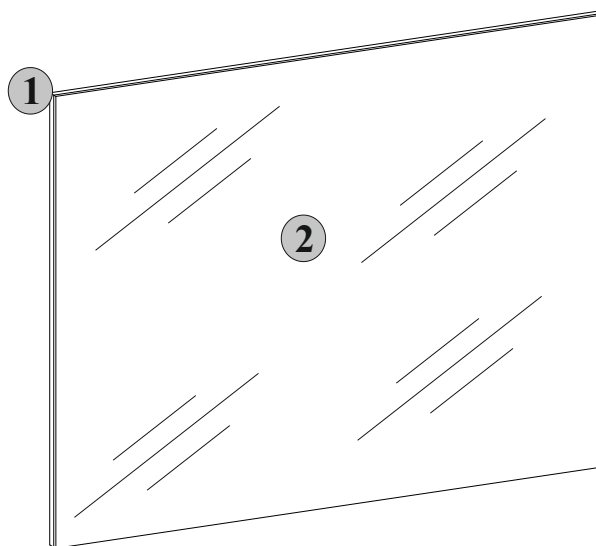
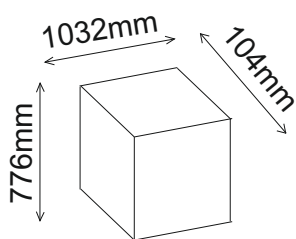


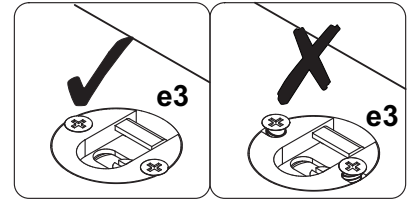
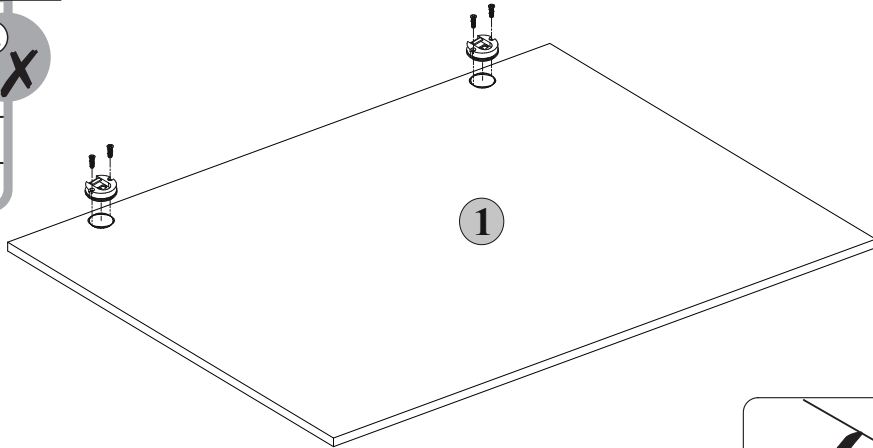
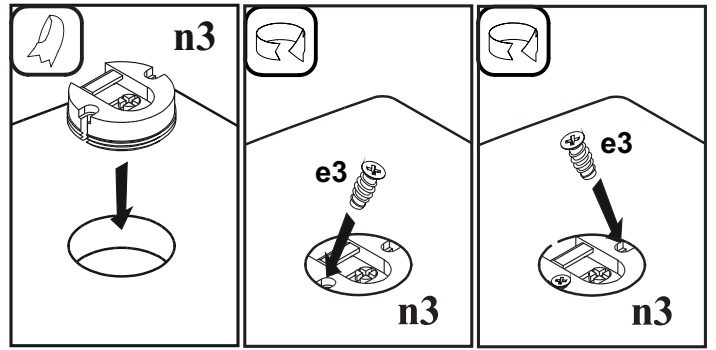
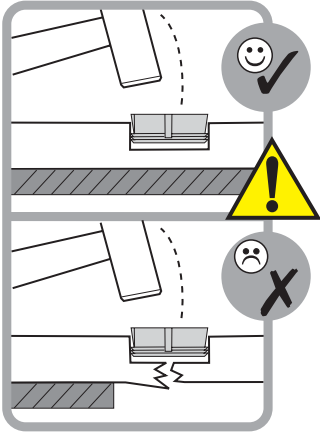
Mirror



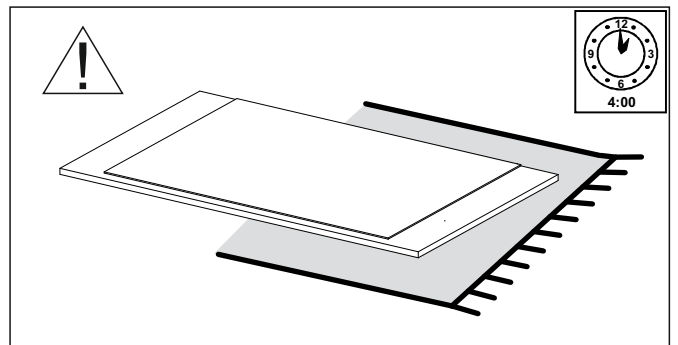
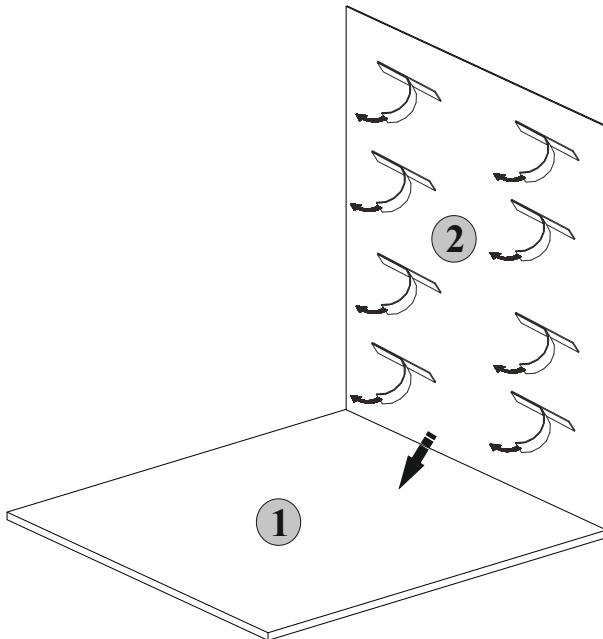
number	Measurements	Pcs.
1	700x910	1
2	912x44	1



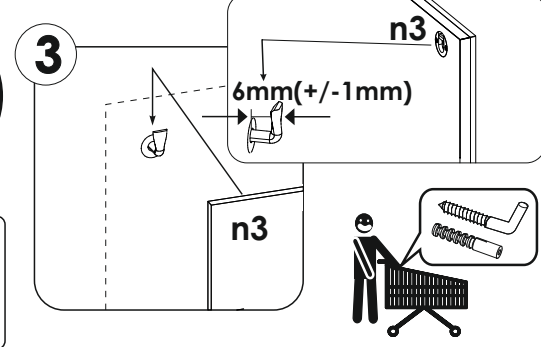
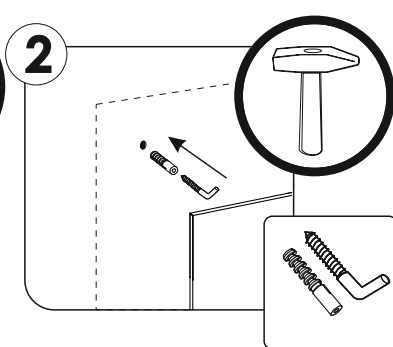
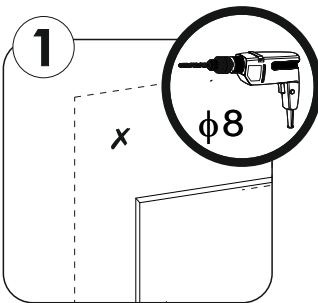
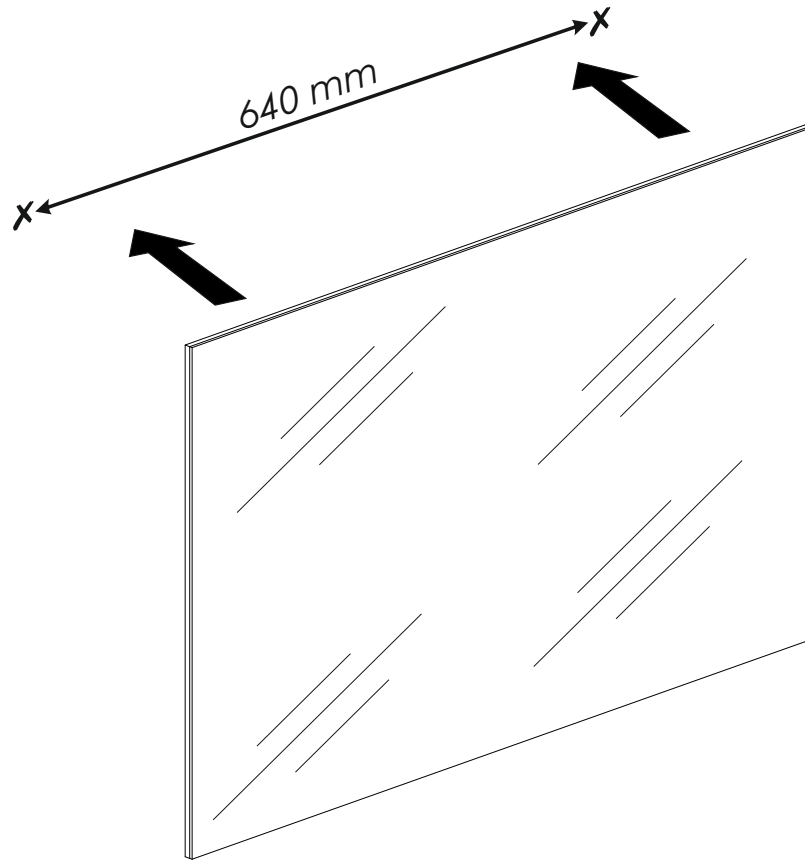
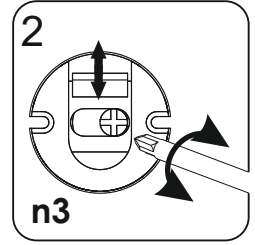
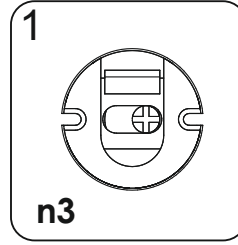
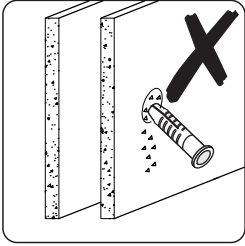
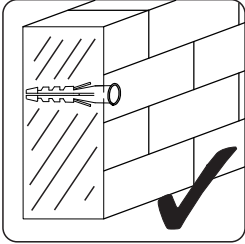
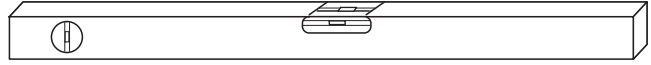
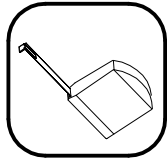
1



2



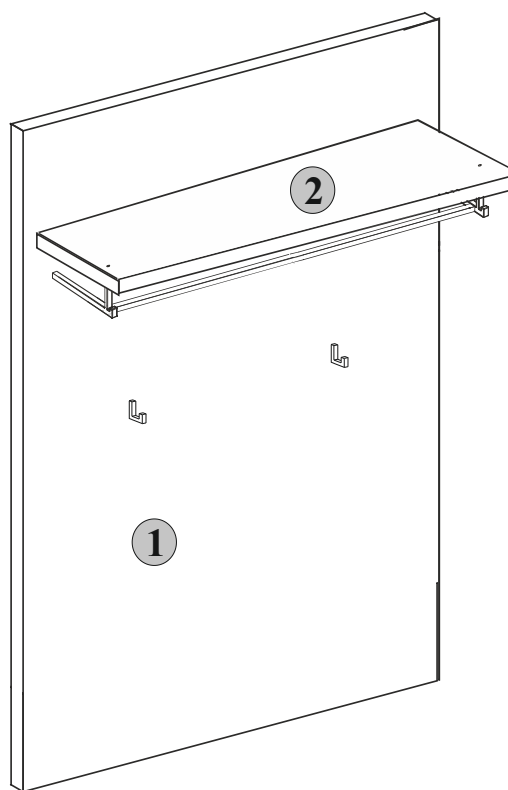
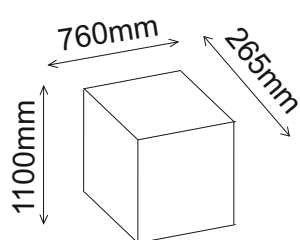
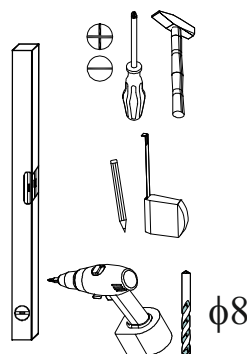
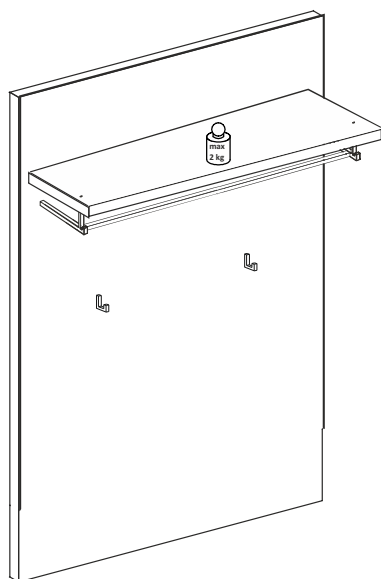
3


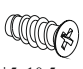



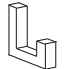

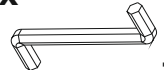
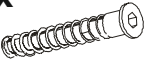



3

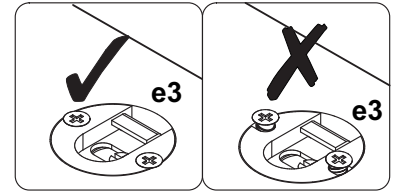
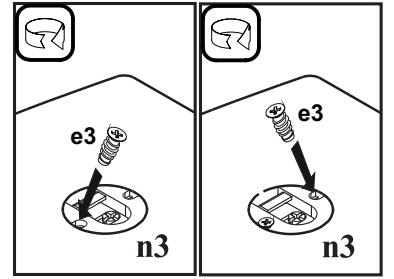
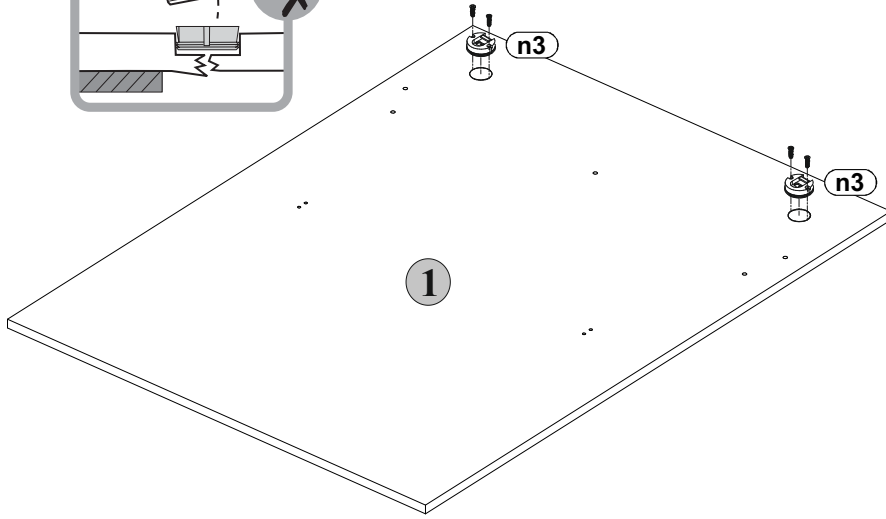
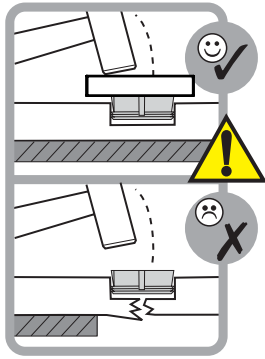
Hanger w shelf

number	Measurements	Pcs.
1	1100x760	1
2	720x250	1

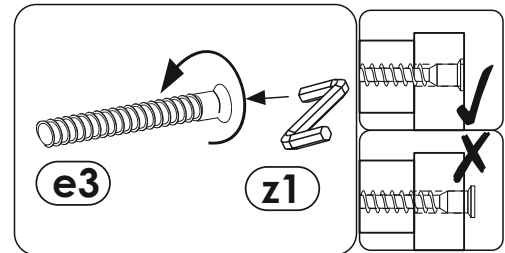
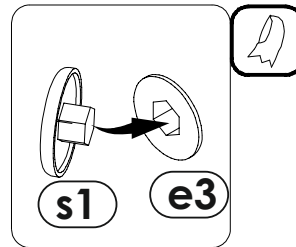
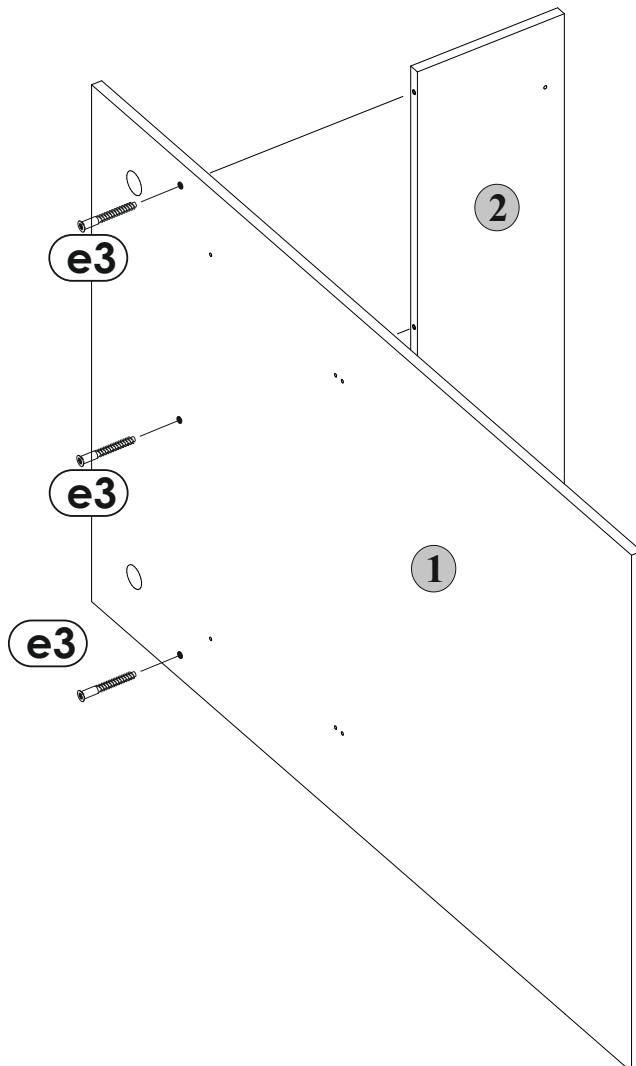


2x  n3	4x  φ5x10.5 mm e3	1x  550 mm g34	1x  g33L	1x  g33P	2x  g31
8x  φ4x22 mm j30	1x  z1	3x  e3	3x  s1	1	

1

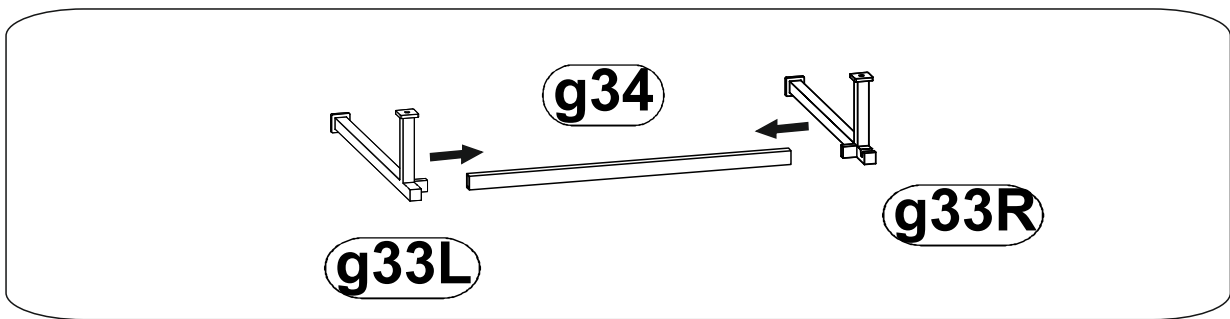
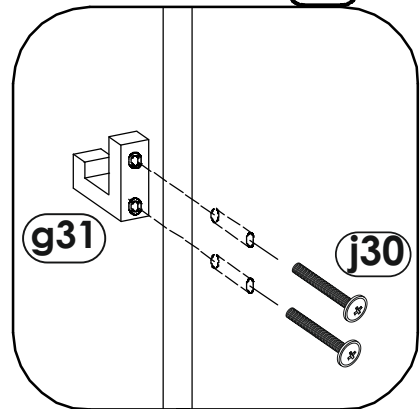
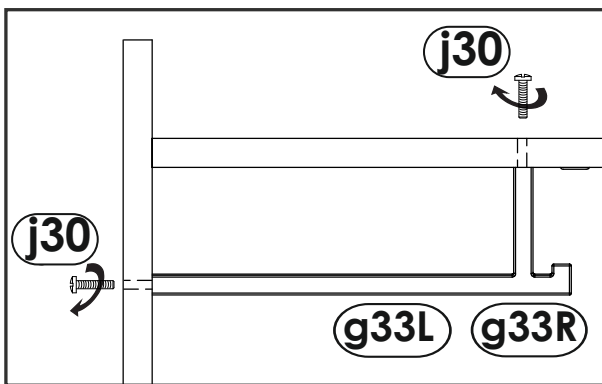
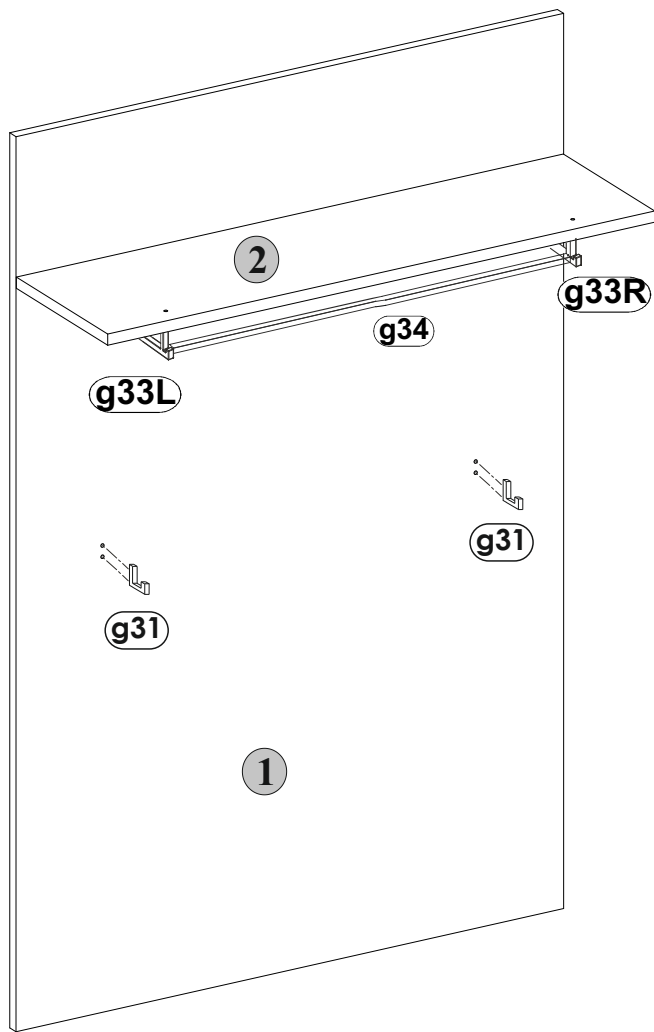
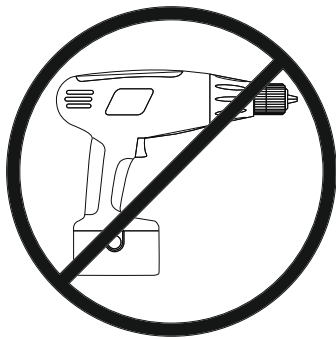


2



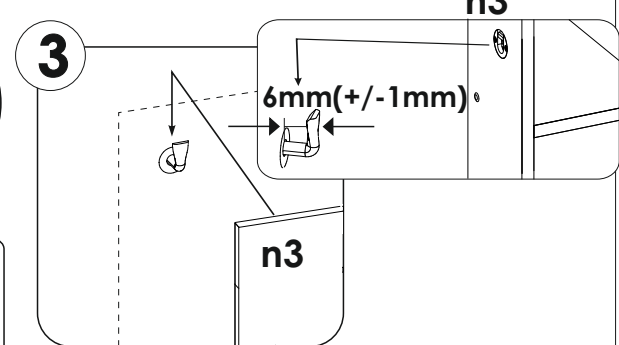
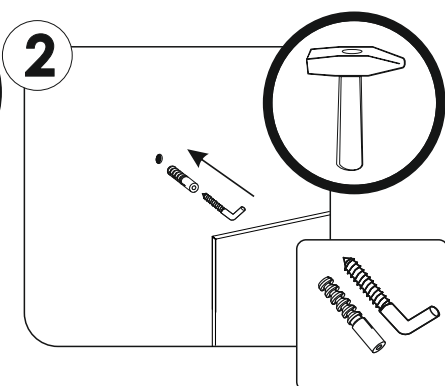
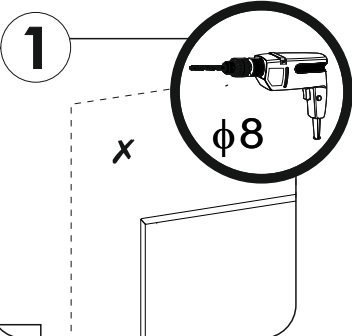
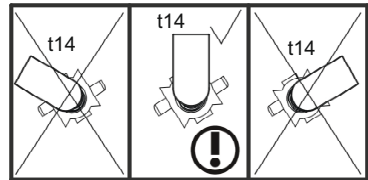
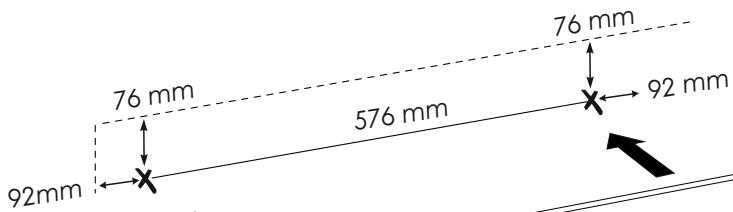
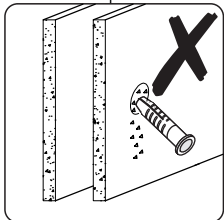
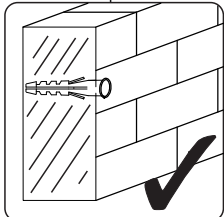
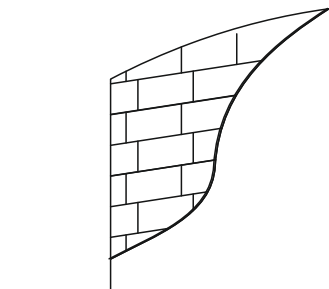
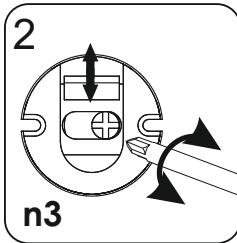
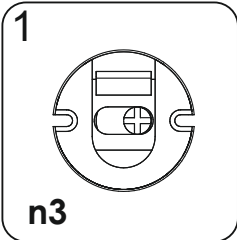
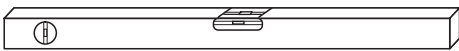
2

3

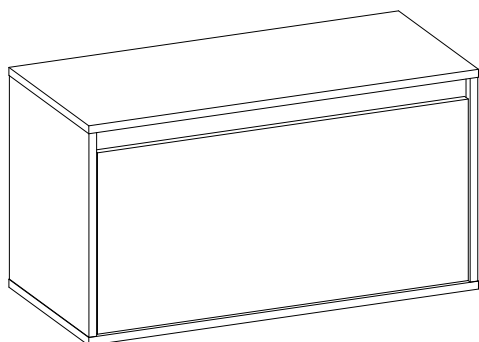


3

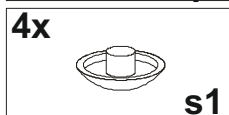
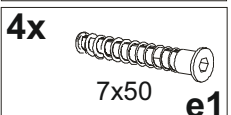
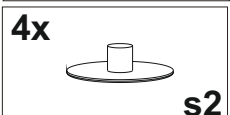
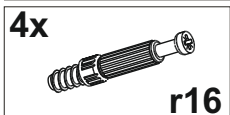
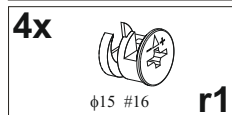
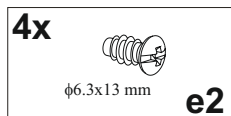
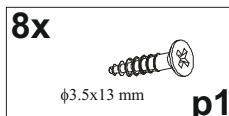
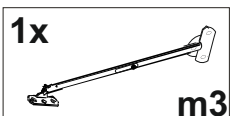
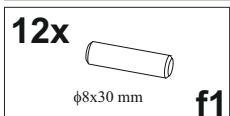
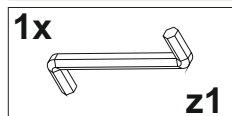
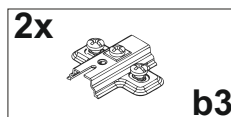
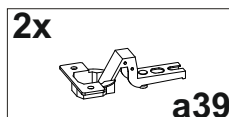
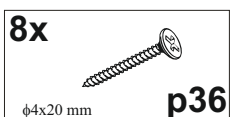
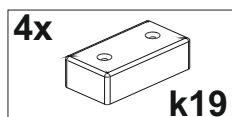
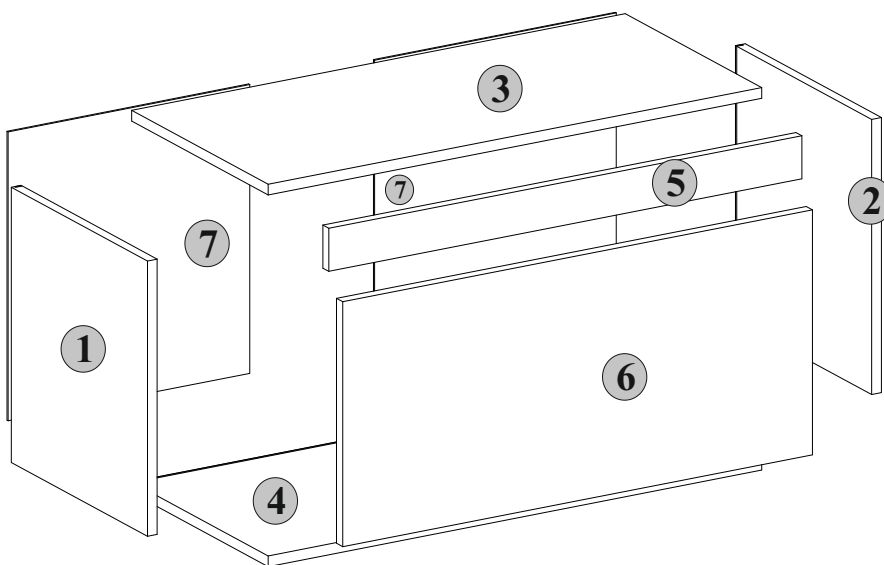
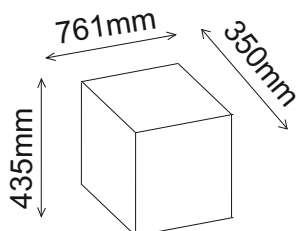
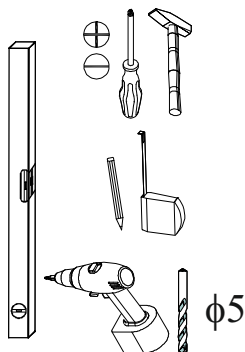
4



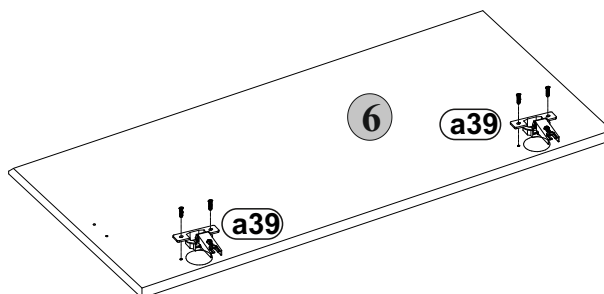
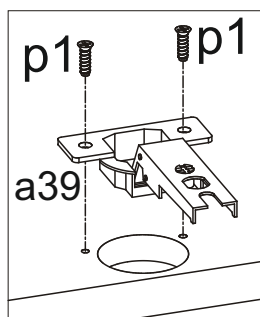
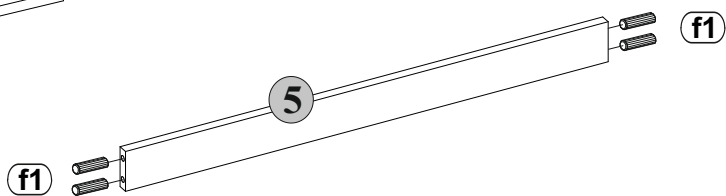
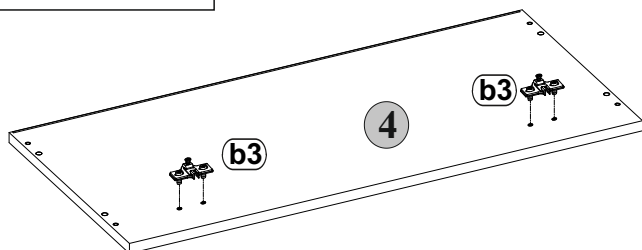
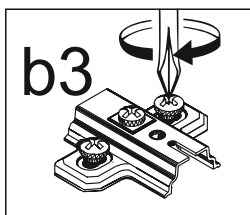
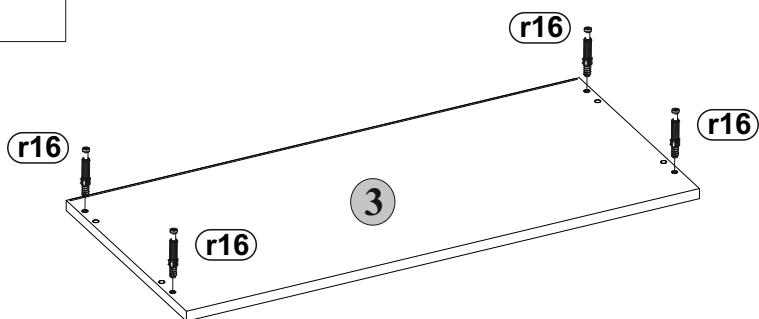
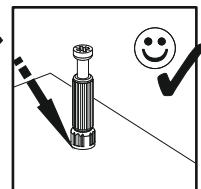
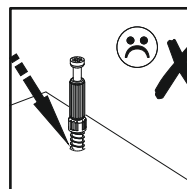
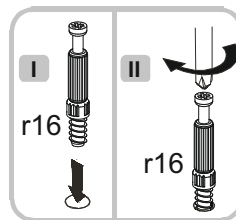
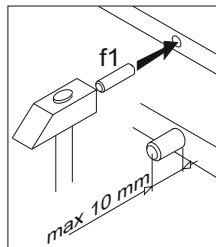
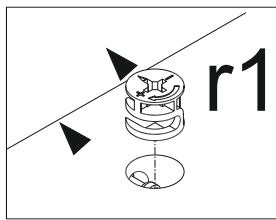
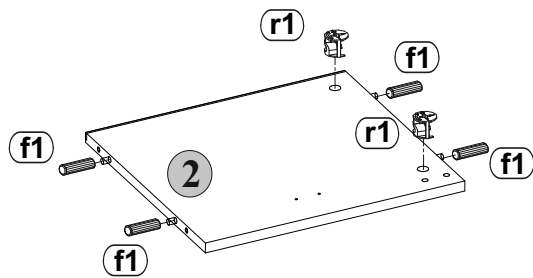
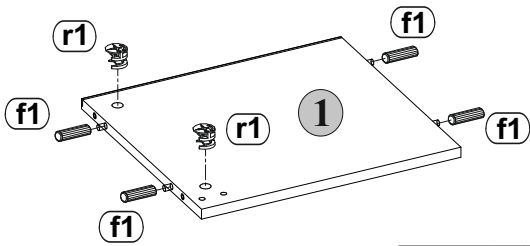
Sideboard 1D



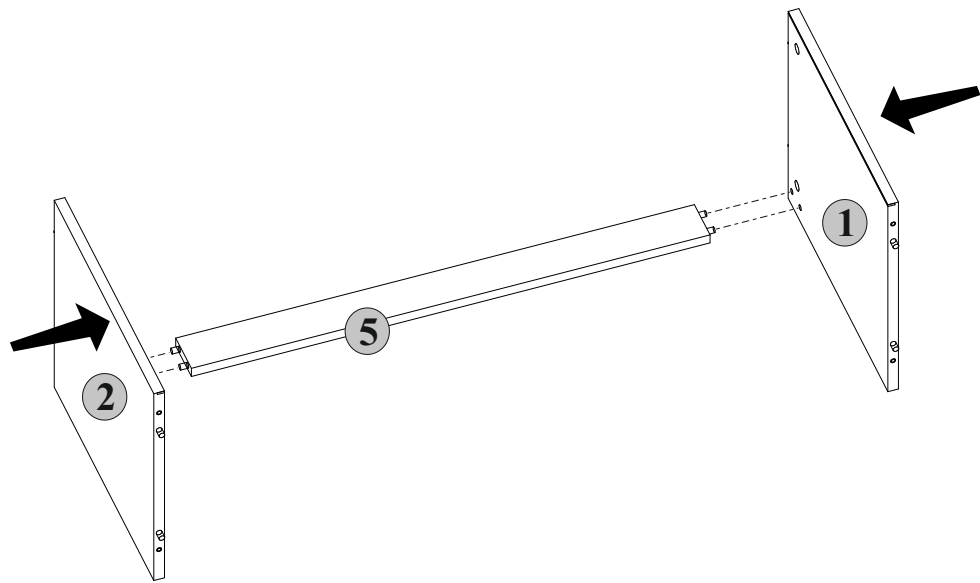
number	Measurements	Pcs.
1	385x349	1
2	385x349	1
3	761x350	1
4	761x350	1
5	730x60	2
6	724x342	1
7	404x373	1
8	380x	1



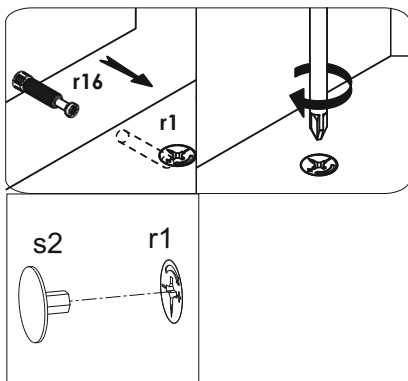
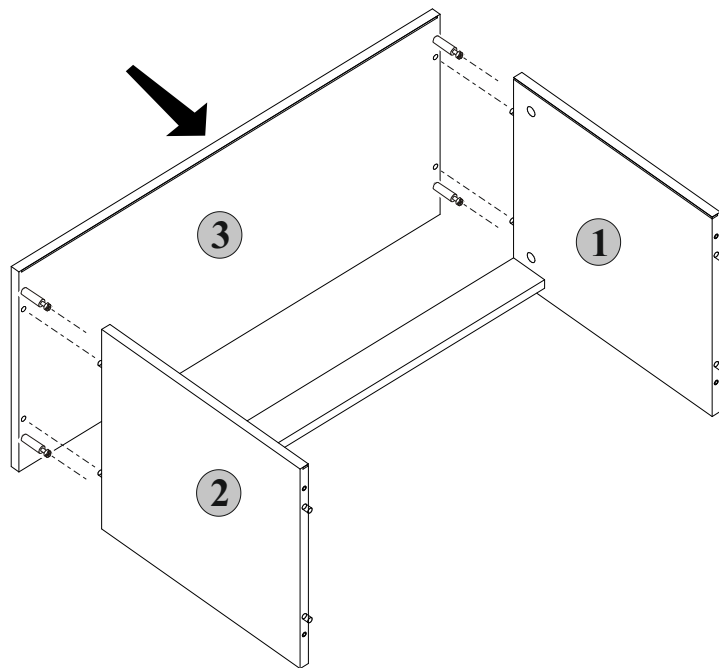
I



2

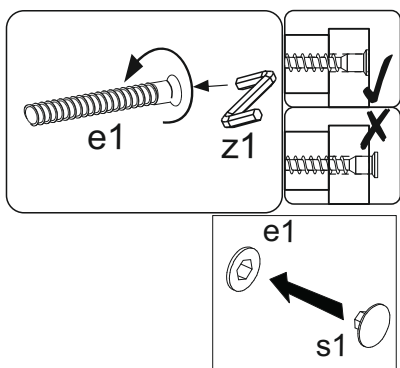
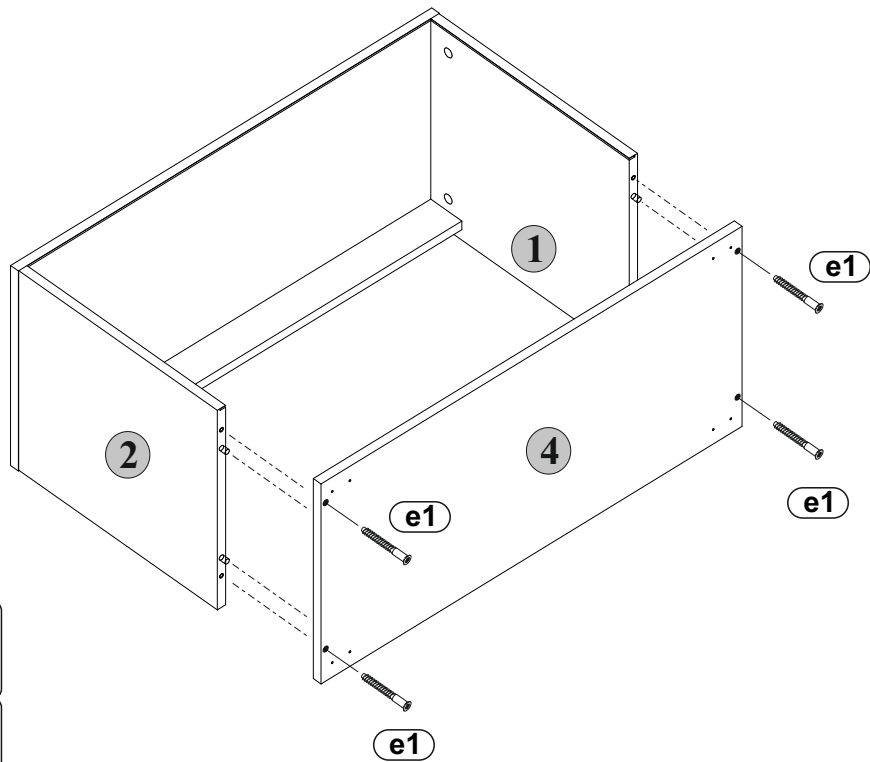


3

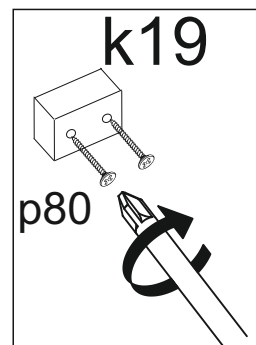
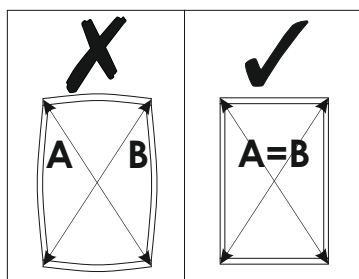
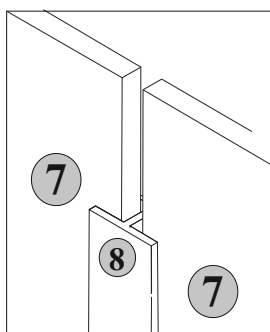
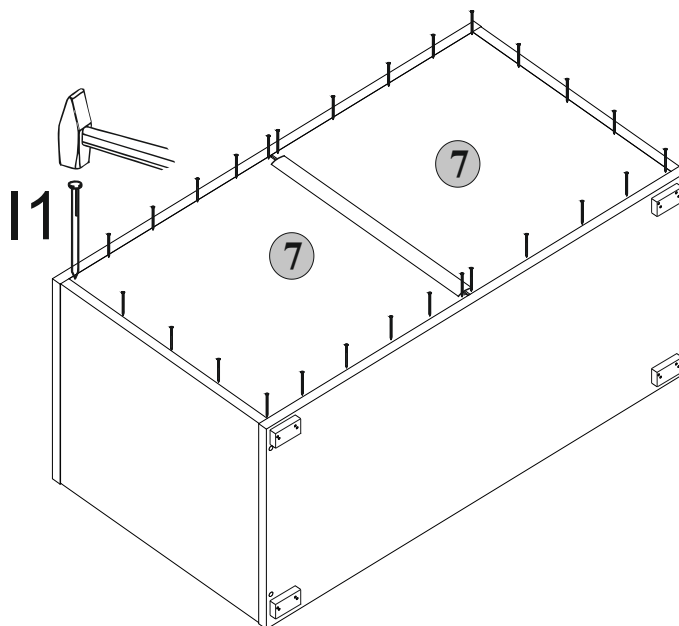


3

4

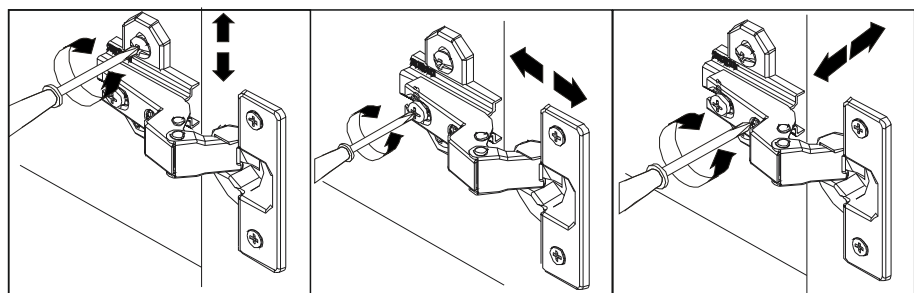
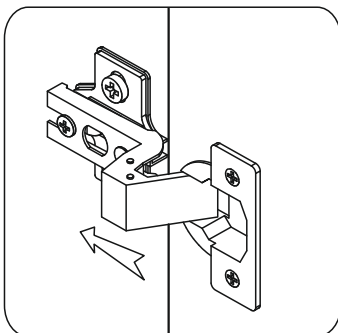
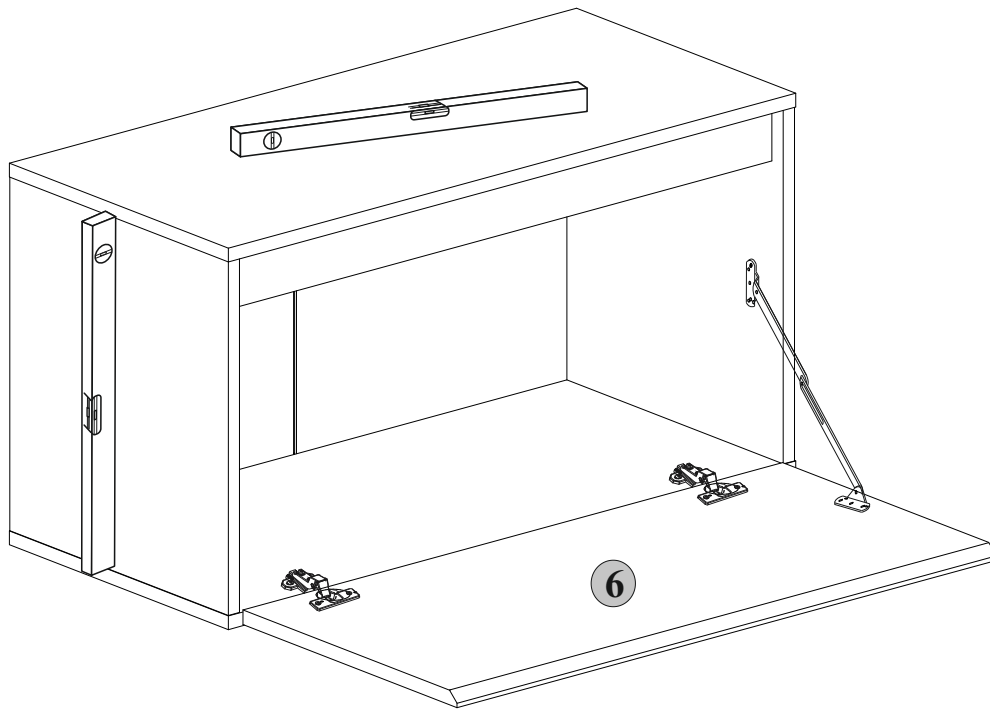
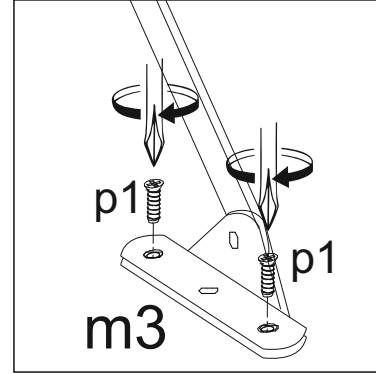
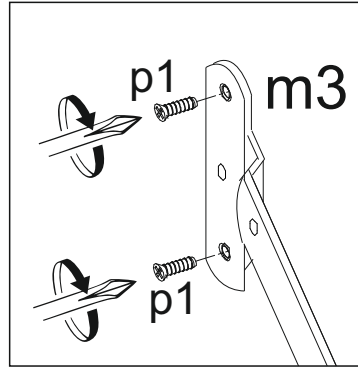
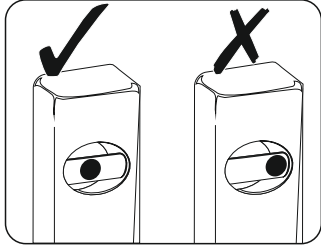


5



4

6

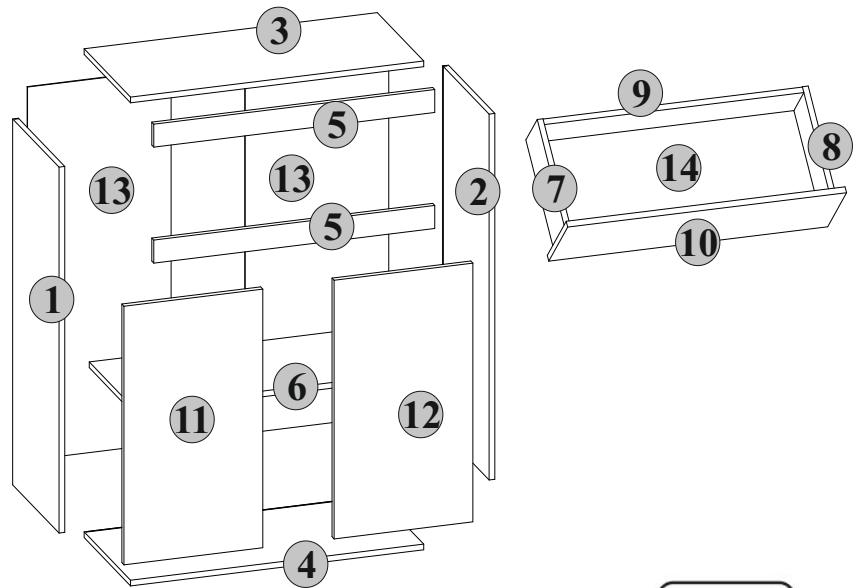
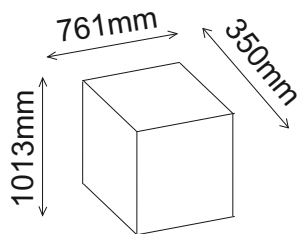
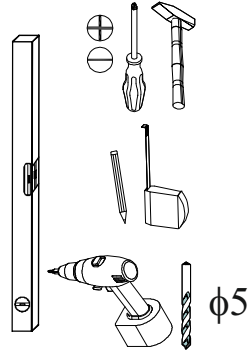
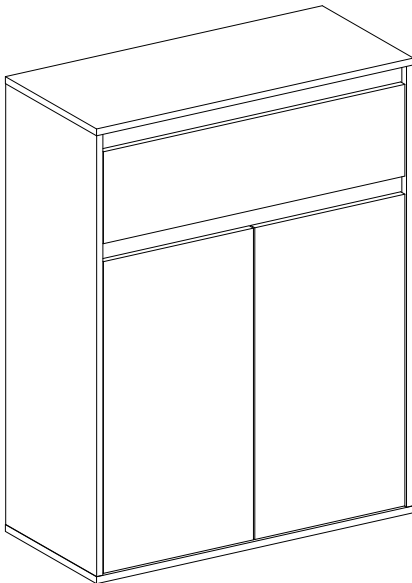


5

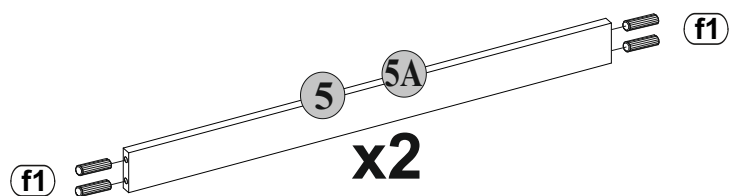
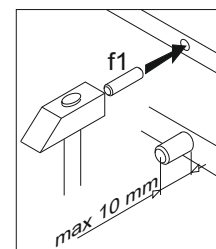
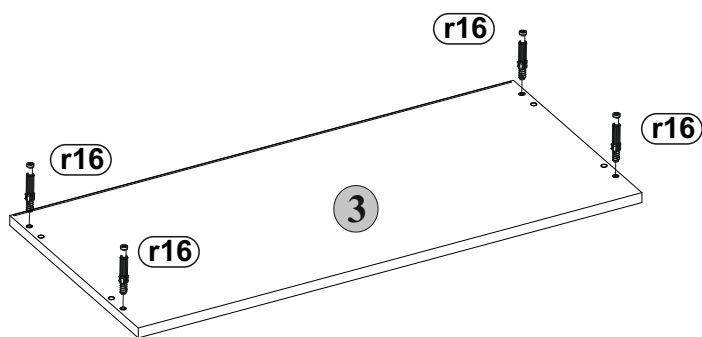
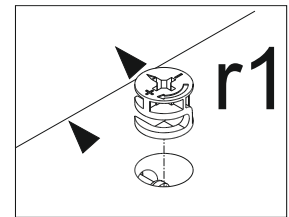
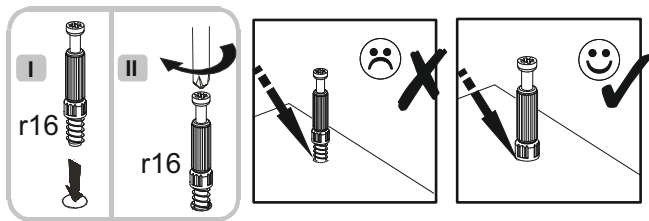
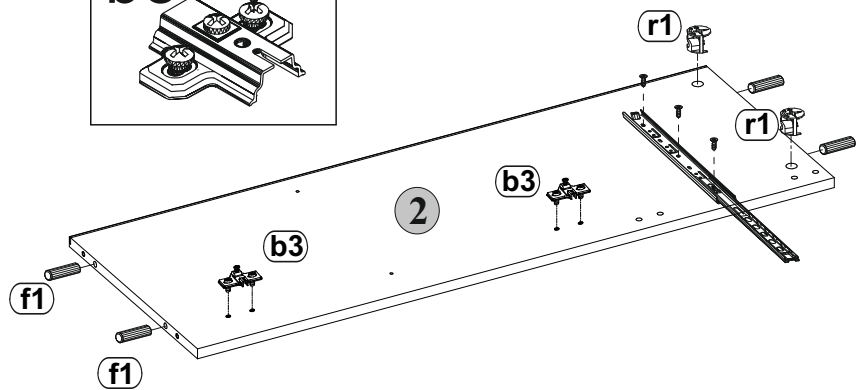
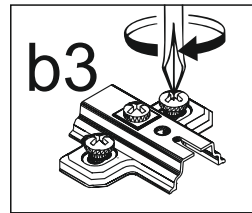
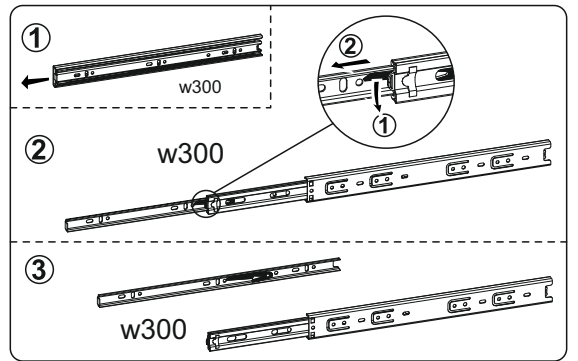
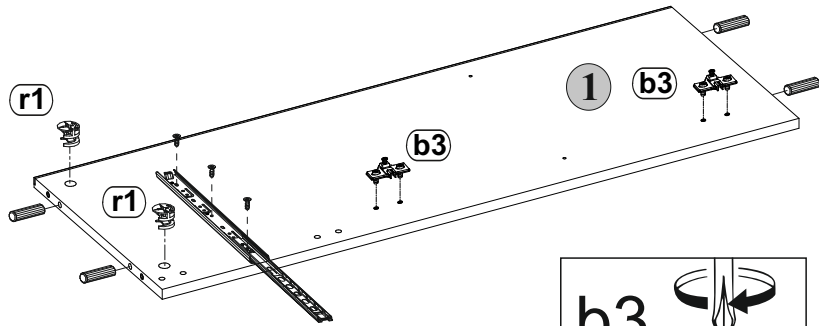
Chest of 2D1Drw



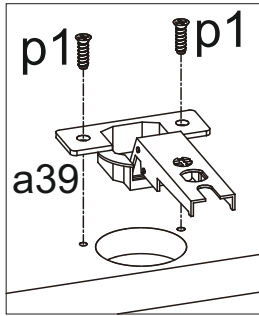
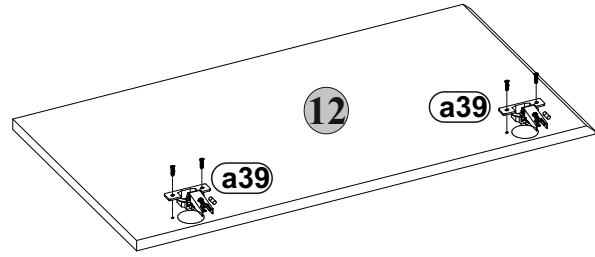
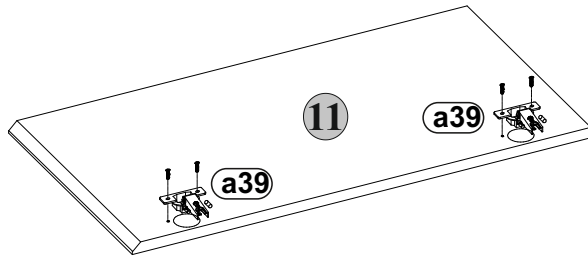
number	Measurements	Pcs.
1	963x349	1
2	963x349	1
3	761x350	1
4	761x350	1
5,5A	730x60	2
6	729x327	1
7	300x120	1
8	300x120	1
9	674x120	1
10	724x200	1
11	680x360	1
12	680x360	1
13	982x373	2
14	684x295	1
15	960x	1



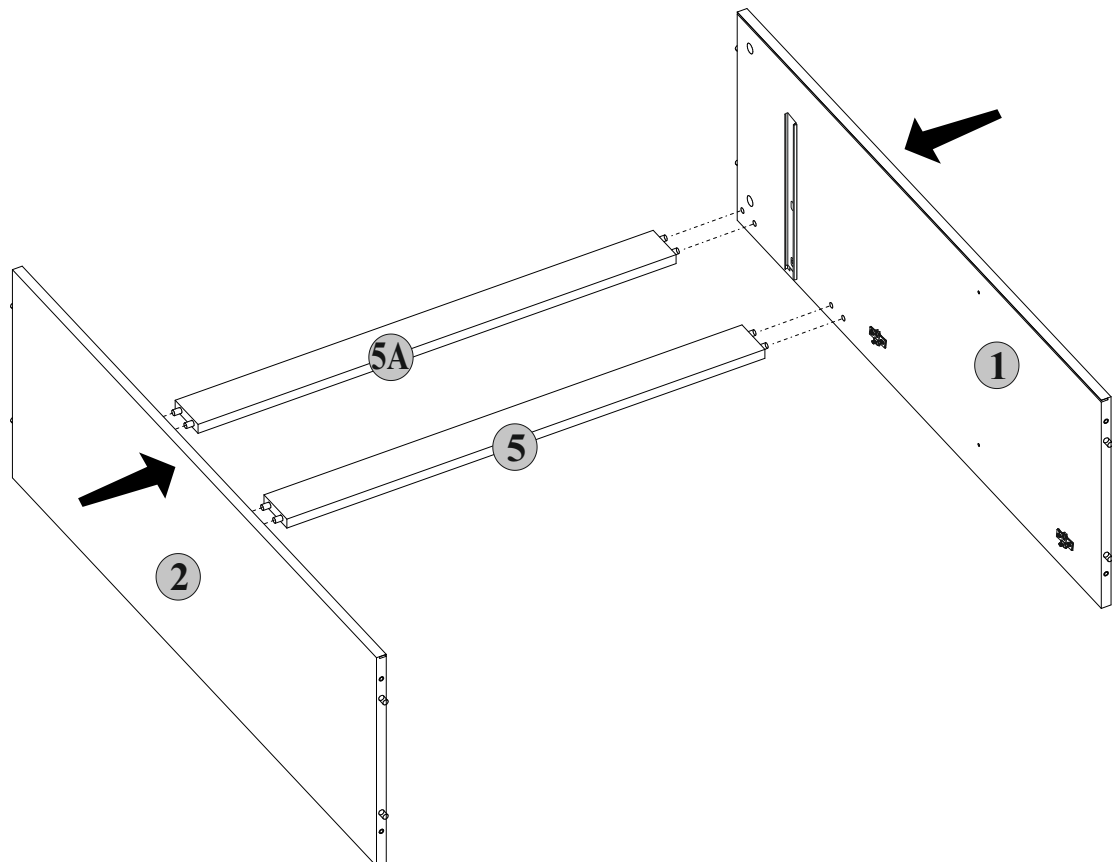
4x k19	8x φ4x20 mm p36	4x φ4x17 mm d1	1x w300	4x a39	4x b3
1x z1	24x φ8x30 mm f1	2x k19	40x l1	20x φ3.5x13 mm p1	8x φ6.3x13 mm e2
6x φ15 #16 r1	6x r16	6x s2	6x 7x50 e1	6x s1	



2

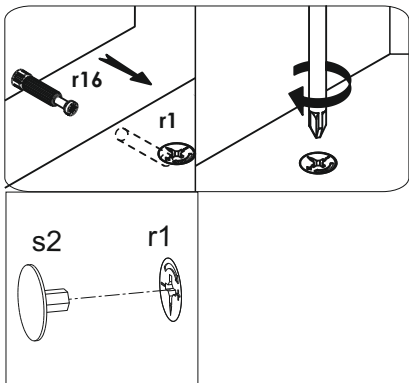
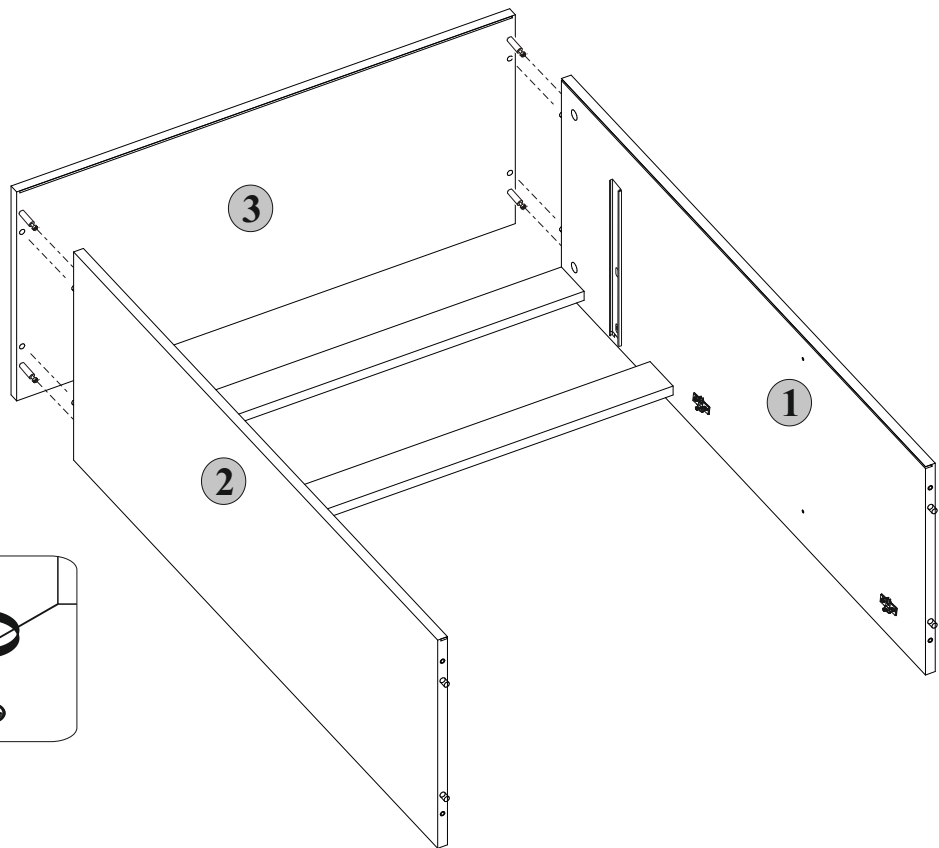


3

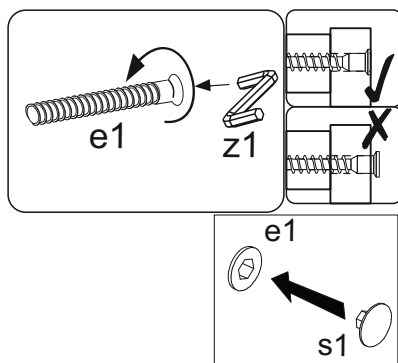
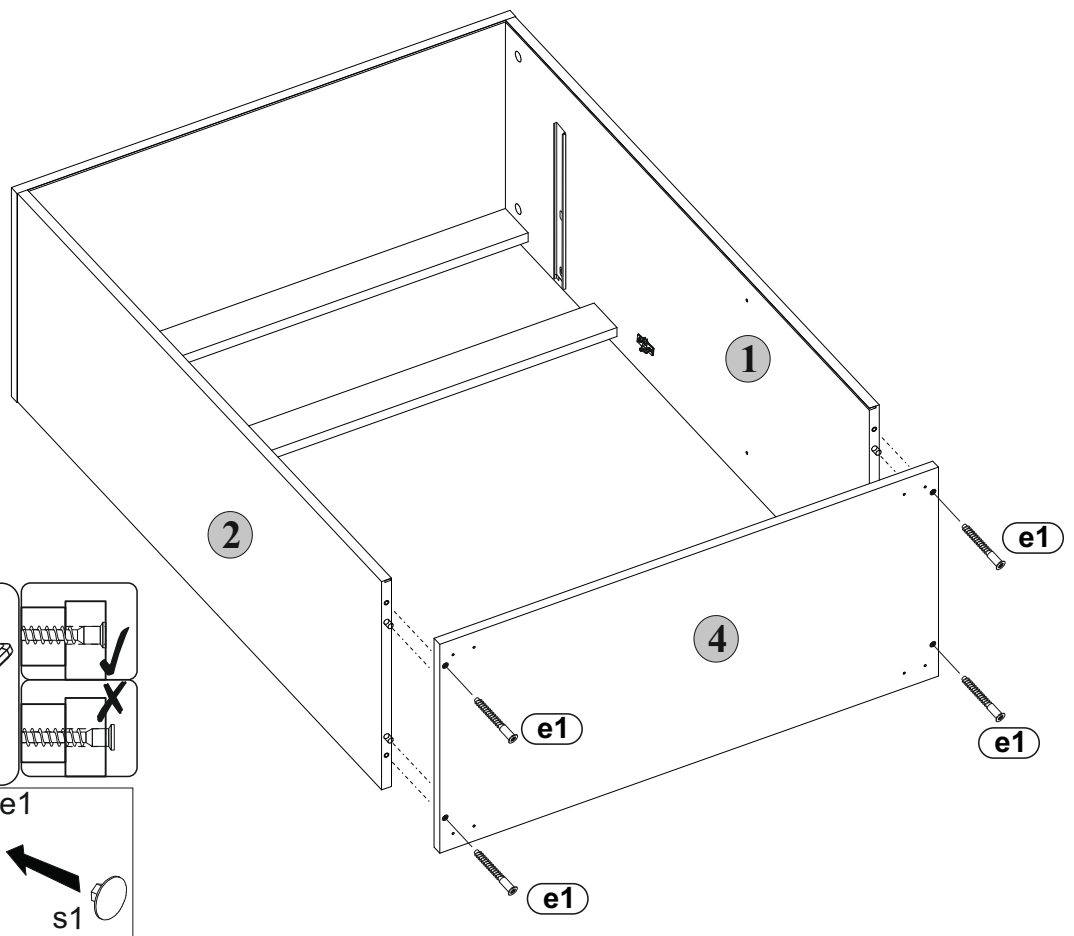


3

4

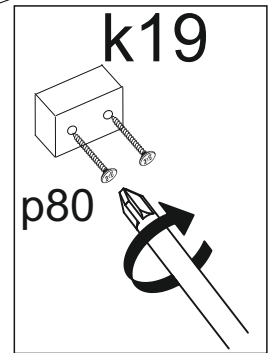
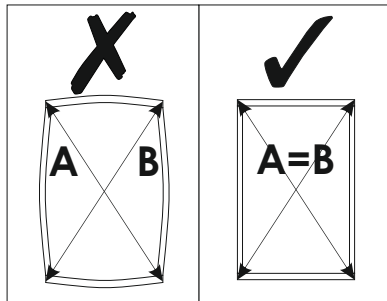
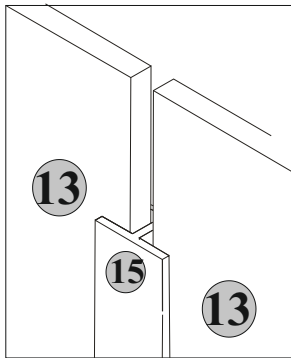
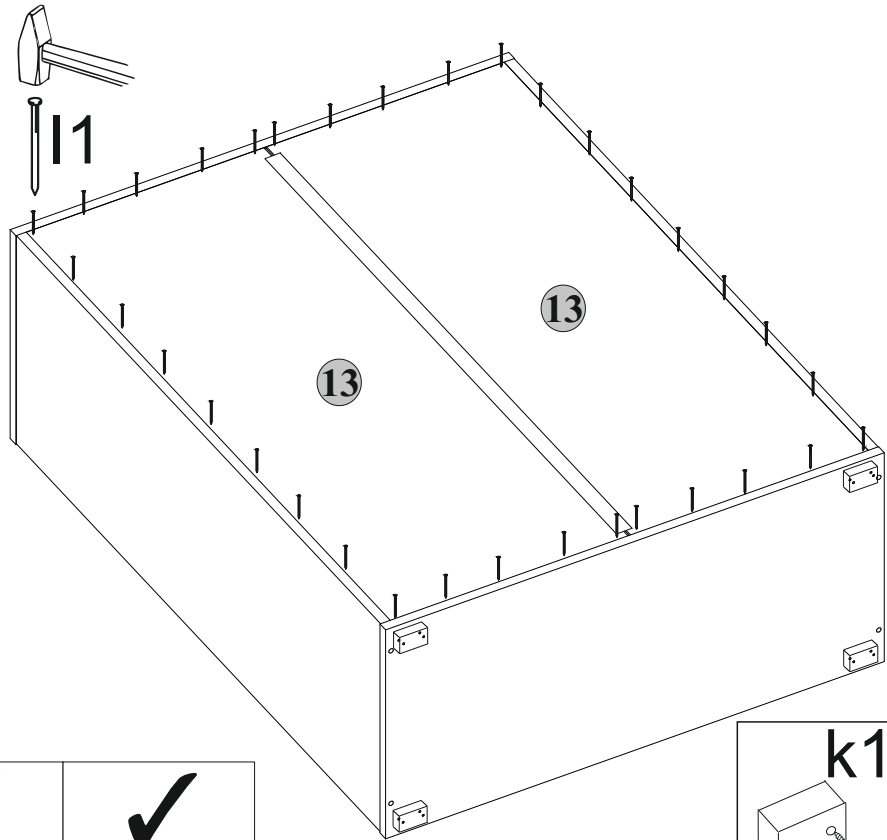


5

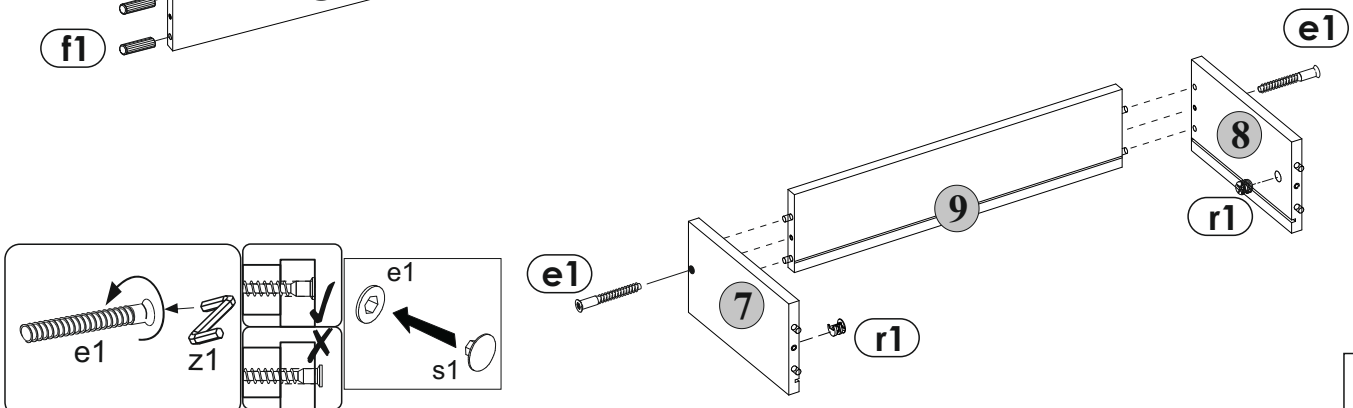
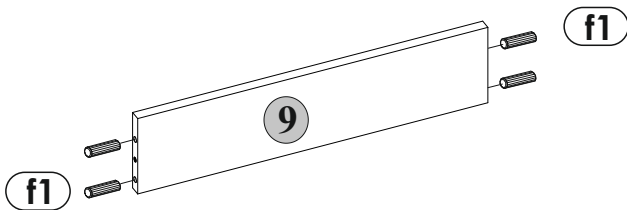
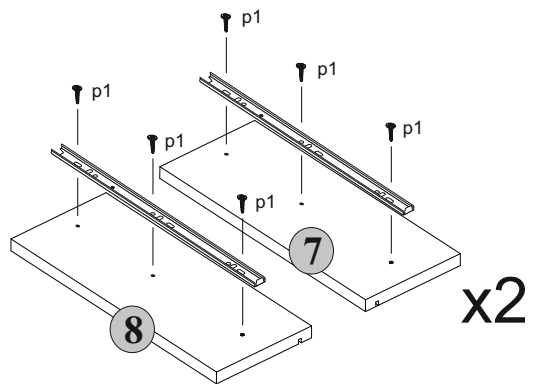
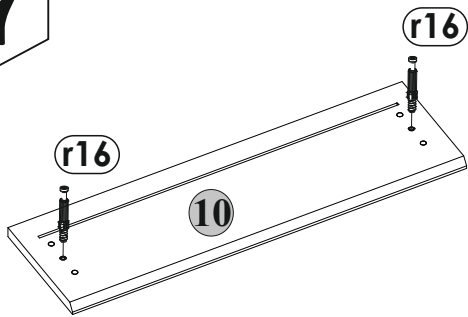


4

6

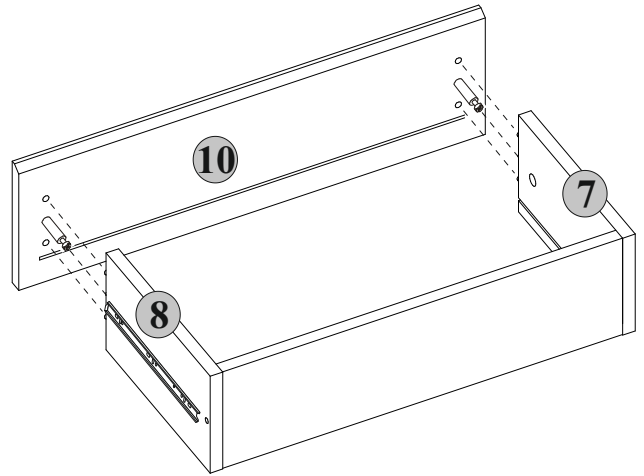
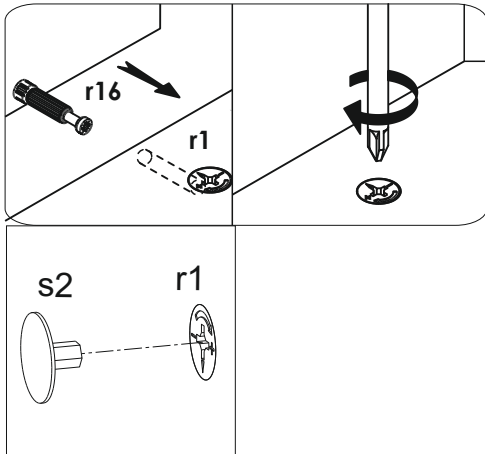


7

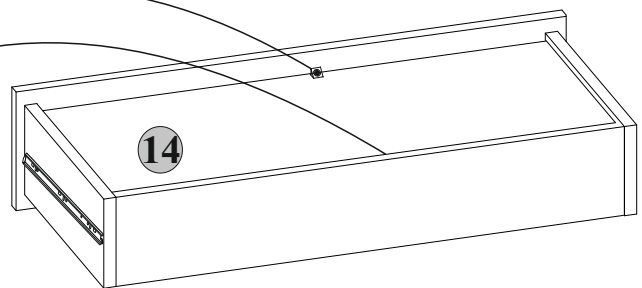
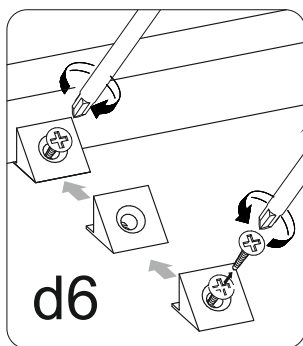


5

8

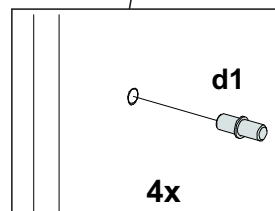
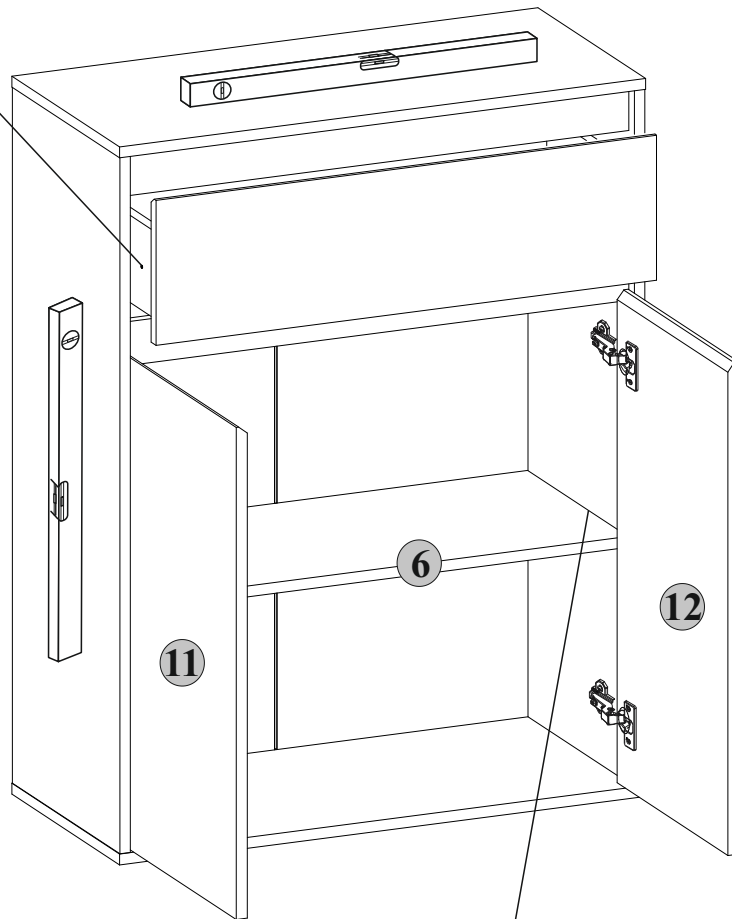
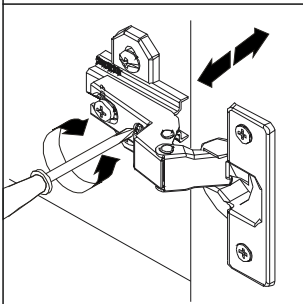
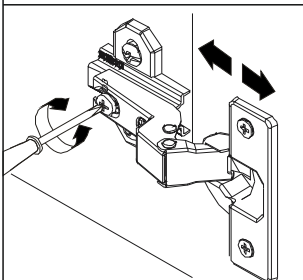
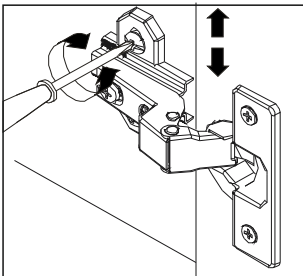
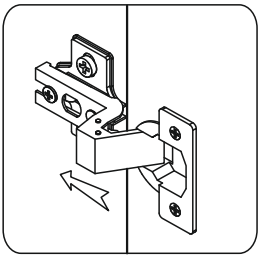
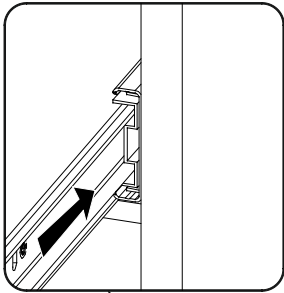
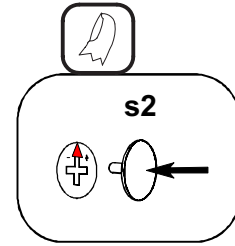


9



6

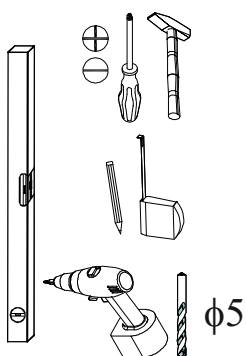
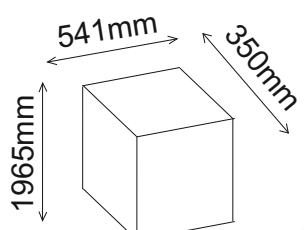
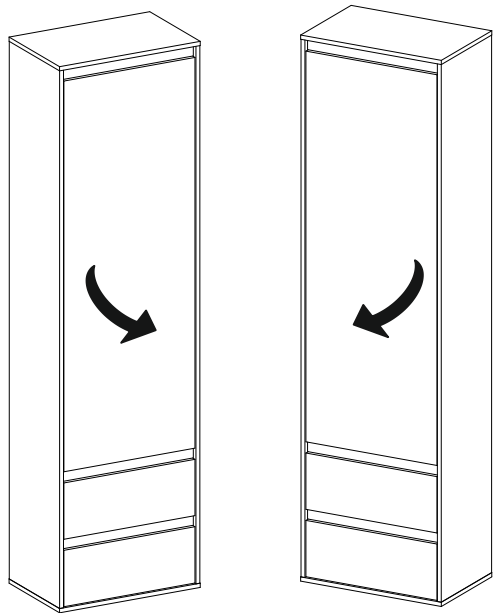
9



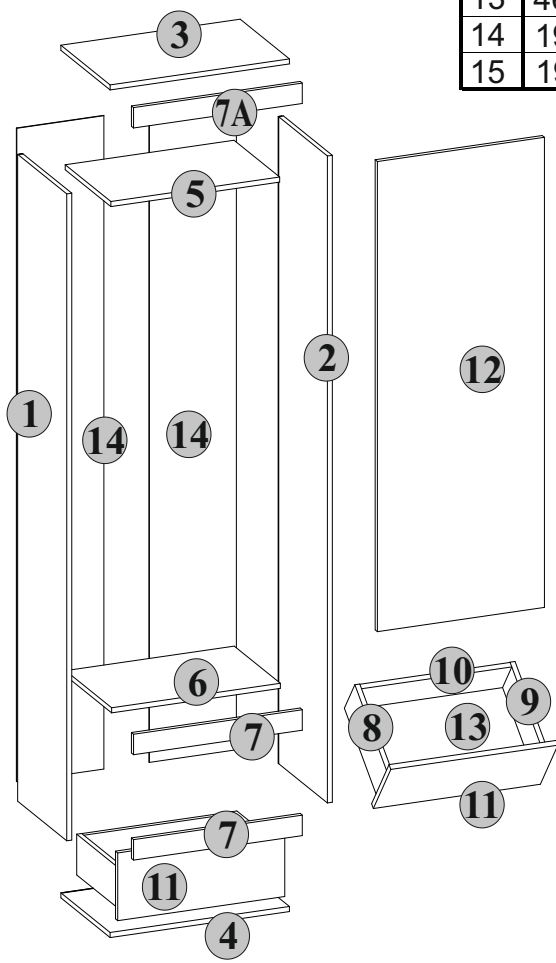
7

Pen-Box 1D2Drw

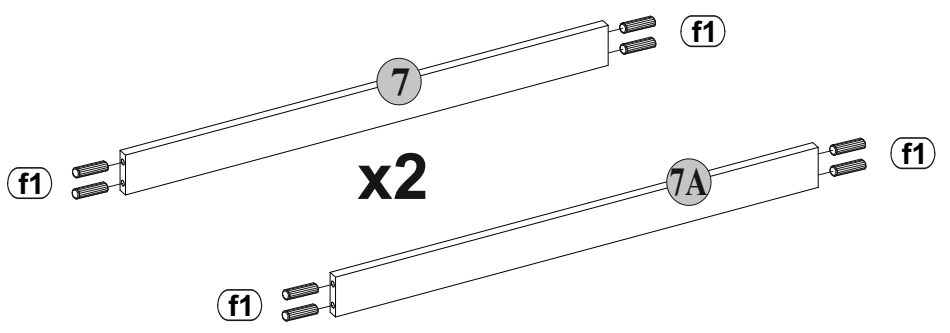
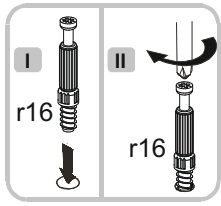
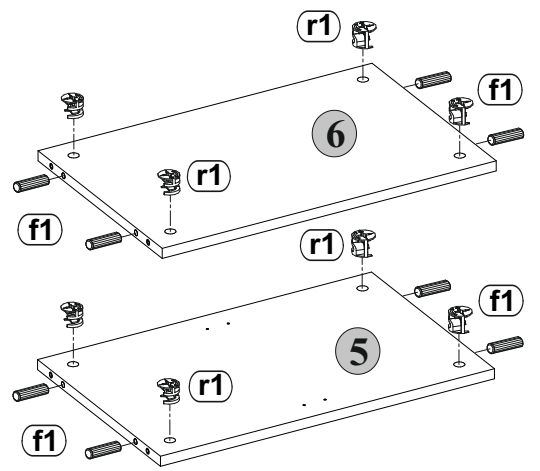
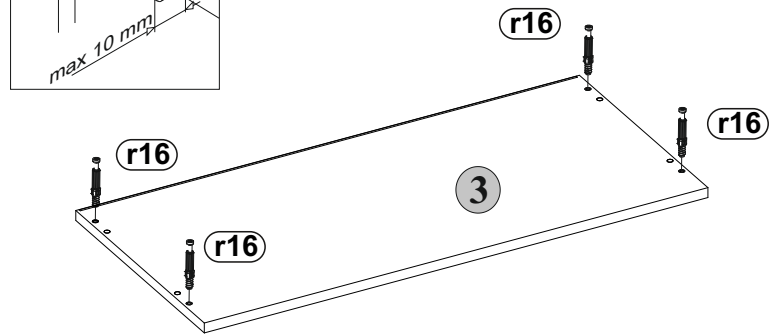
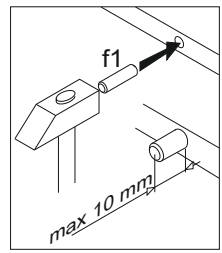
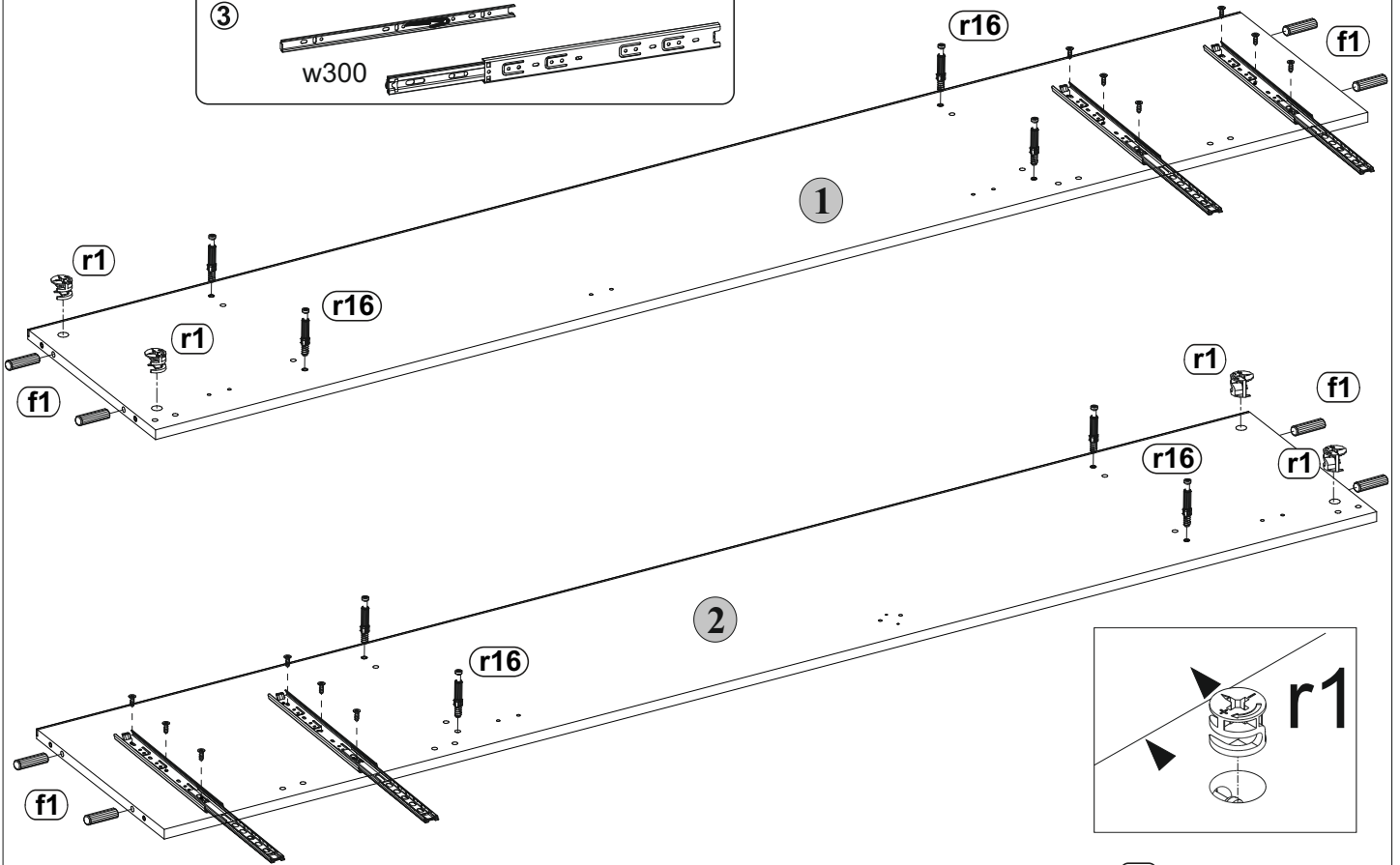
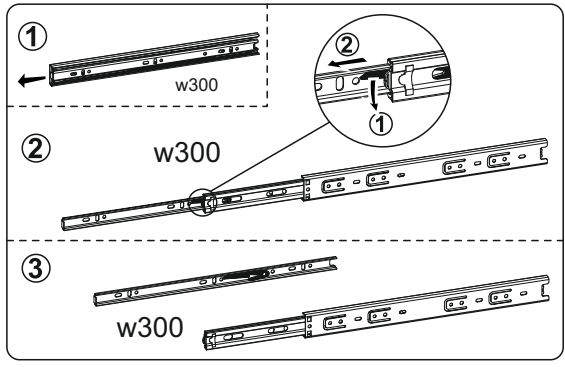
R **L**



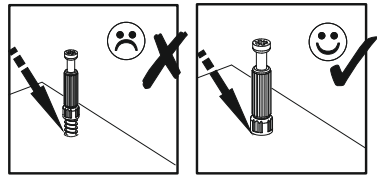
number	Measurements	Pcs.
1	1915x349	1
2	1915x349	1
3	541x350	1
4	541x350	1
5	510x325	1
6	510x328	1
7,7A	510x60	3
8	300x120	2
9	300x120	2
10	454x120	2
11	504x200	2
12	1391x504	1
13	464x295	2
14	1934x263	2
15	1900x	1



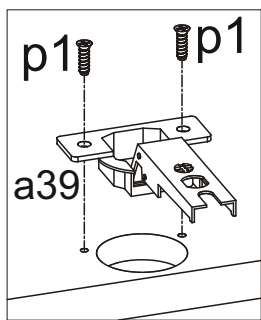
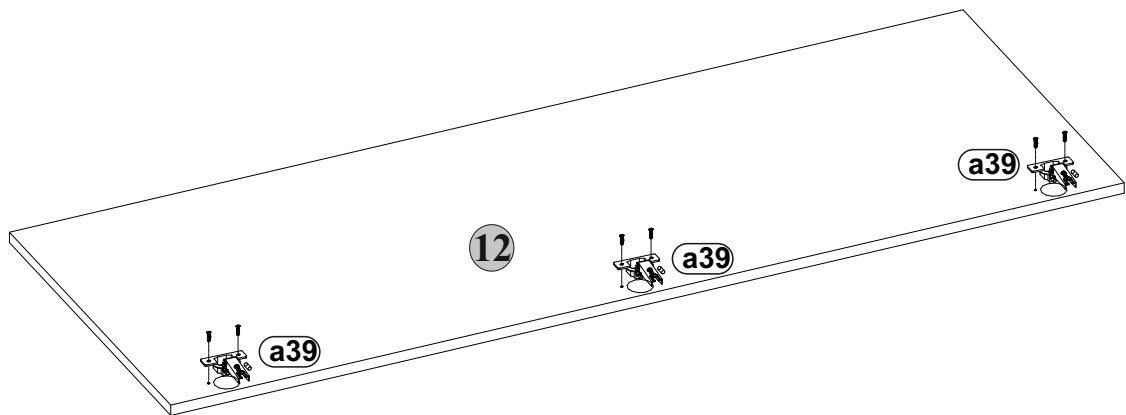
4x k19	8x φ4x20 mm p36	2x w300	3x a39	3x b3
1x z1	44x φ8x30 mm f1	1x m6	80x l1	34x φ3.5x13 mm p1
16x φ15 #16 r1	16x r16	16x s2	8x 7x50 e1	6x φ6.3x13 mm e2
			8x s1	



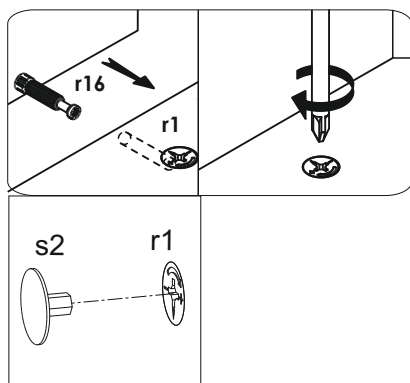
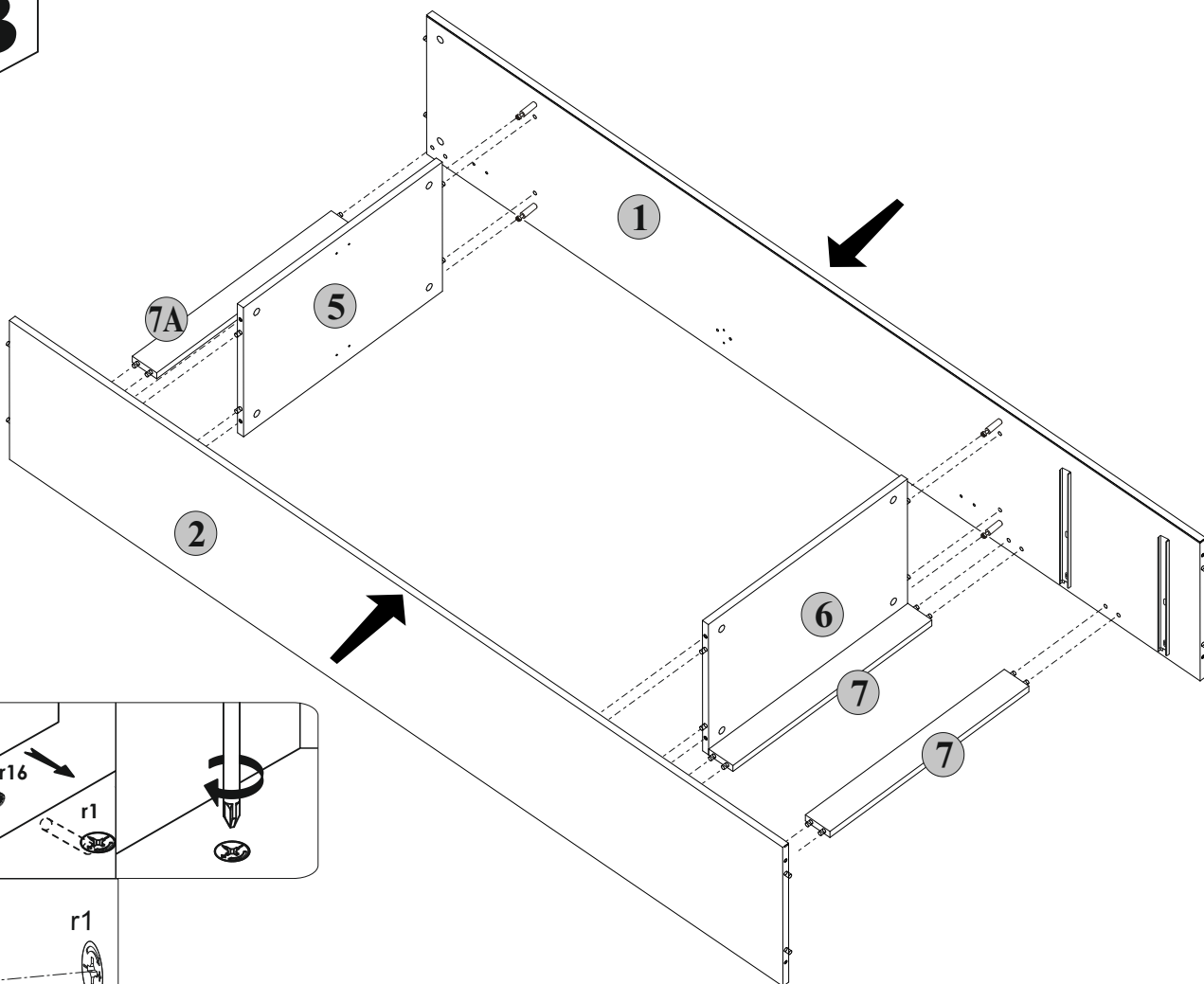
2



2

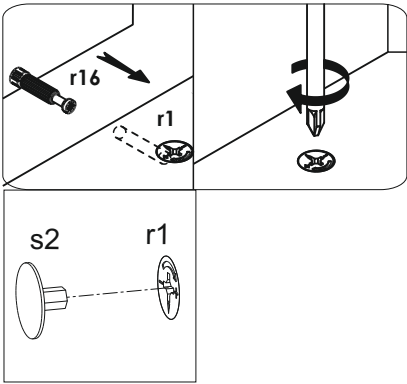
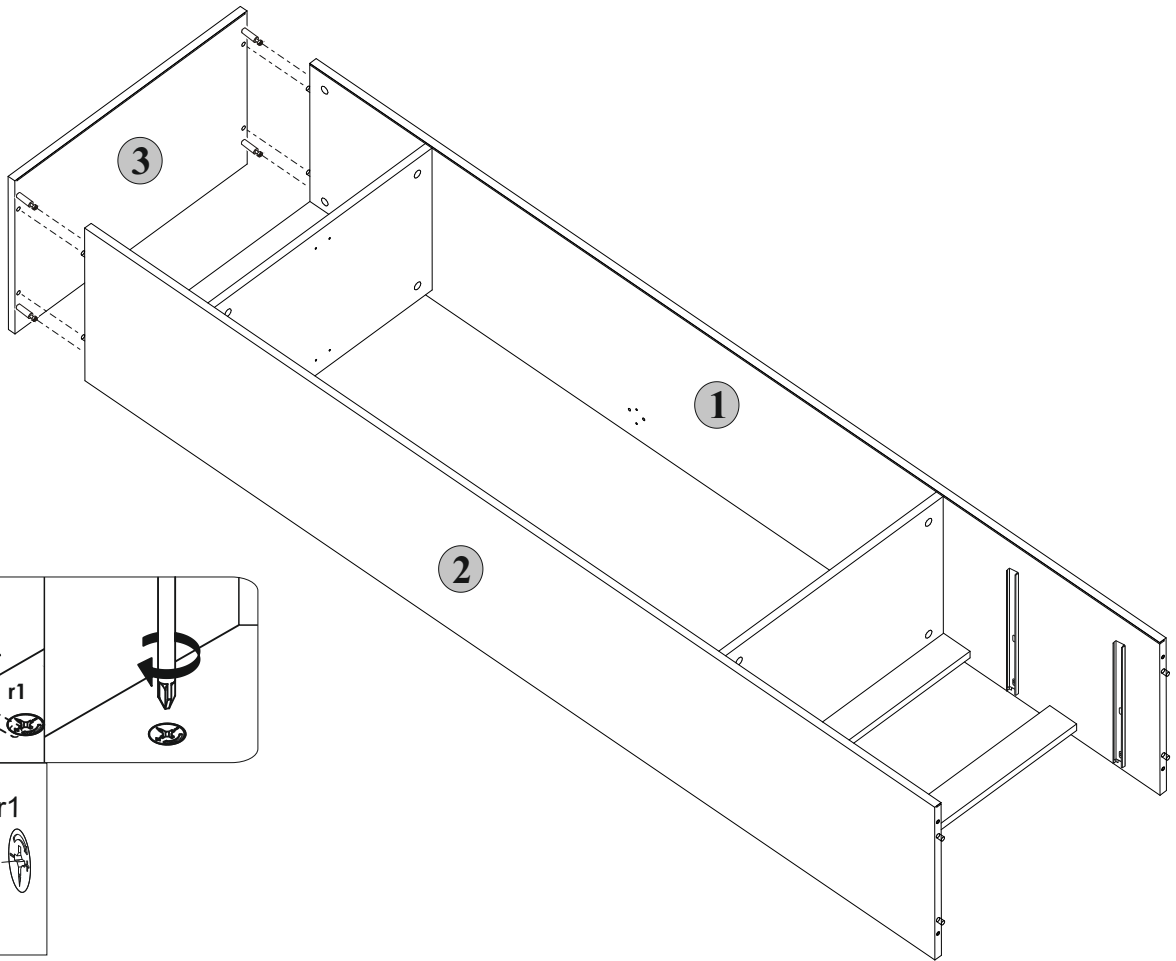


3

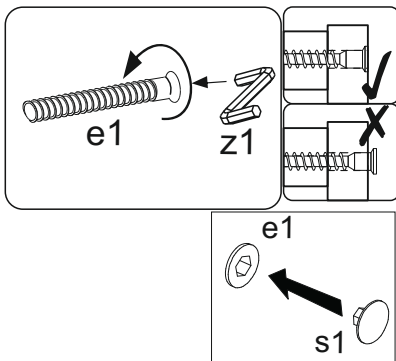
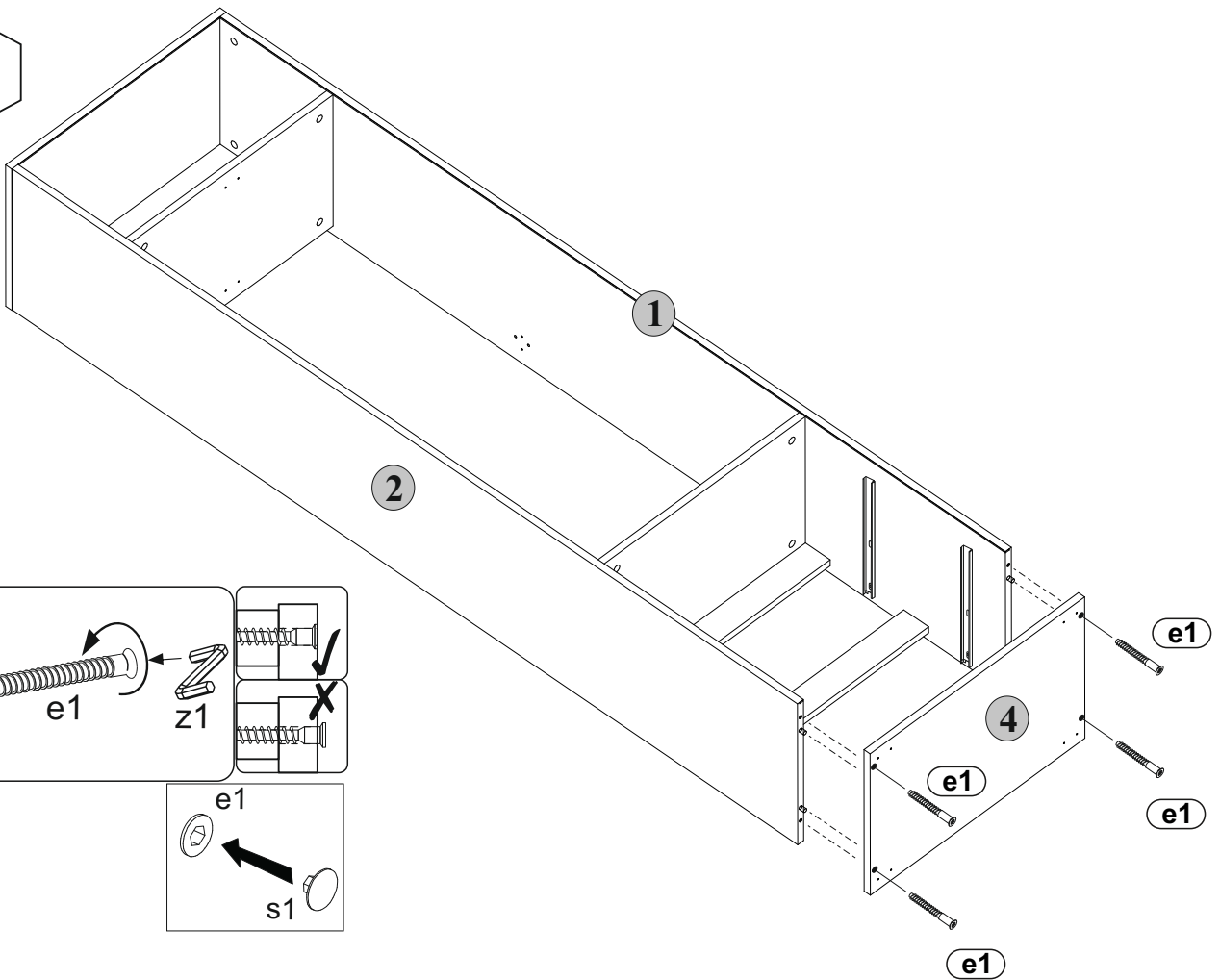


3

4

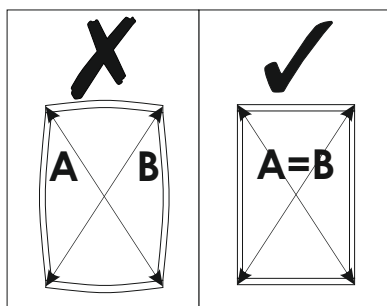
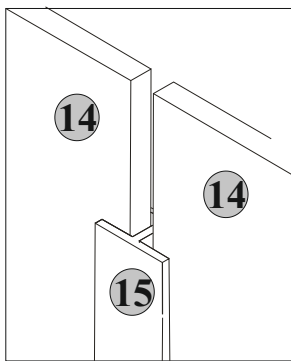
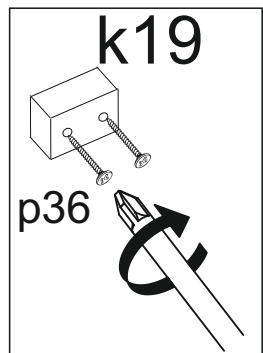
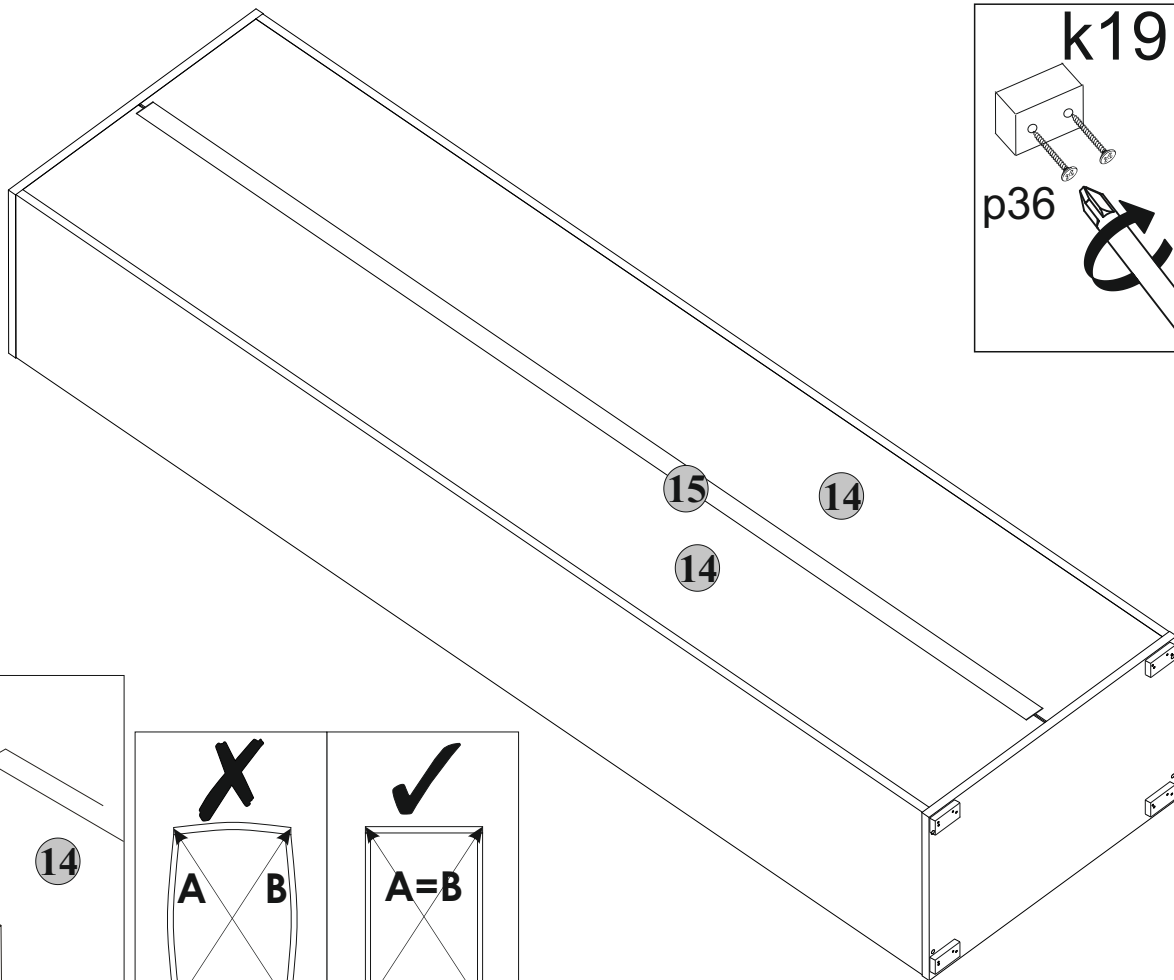


5

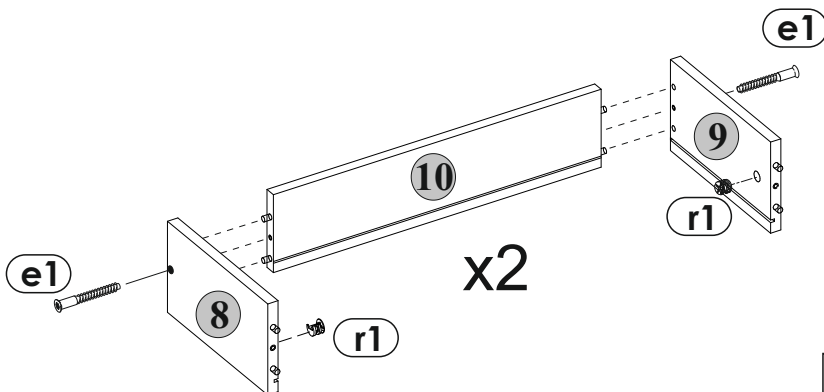
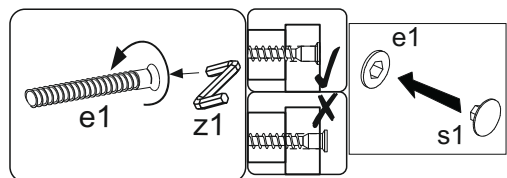
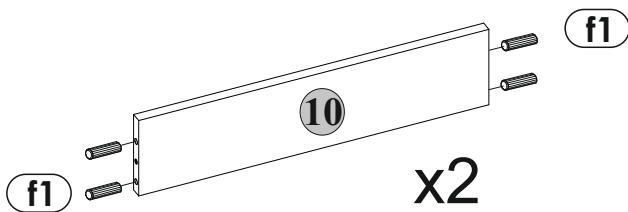
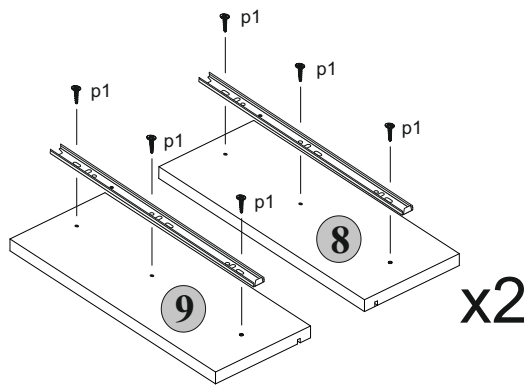
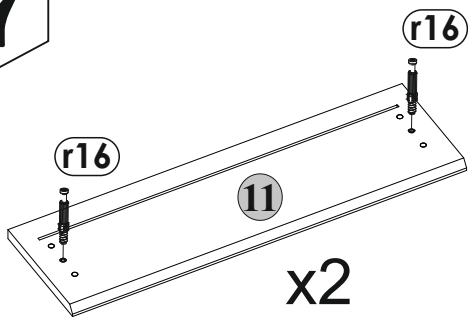


4

6

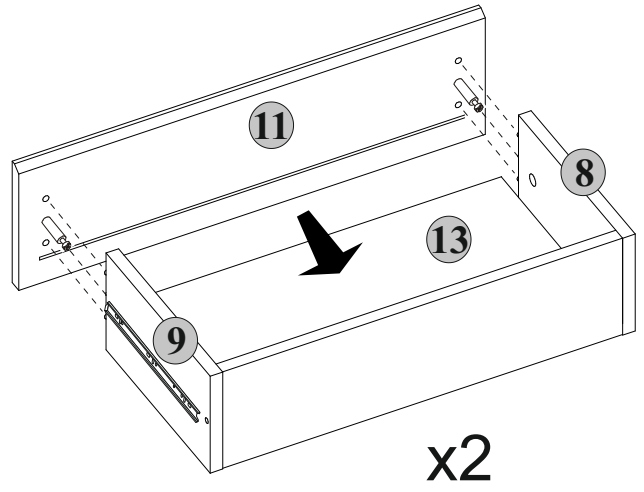
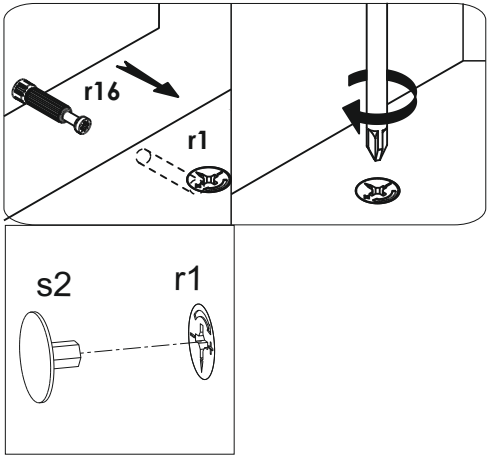


7



5

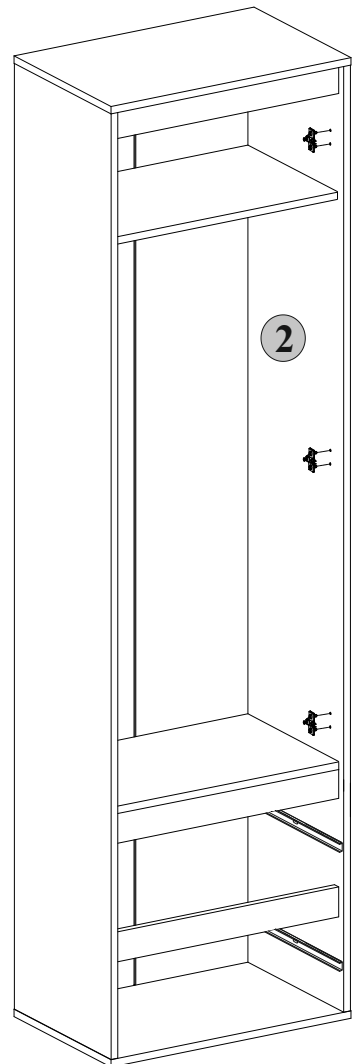
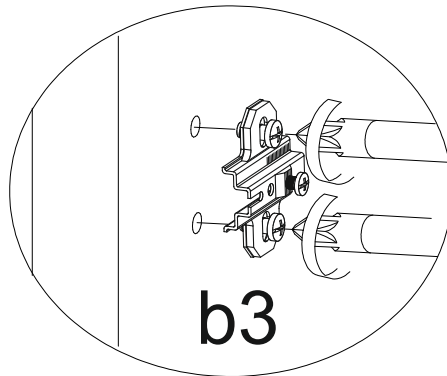
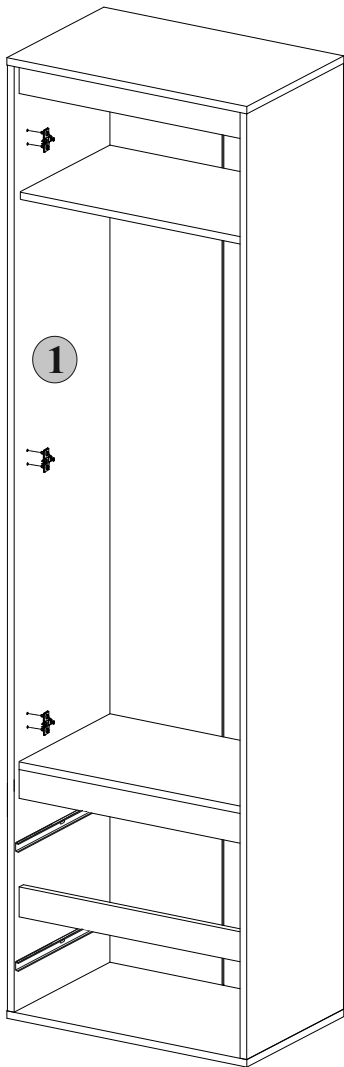
8



9

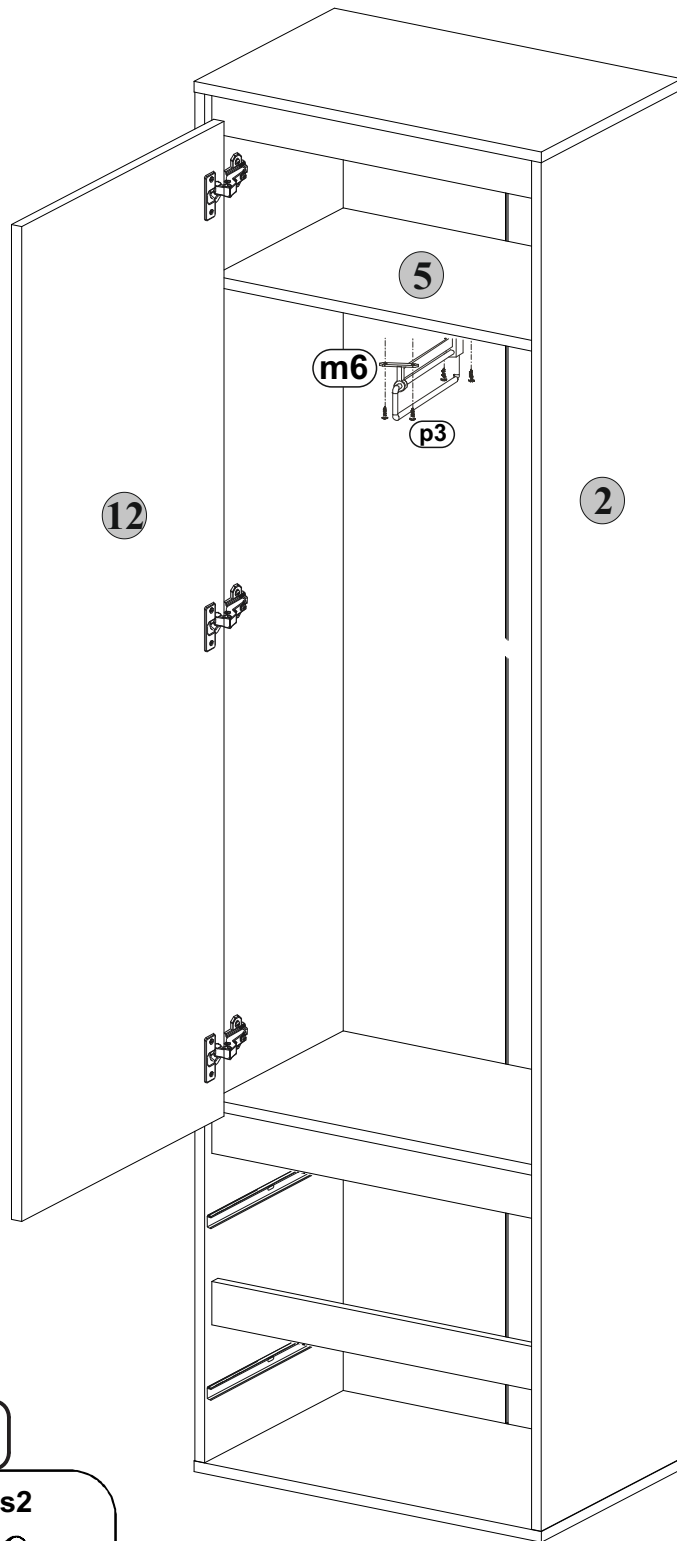
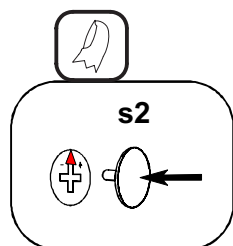
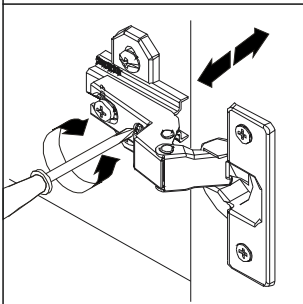
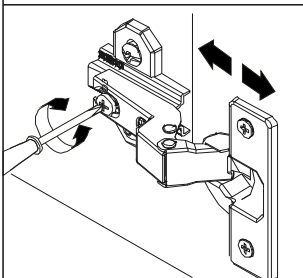
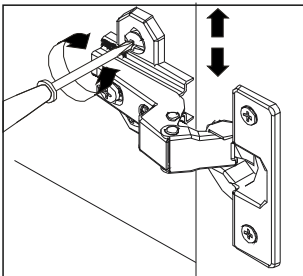
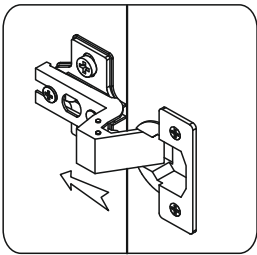
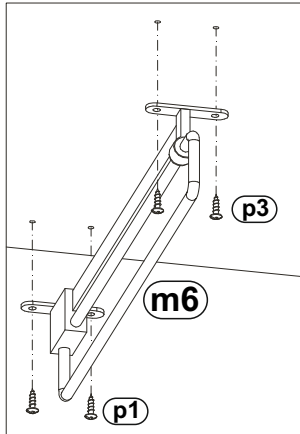
R

L

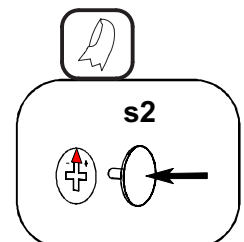
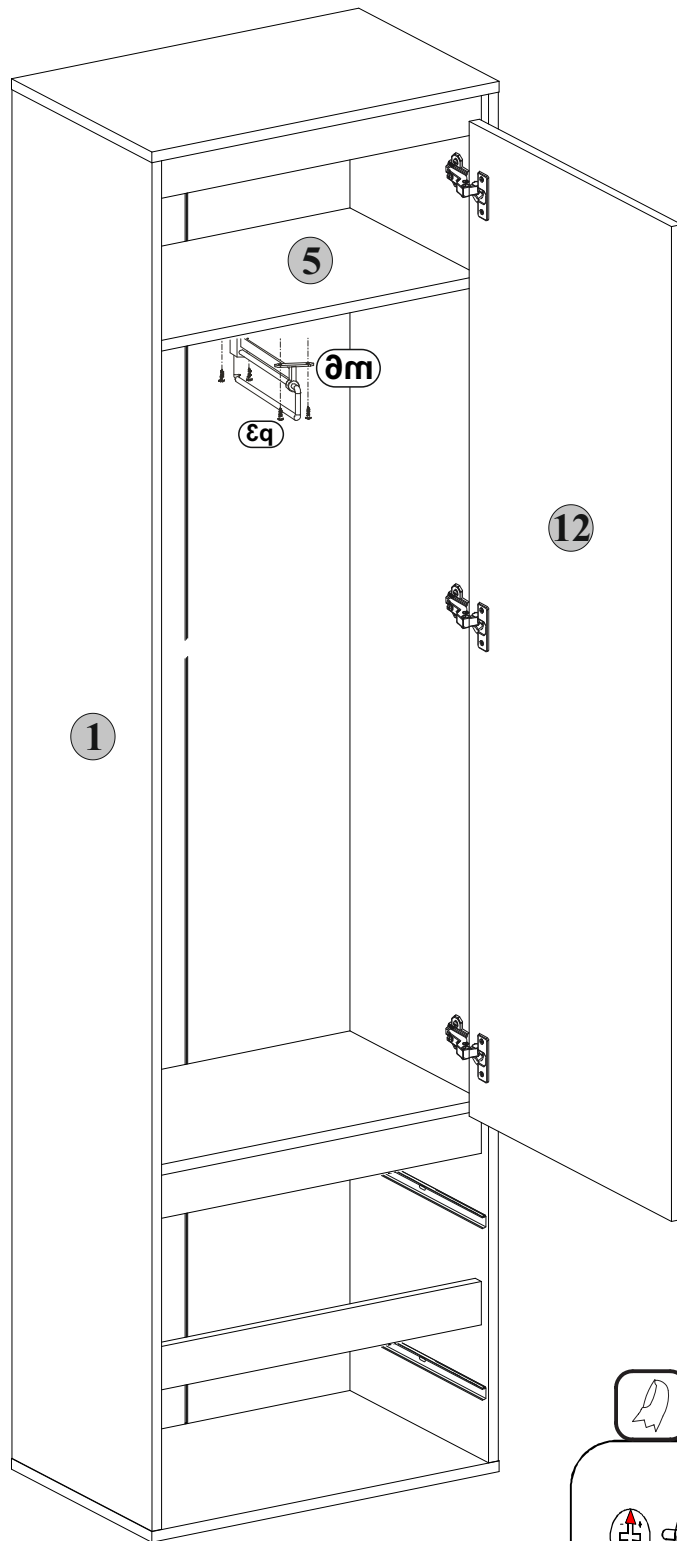
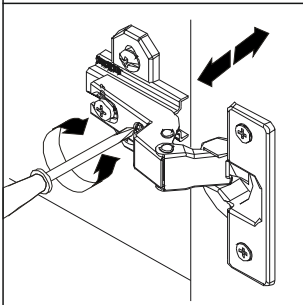
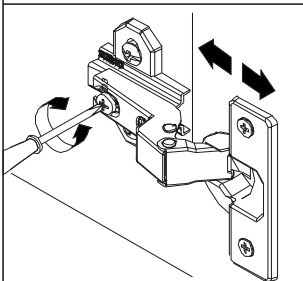
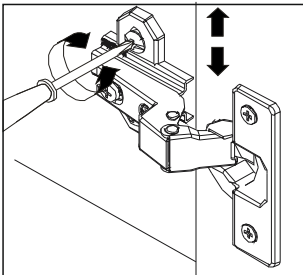
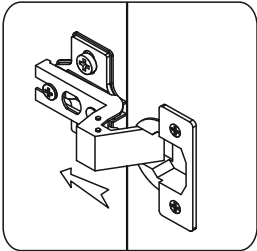
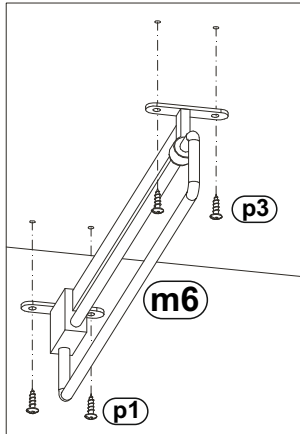


6

9L



9P



10

