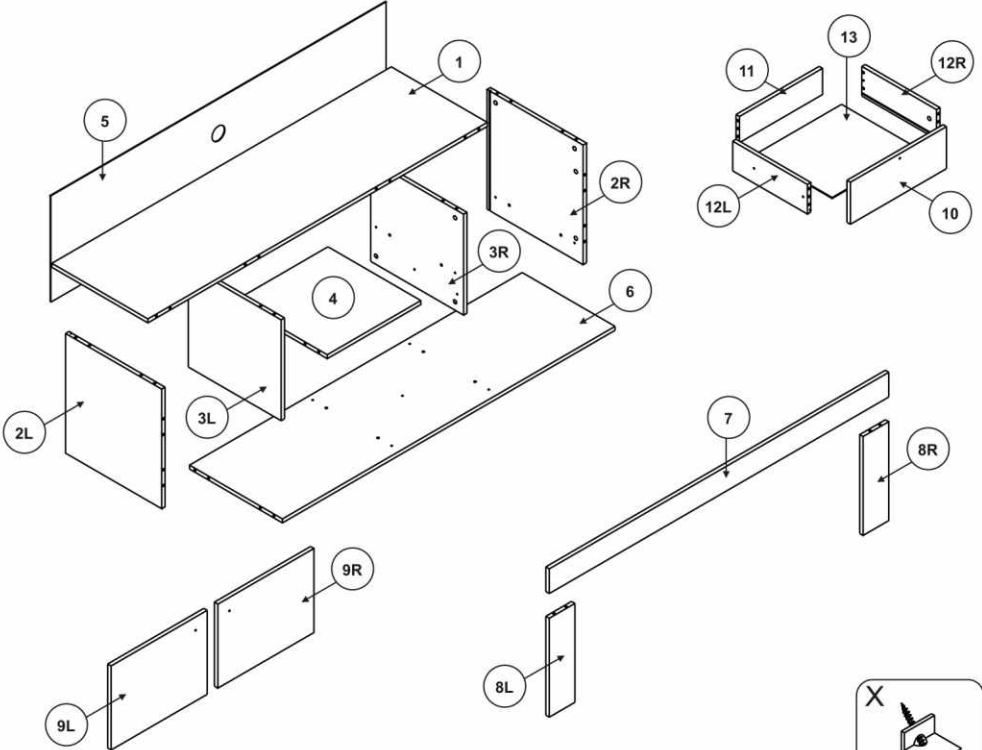
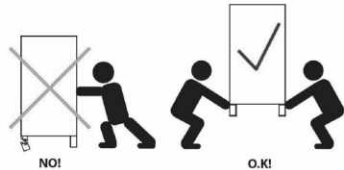
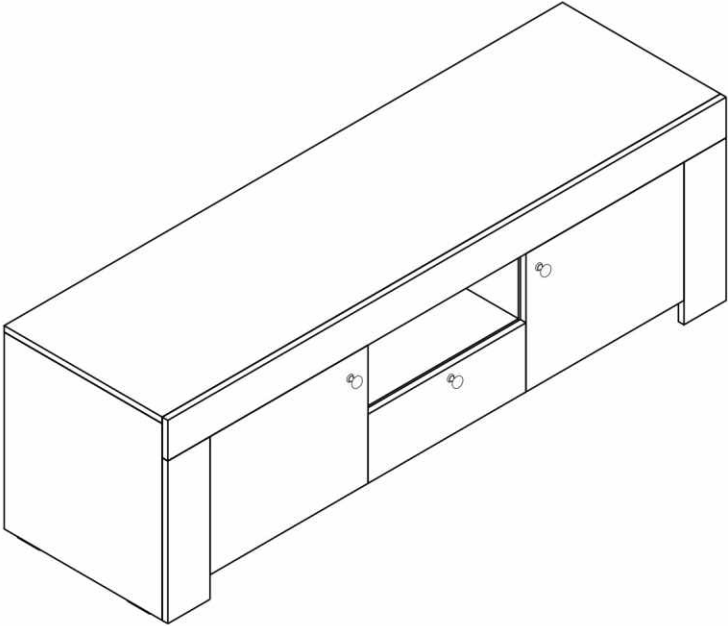
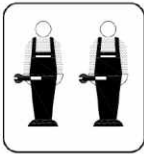
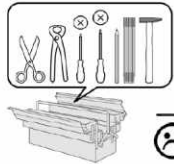


VINCE

RRTV 155

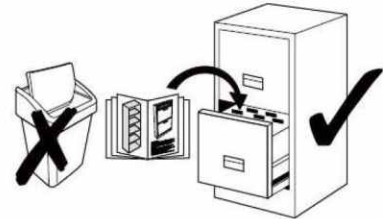
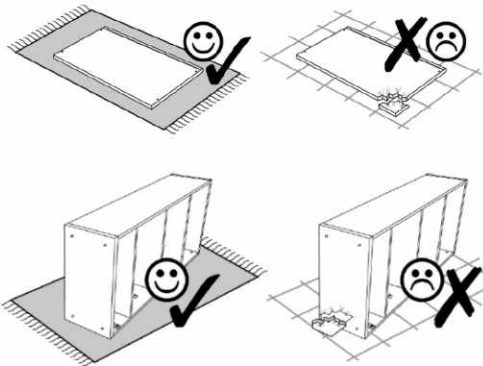


A 8x32 x40	B x32	C x32	Z x32	N 3x20 x16	NA 4x13 x16	H 6,3x13 x8	P x4	X x6
G L=345 x2	W x4	Y M4x20 x2	YA M4x22 x3	O x3	WA x2	NB 4x25 x2	R x4	

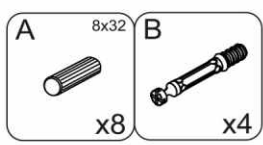


9 3 2 - 2,5 6

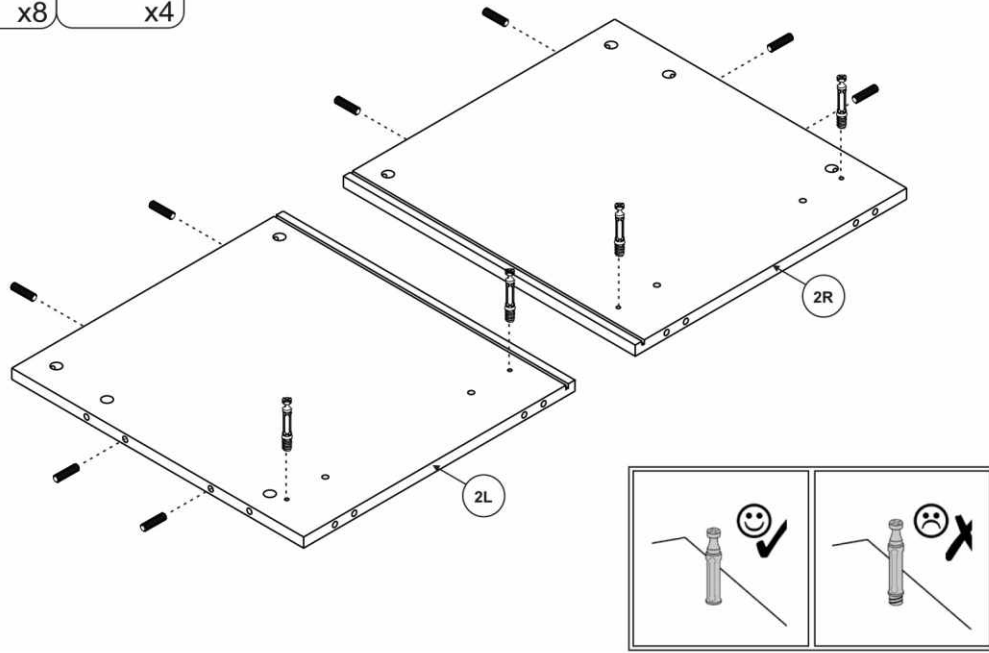
1



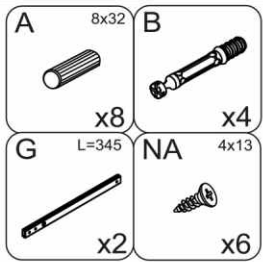
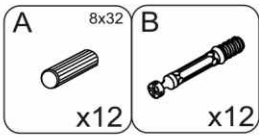
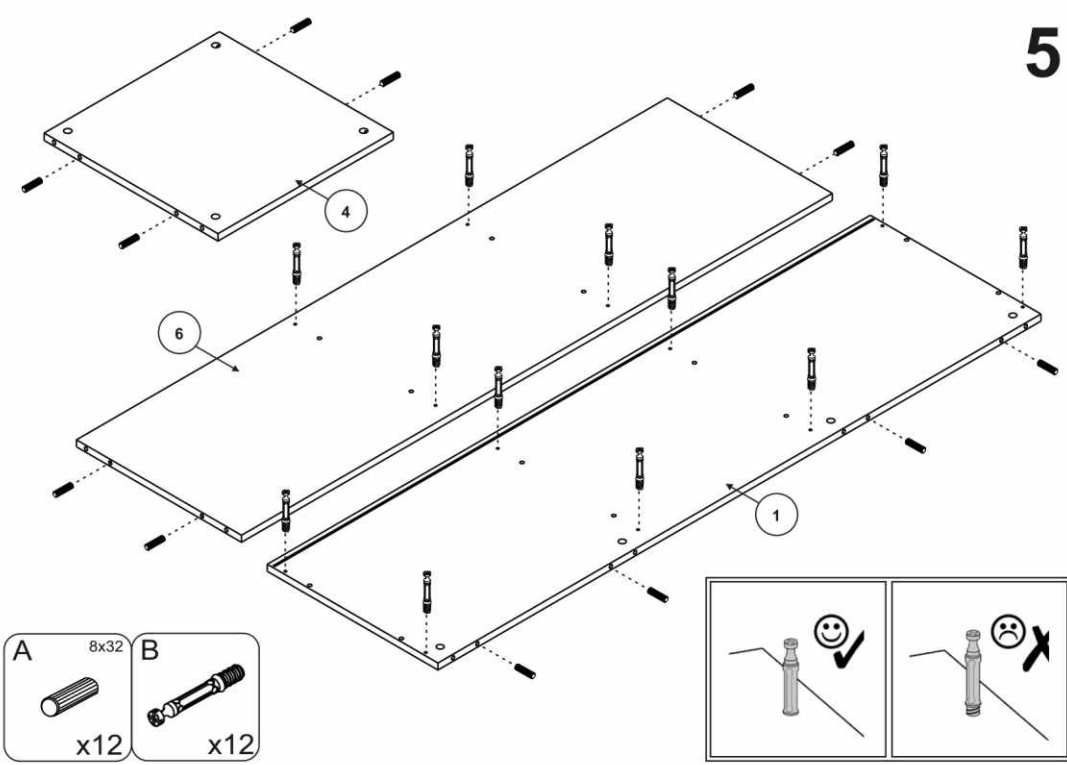
2



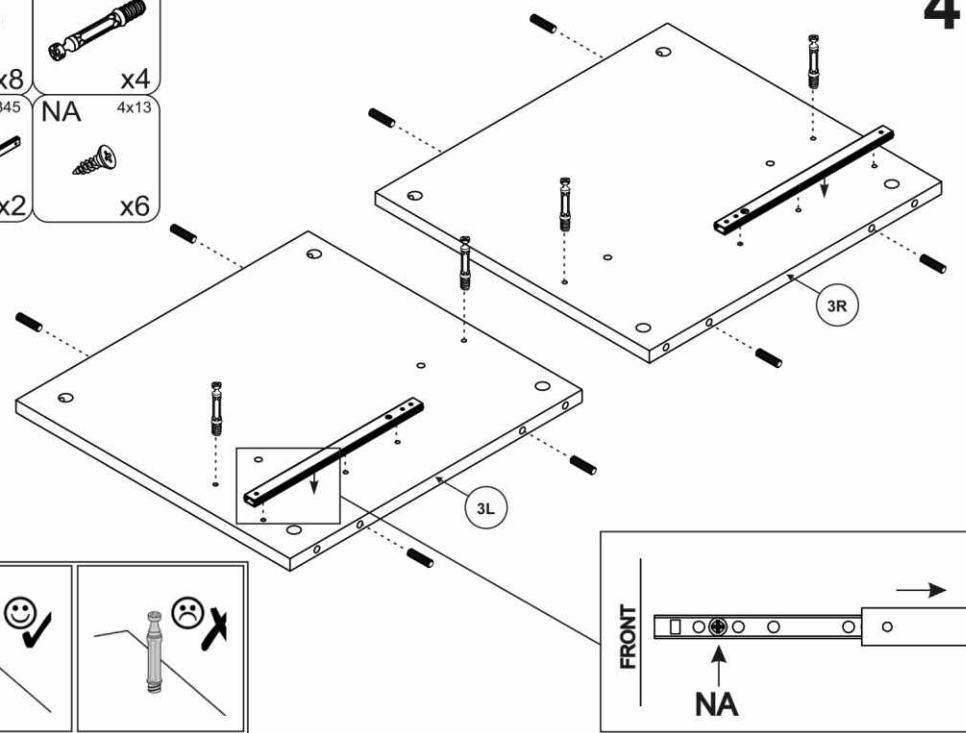
3



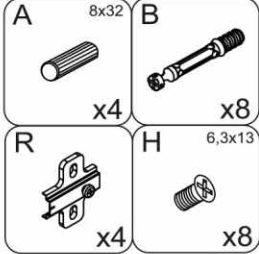
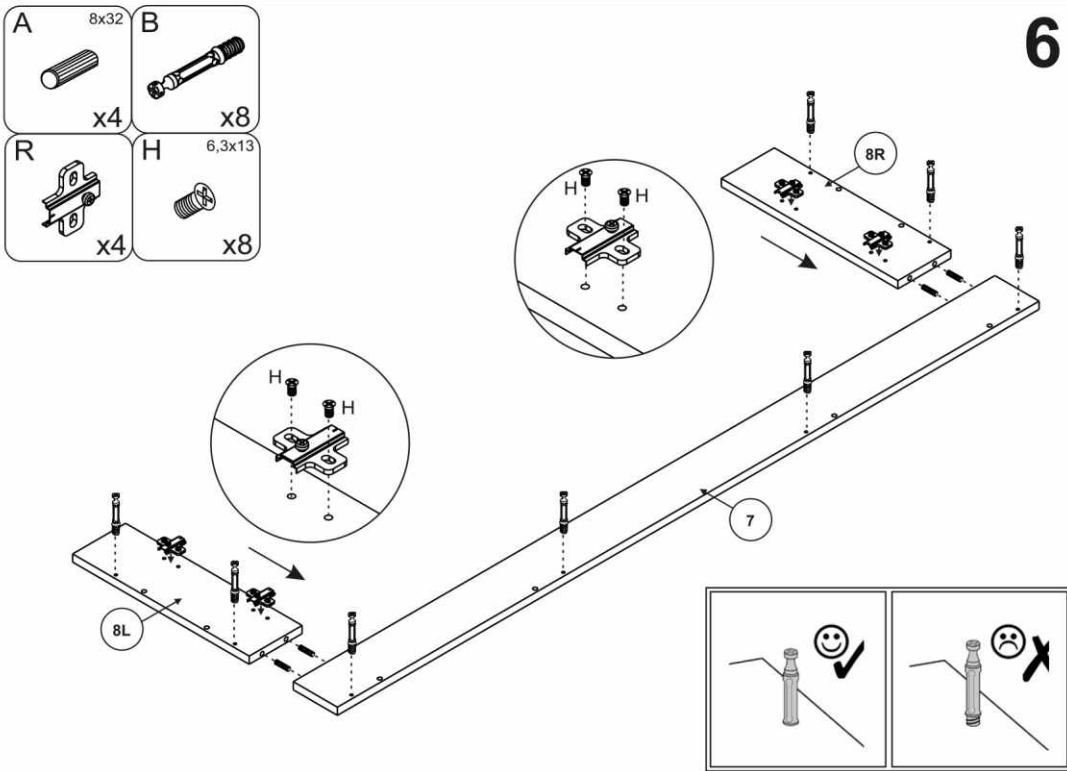
5

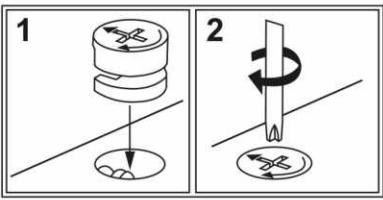
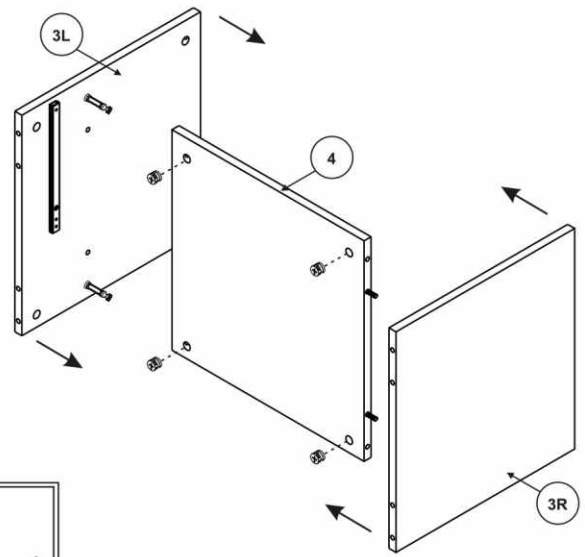
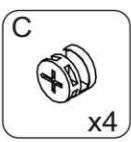


4



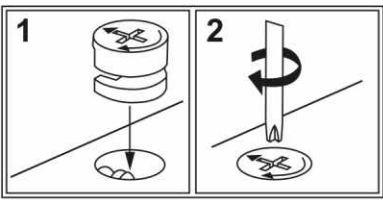
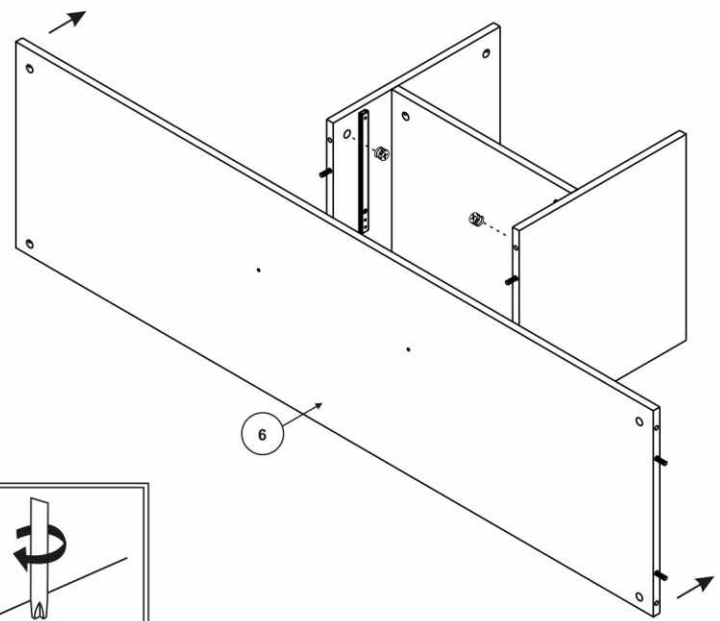
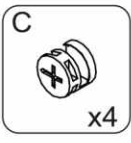
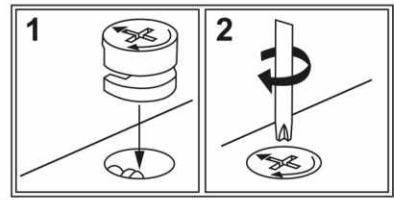
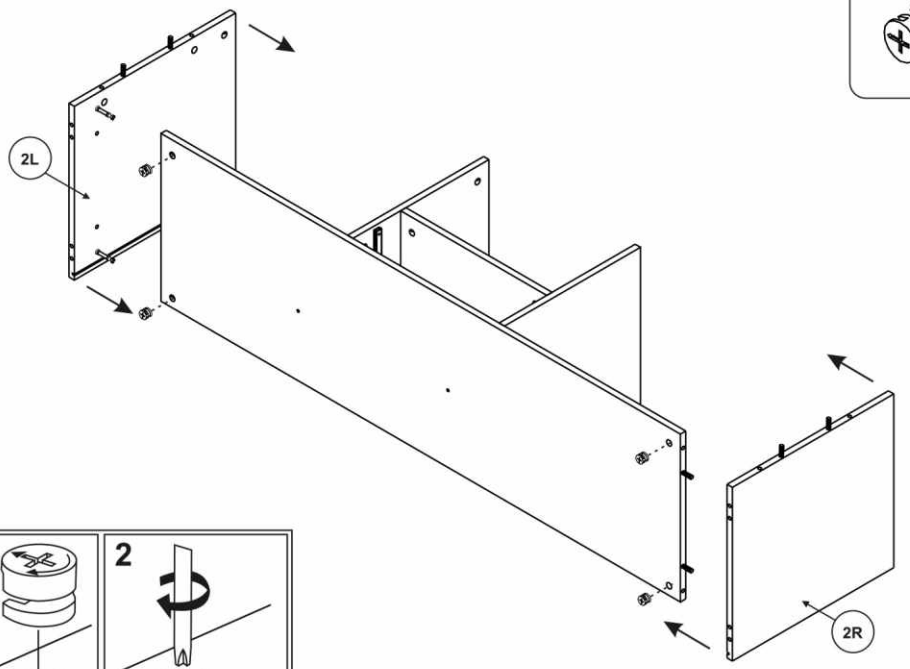
6



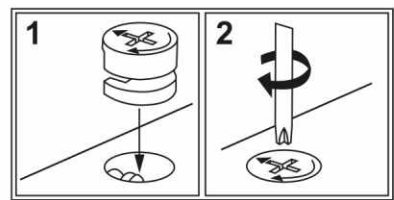
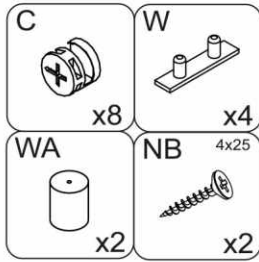
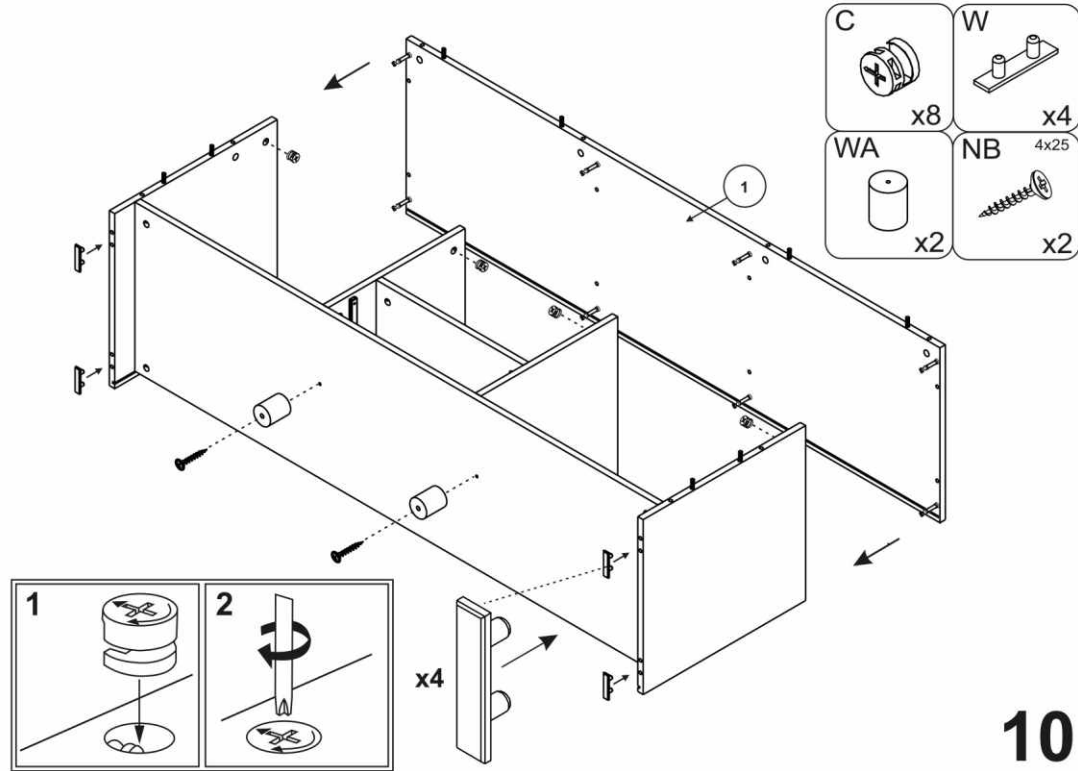


7

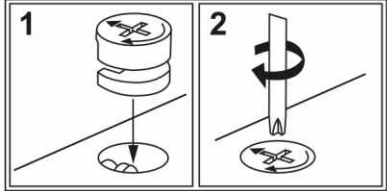
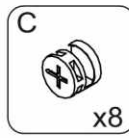
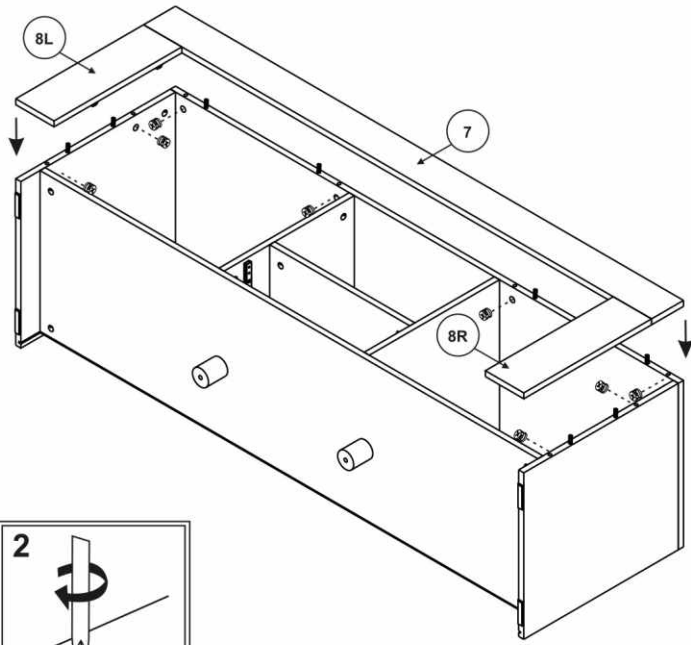
9



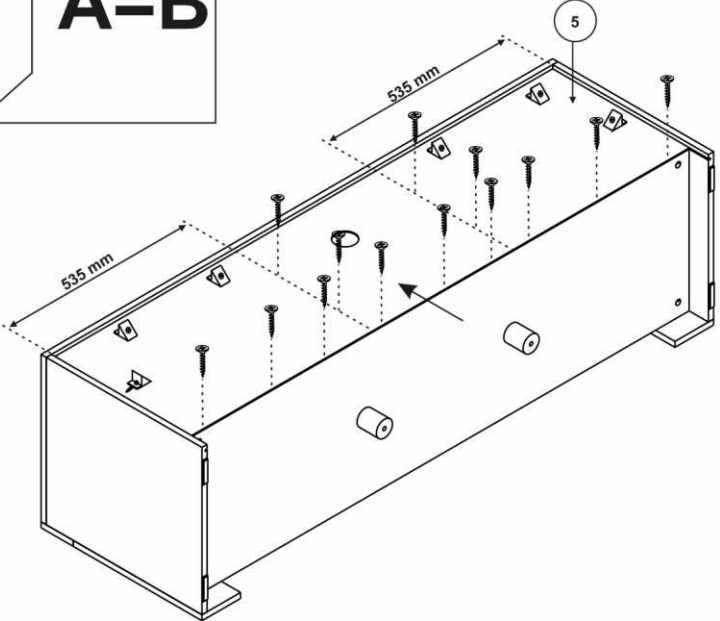
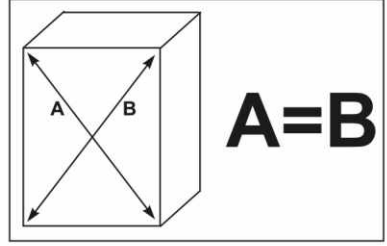
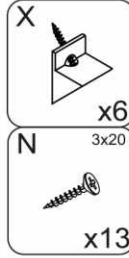
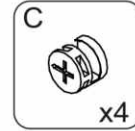
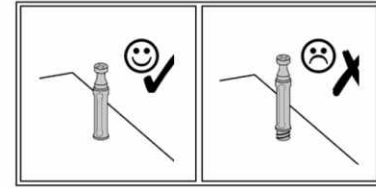
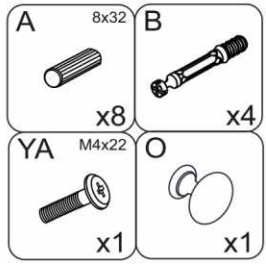
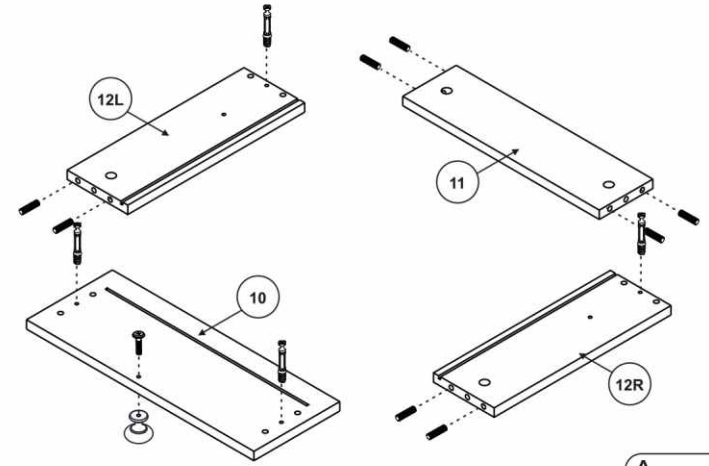
8



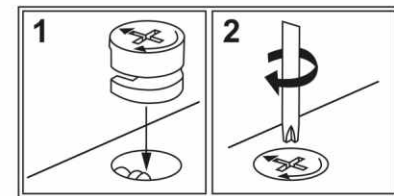
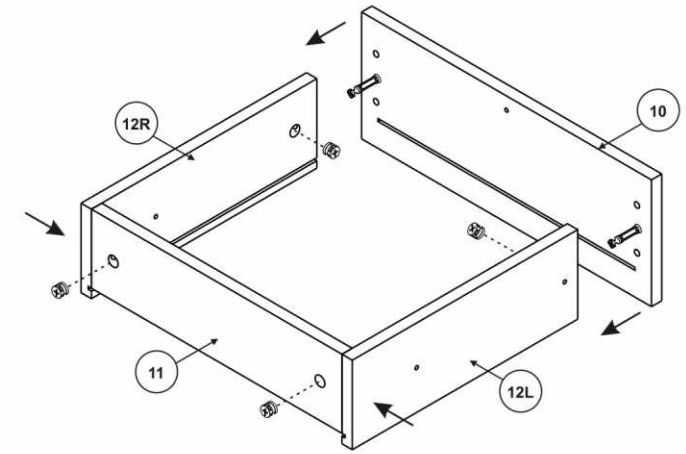
10



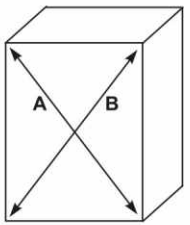
11



12

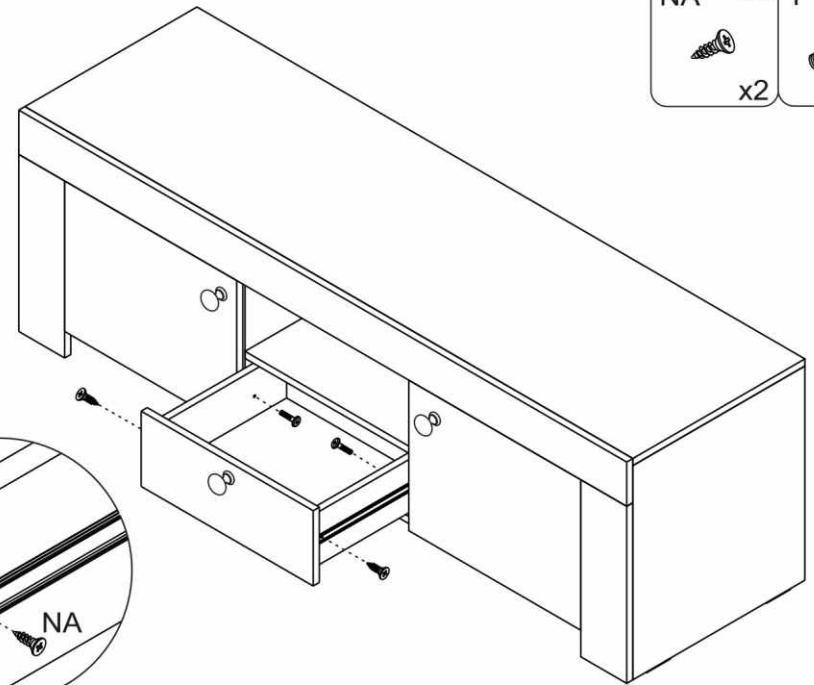
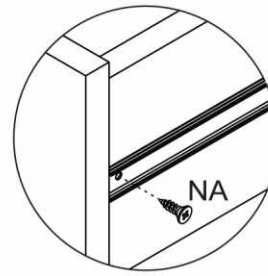
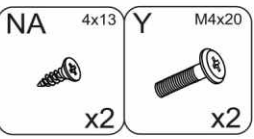
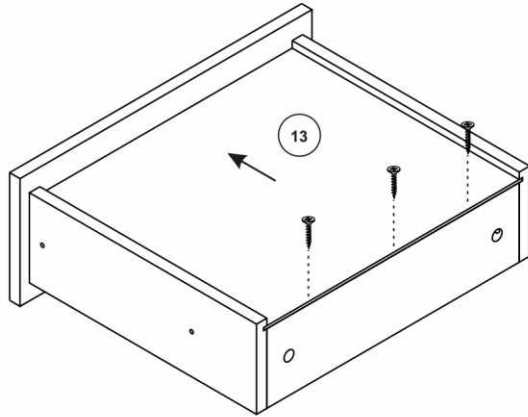


14



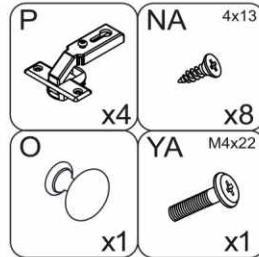
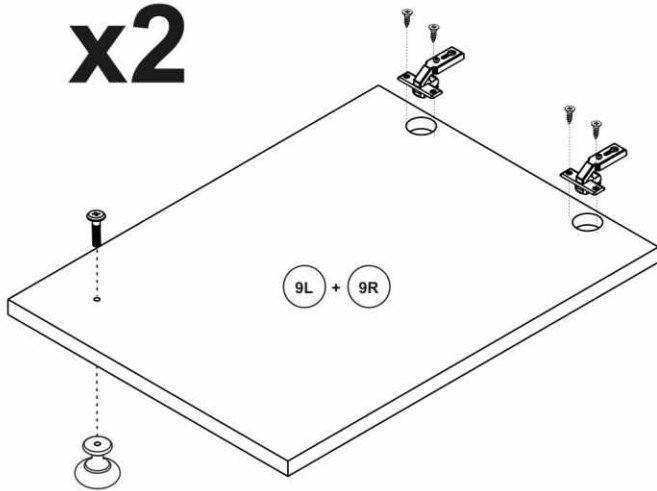
A=B

15

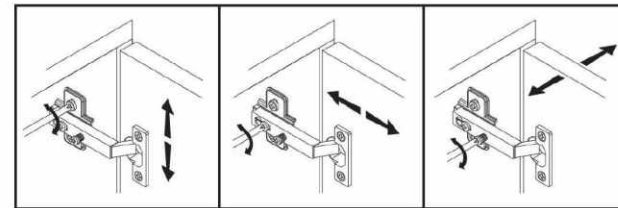
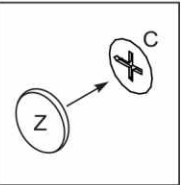


17

x2



16



18

