

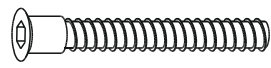


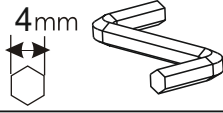
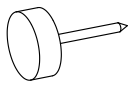
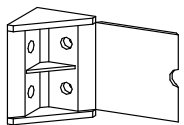
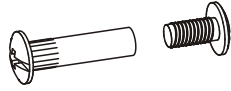
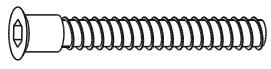
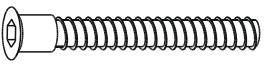
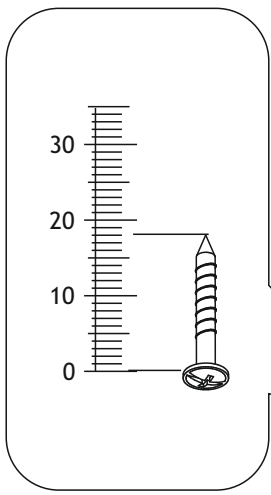

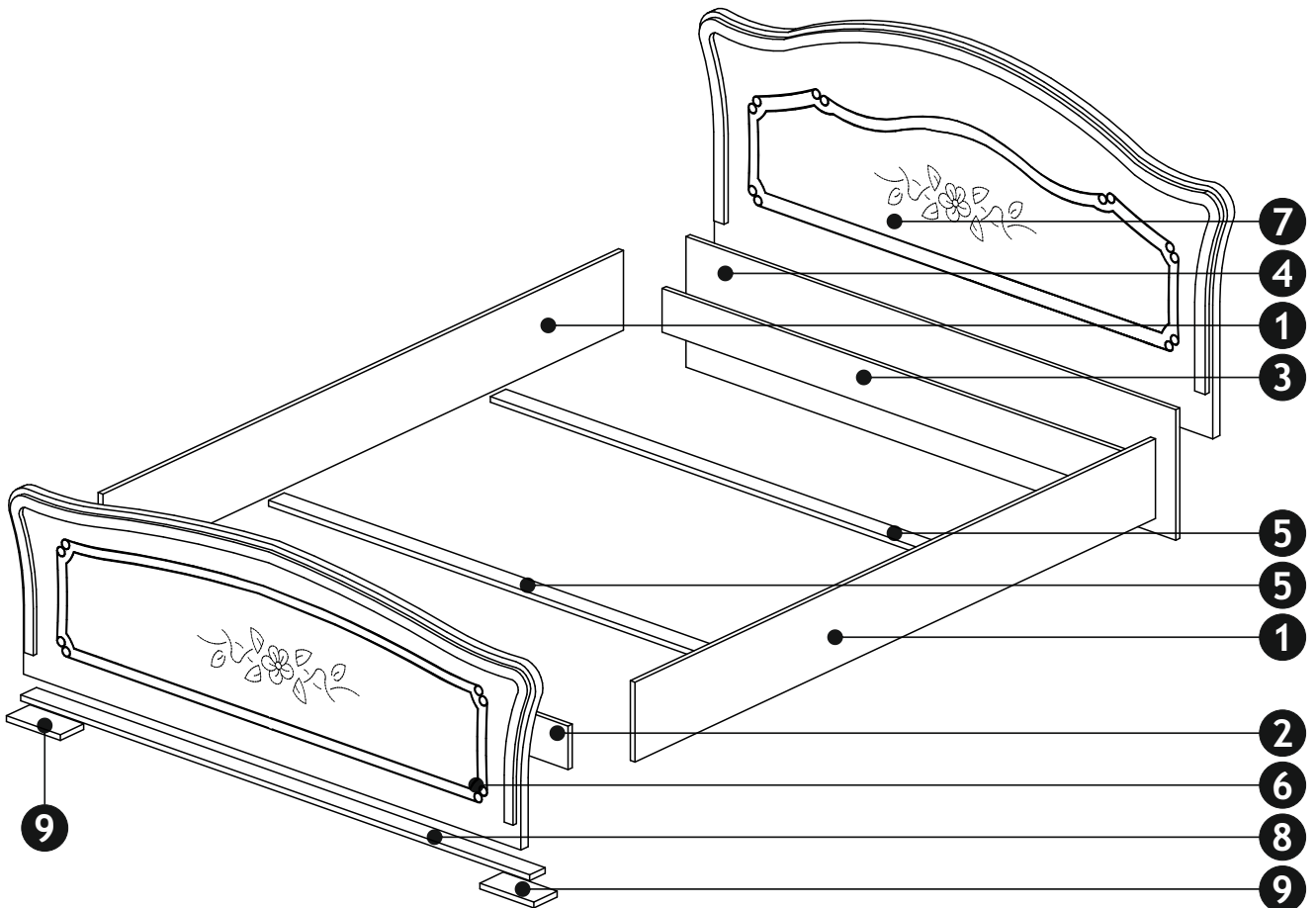
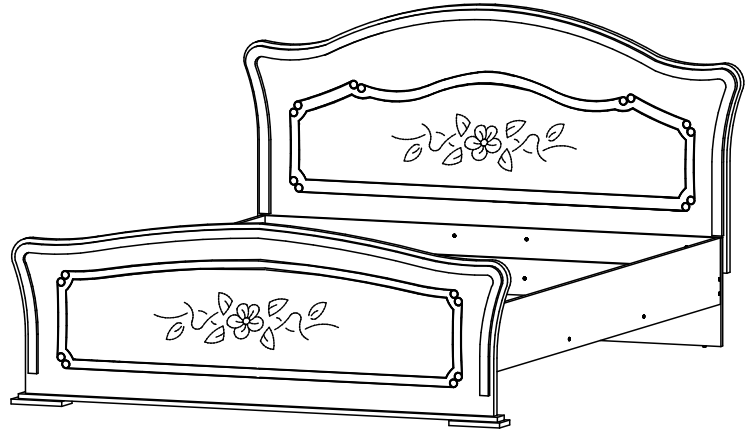


A0 8 x 32mm x6 	B0  x12	B1 f 7 x 50 mm x16 
D10 4 x 16 mm x16 	D16 4,2 x 28 mm x8 	K 4mm  x1
T3  x8	 x4	 x8

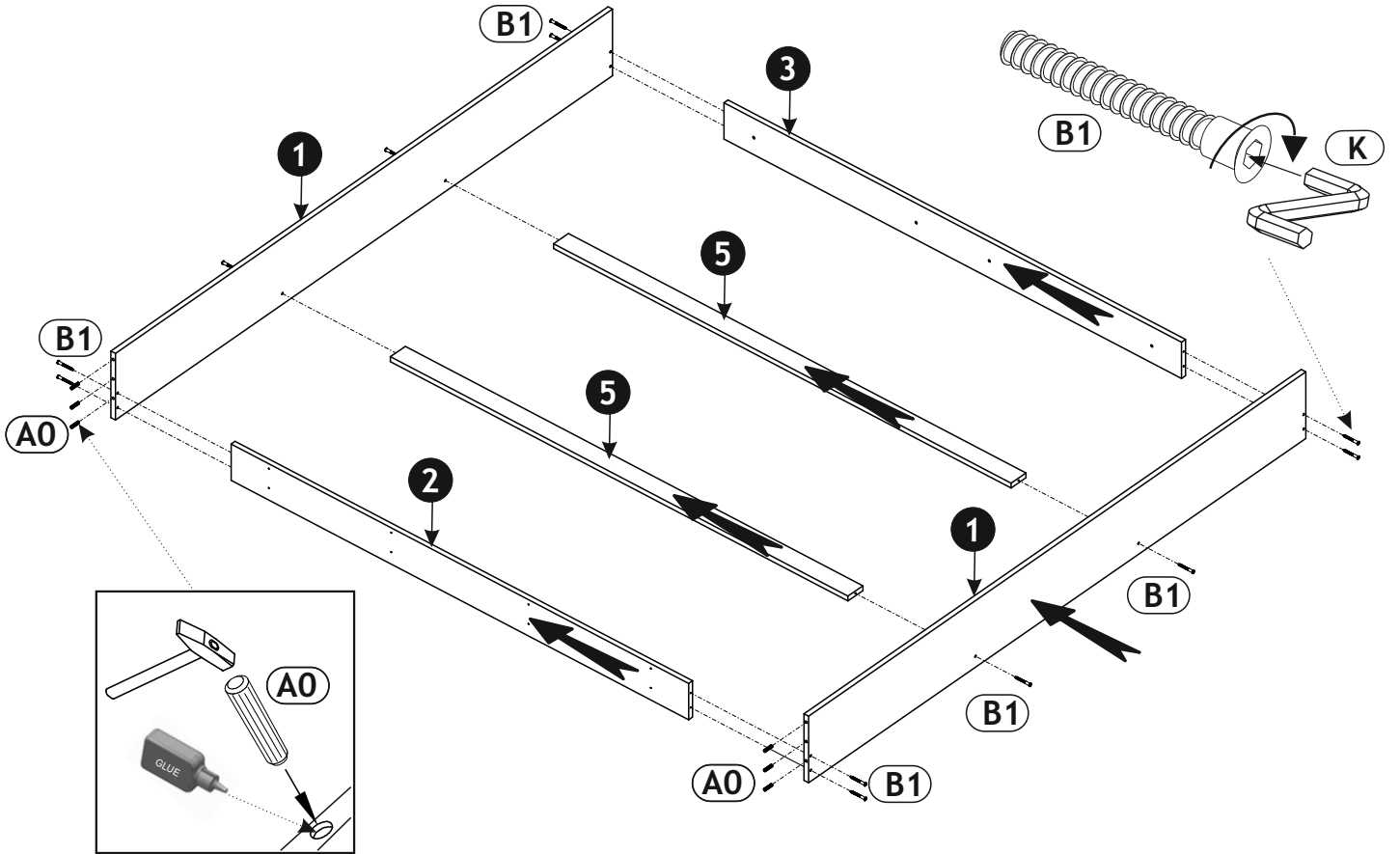
B1 f 7 x 50 mm x2 	B2 f 7 x 70 mm x4 
--	--



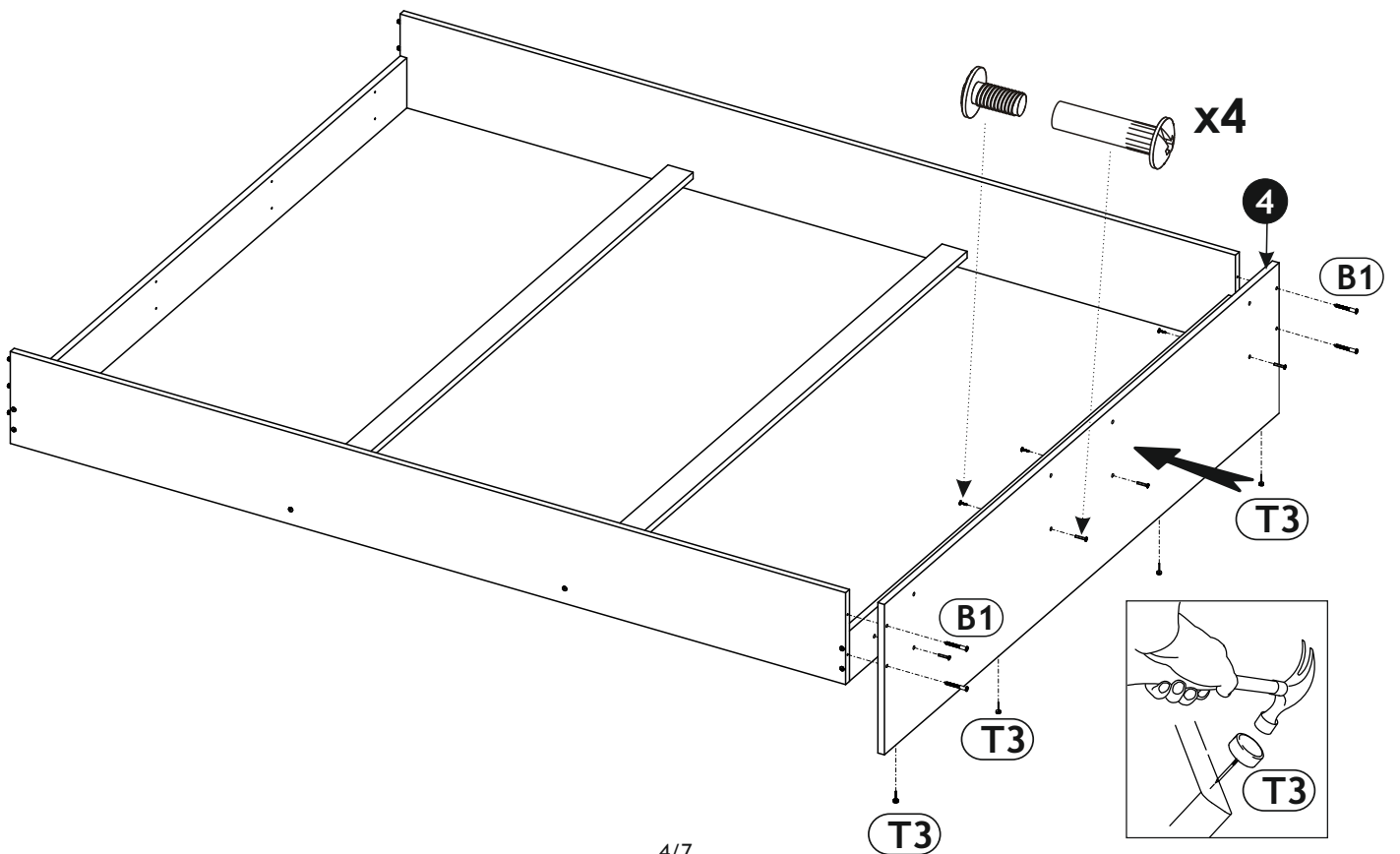
1	2000	220	16	x2	1/3
2	1600	120	16	x1	2/3
3	1600	120	16	x1	2/3
4	1636	360	16	x1	2/3
5	1600	60	16	x2	2/3
6	1750	568	32	x1	3/3
7	1750	850	32	x1	3/3
* 8	1670	60	16	x1	3/3
* 9	180	90	16	x2	3/3
					2/3



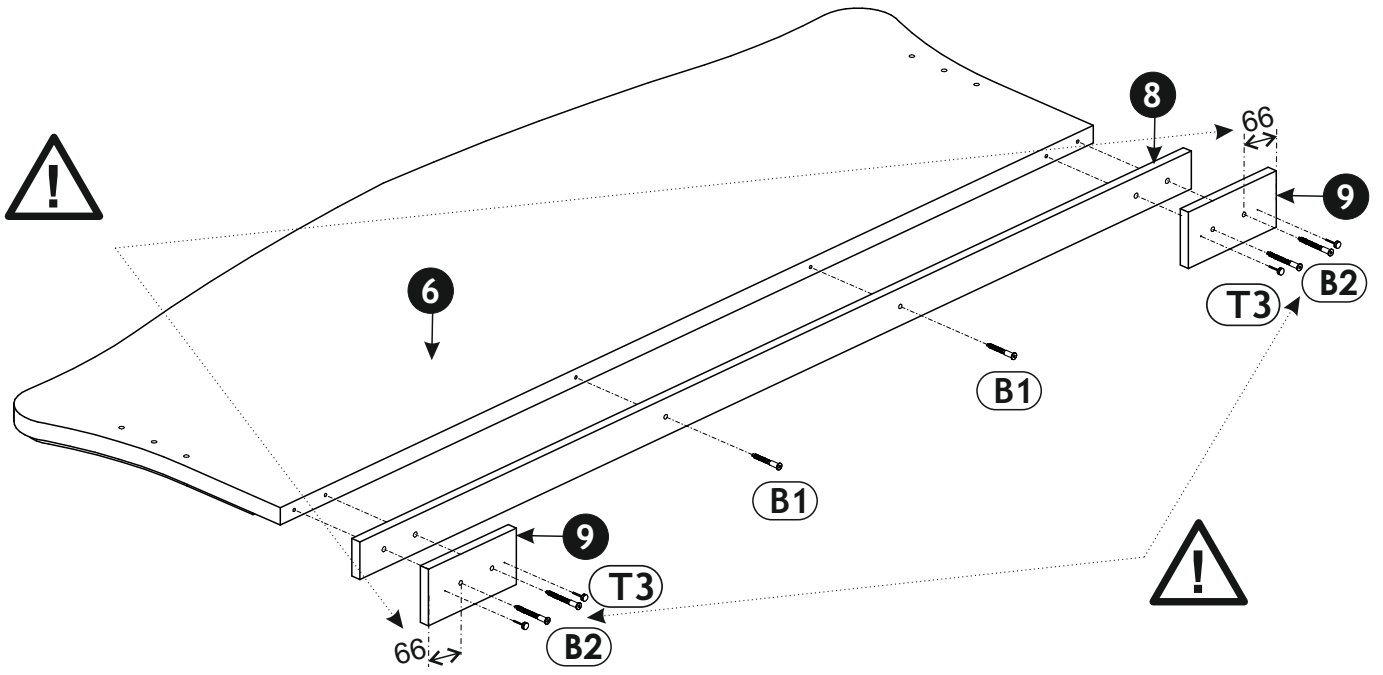
1 ▶ *
**



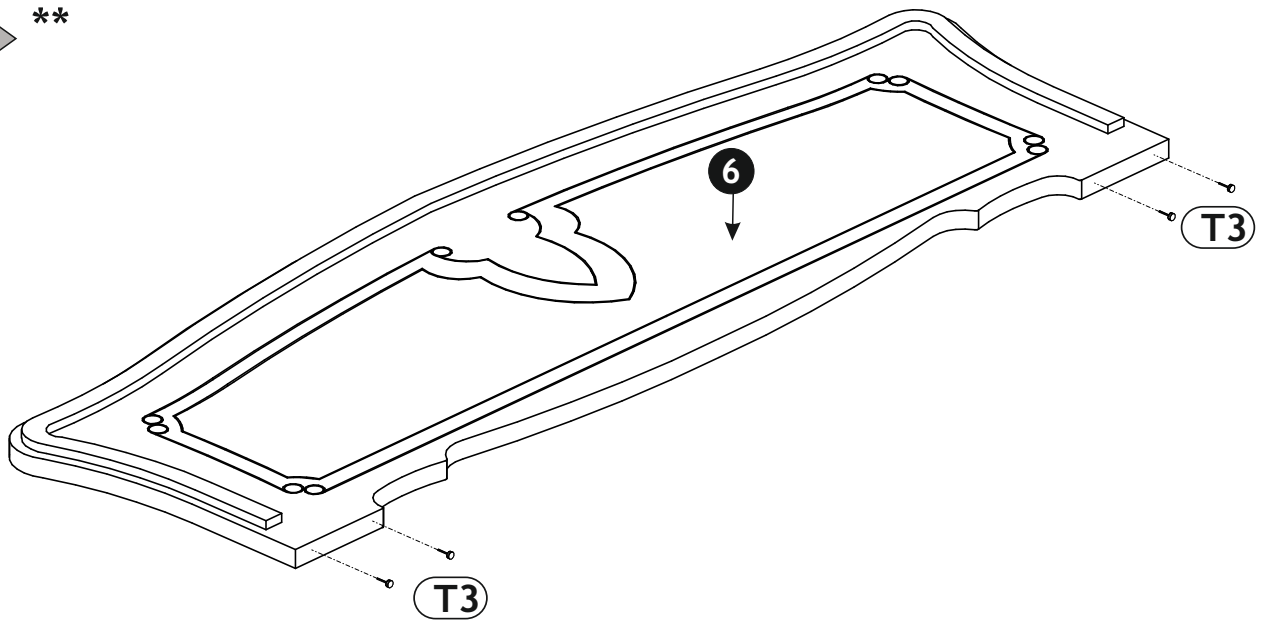
2 ▶ *
**



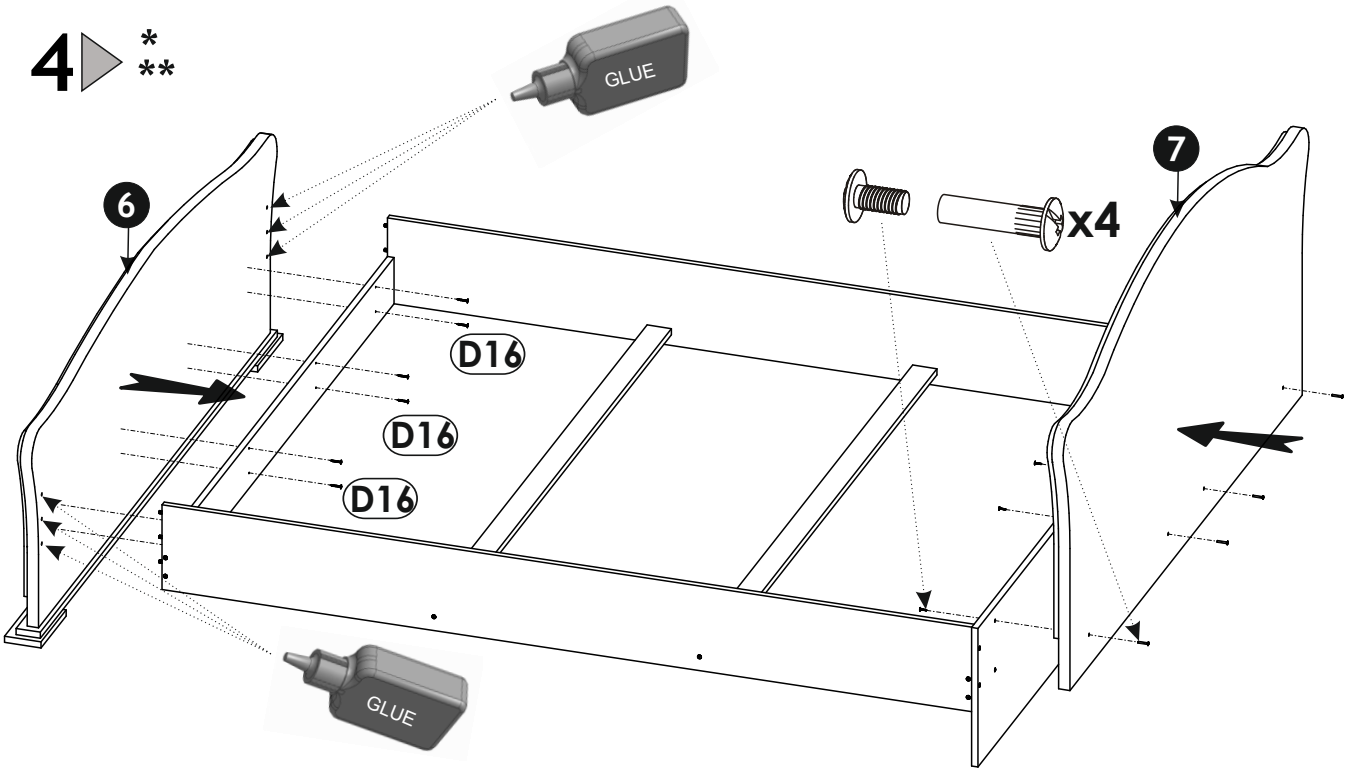
3 ▶ *



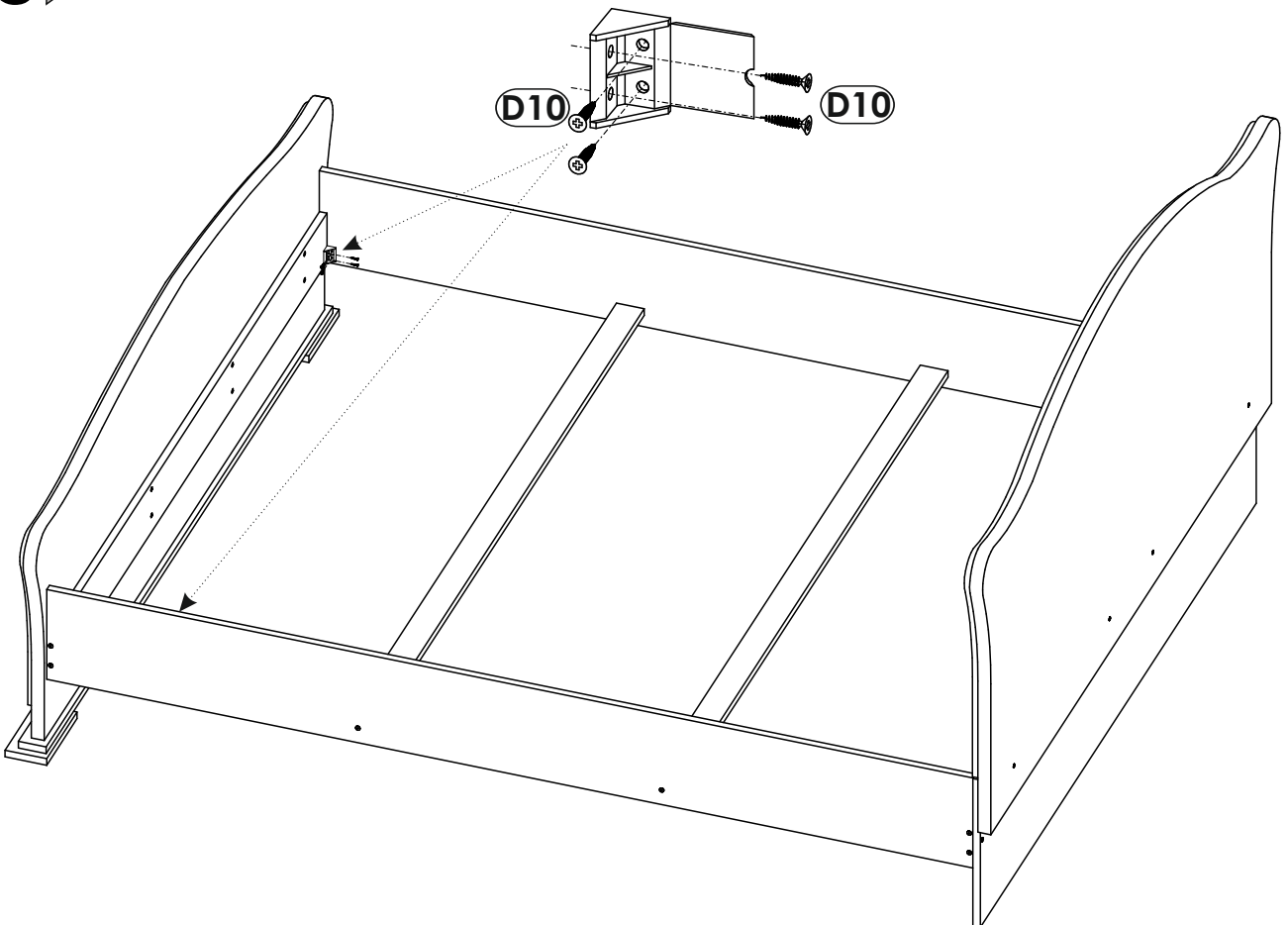
3 ▶ **

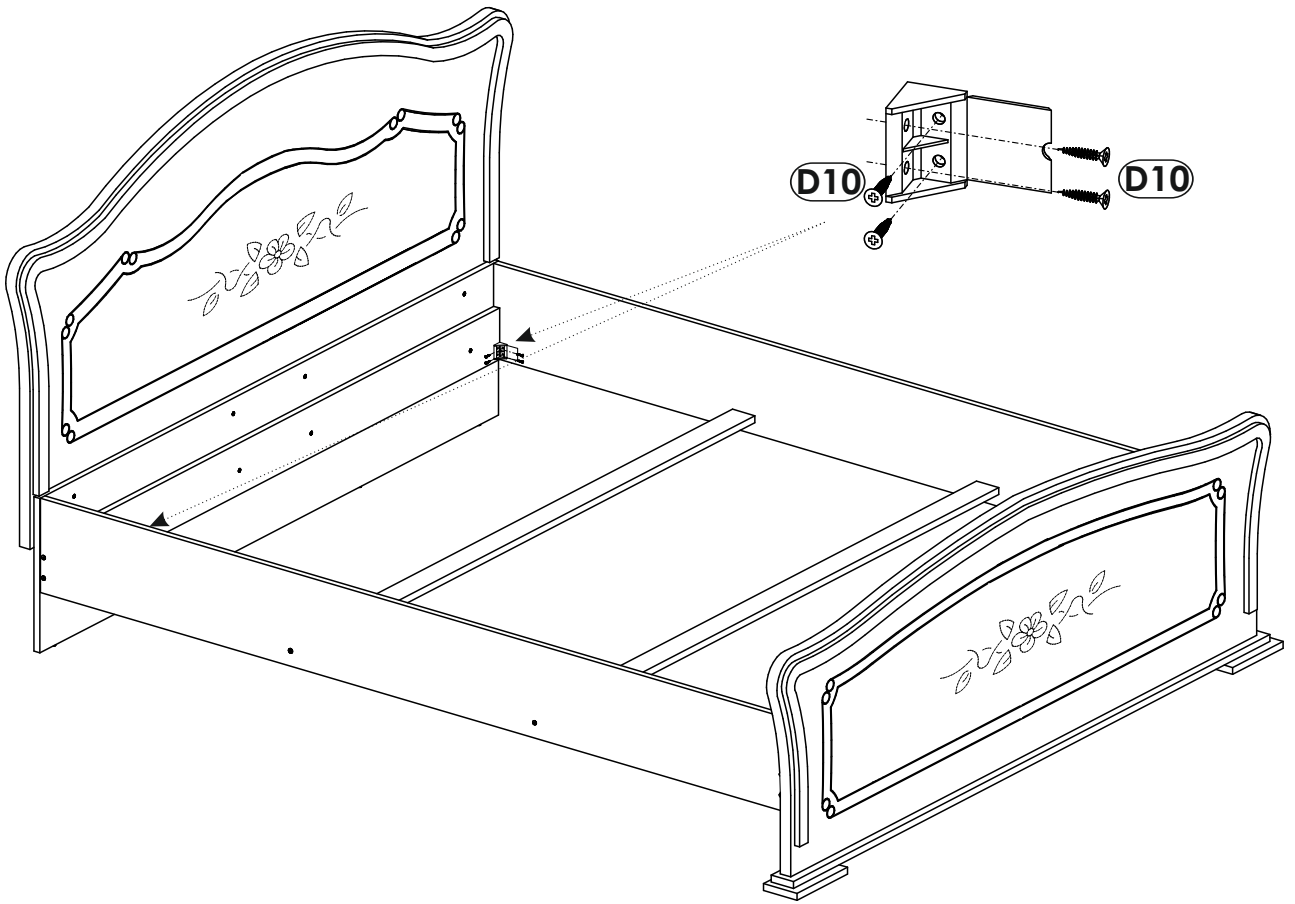


4 ▶ *
**



5 ▶ *
**





6 ▶ *
**

