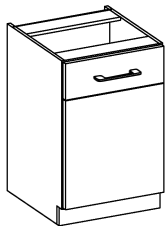








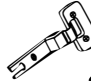


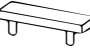




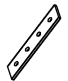
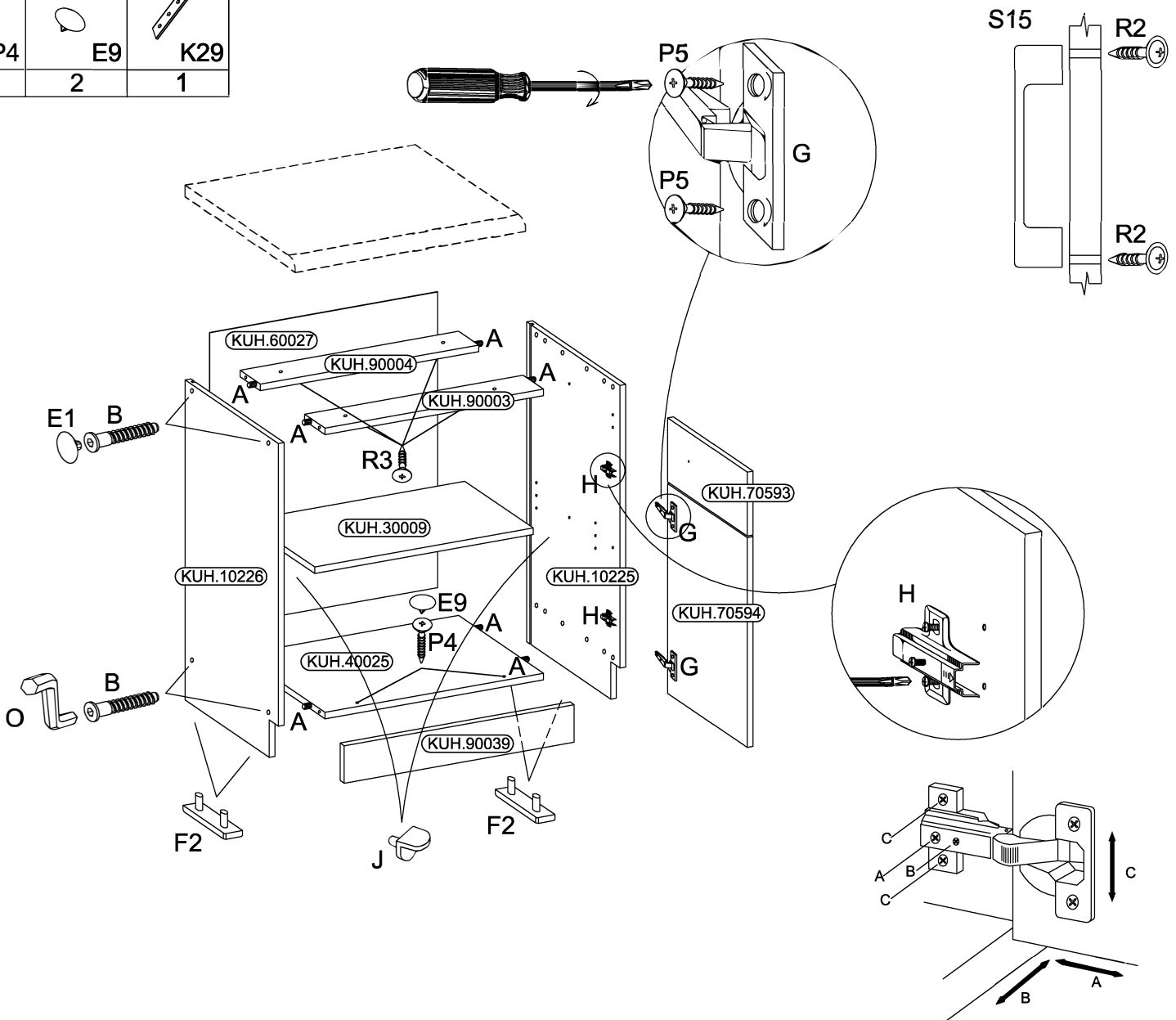
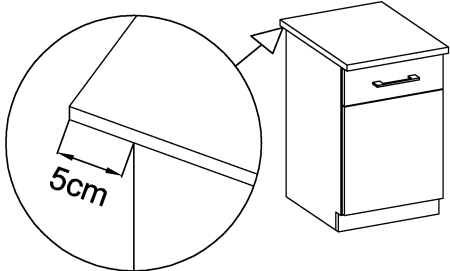
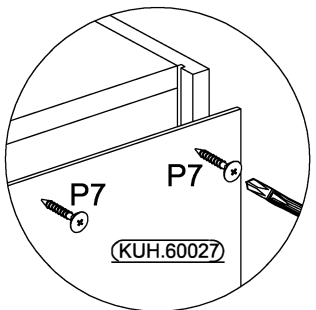
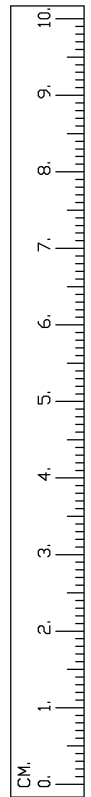
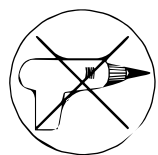
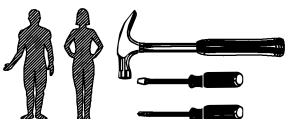


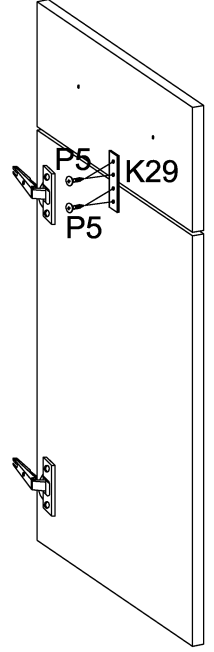
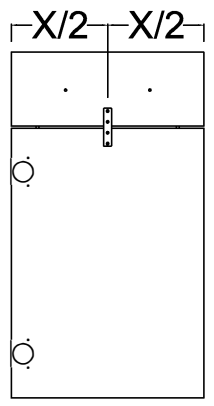
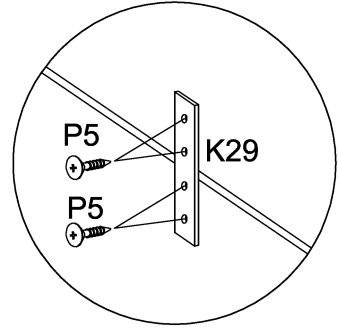
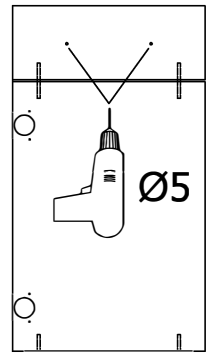
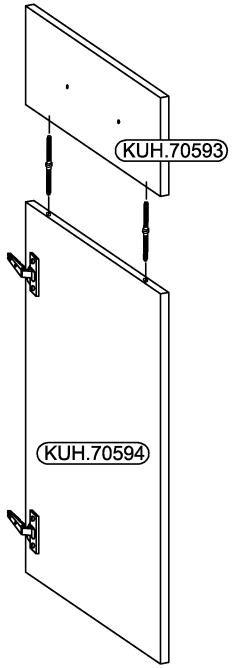
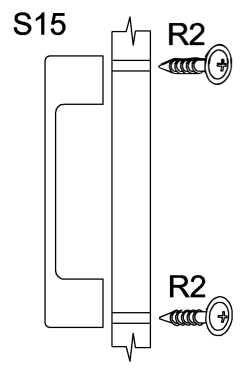
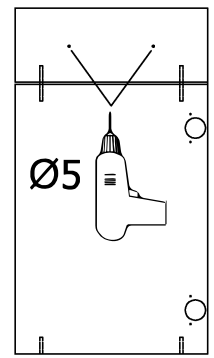
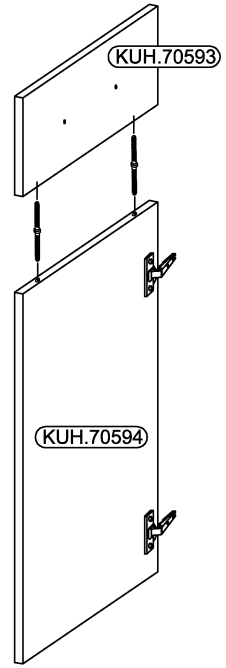
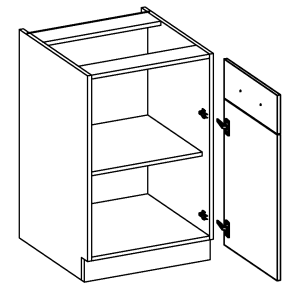
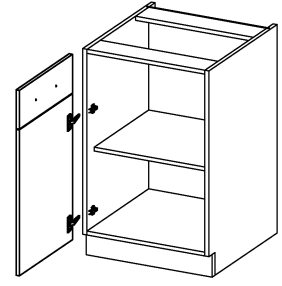
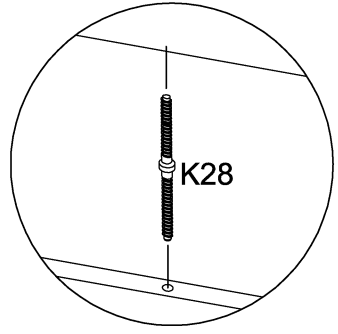
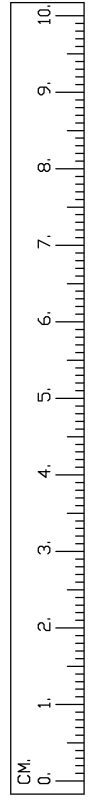
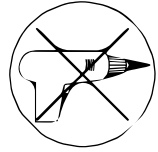
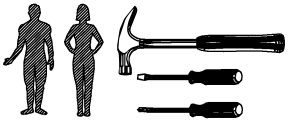
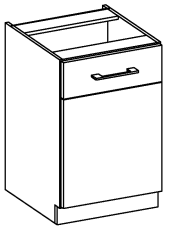
VEGA 40 D 1F BB

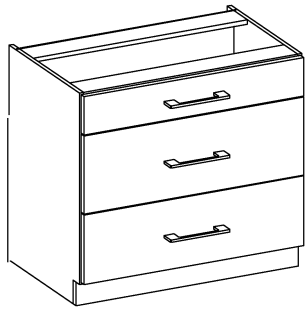


 B	 E1	 A	 O	 S15	 R2	 P7	 J	 G	 H	 P5	 F2	 K28
8	8	8	1	1	2	10-15	4	2	2	8	4	2
 R3	 P4	 E9	 K29									
4	2	2	1									



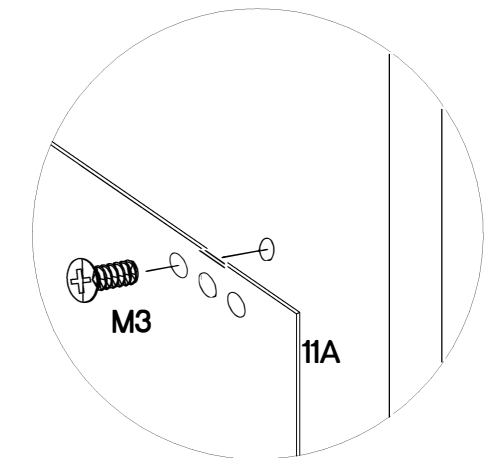
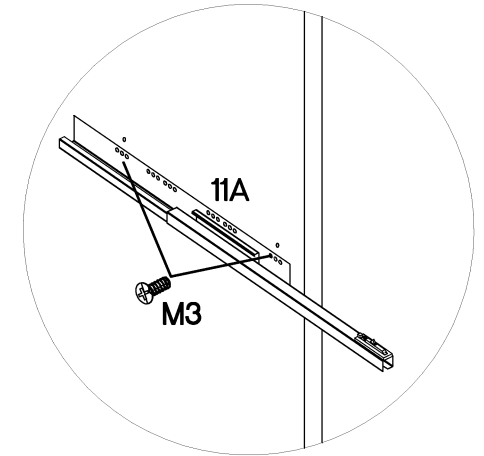
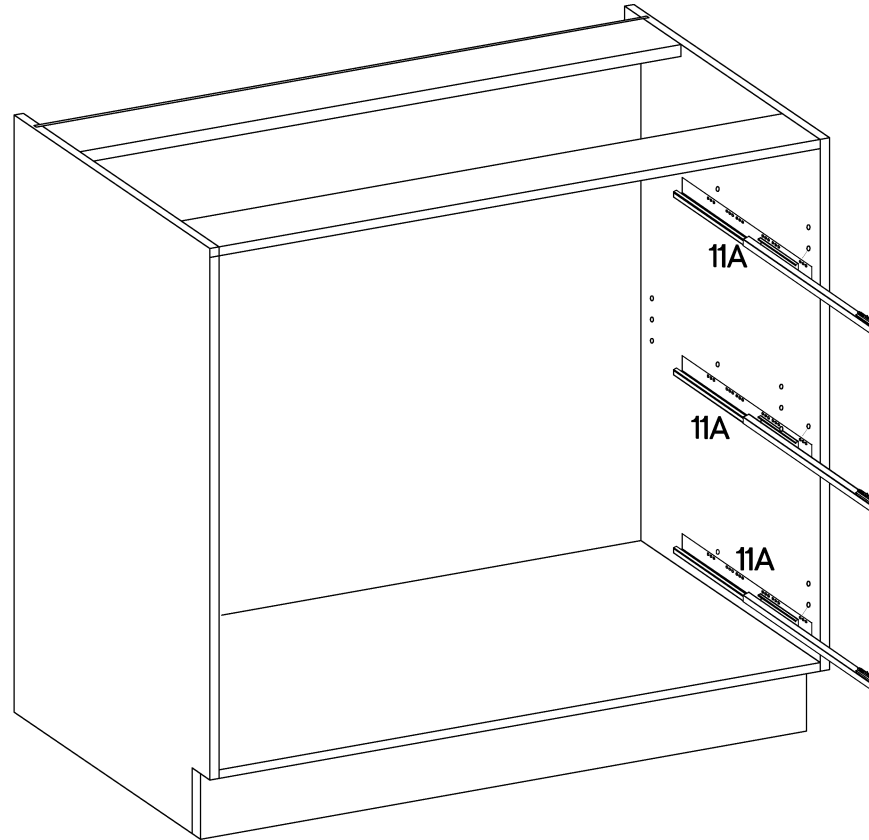
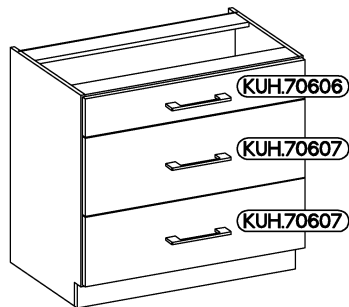
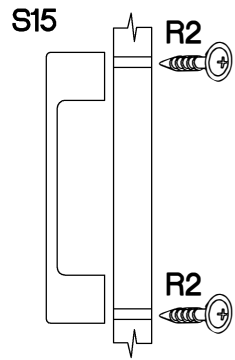
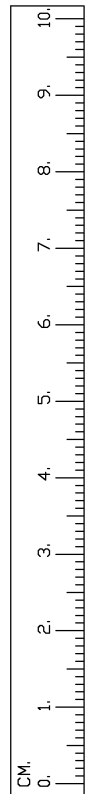
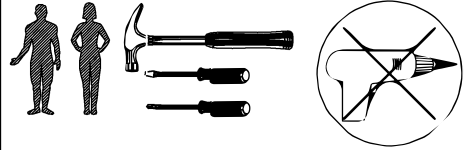
VEGA 40 D 1F BB

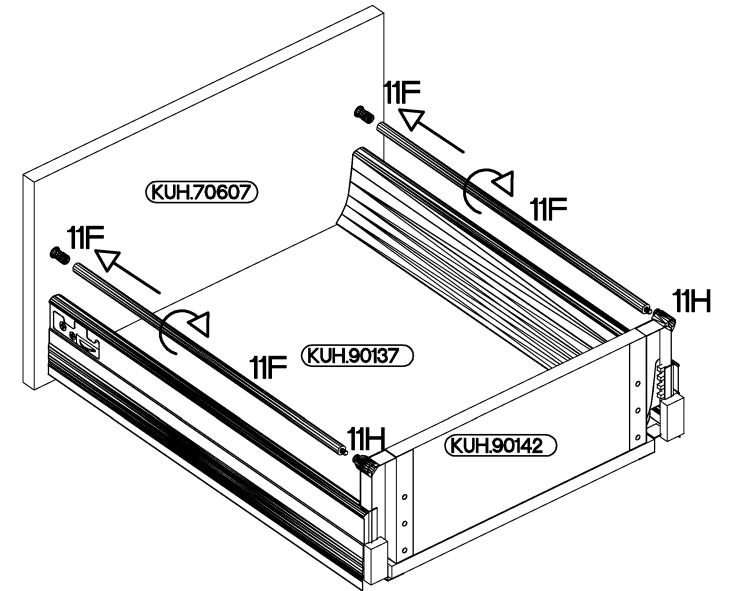
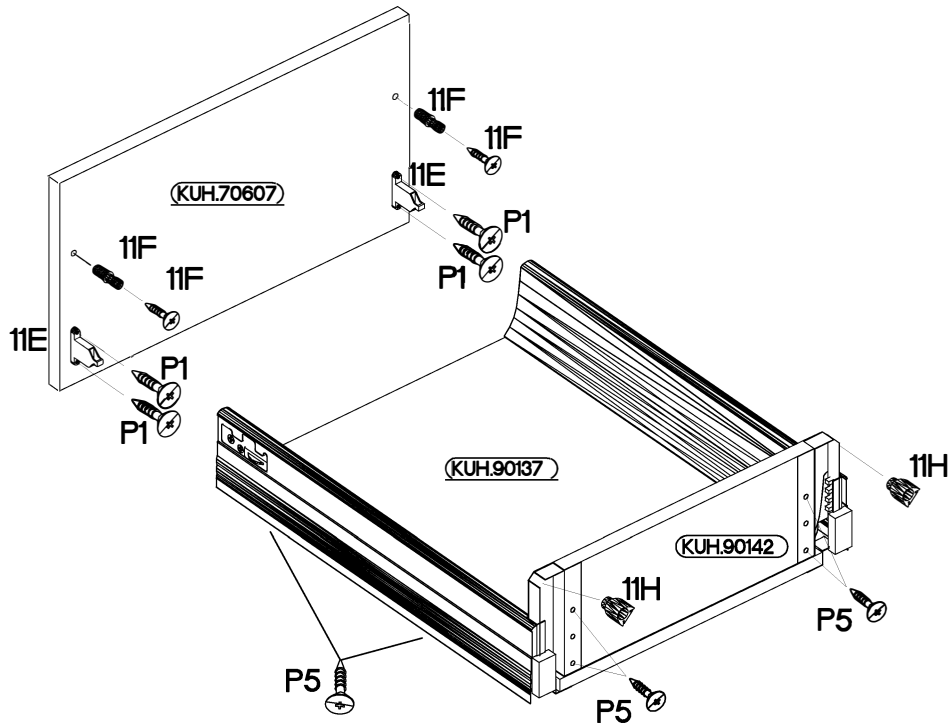
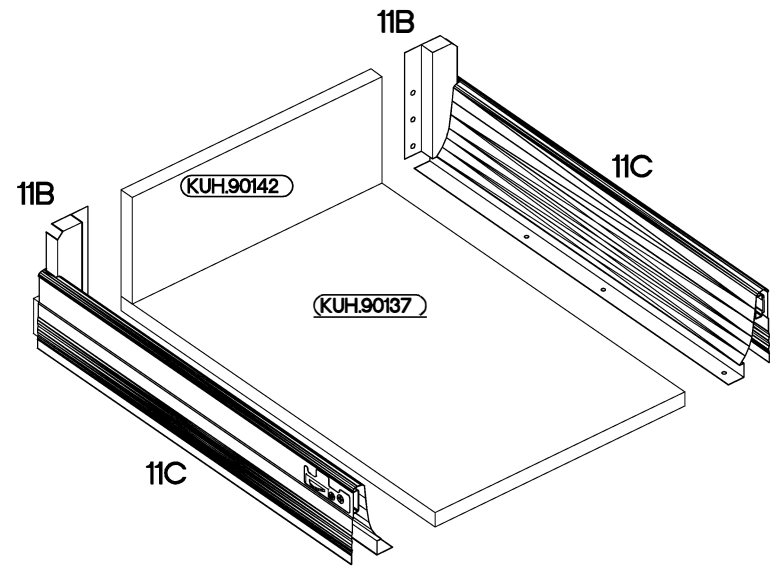
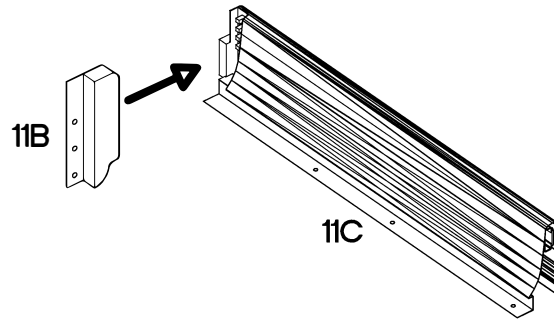
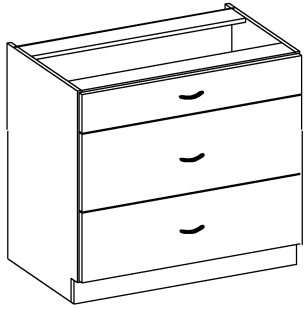


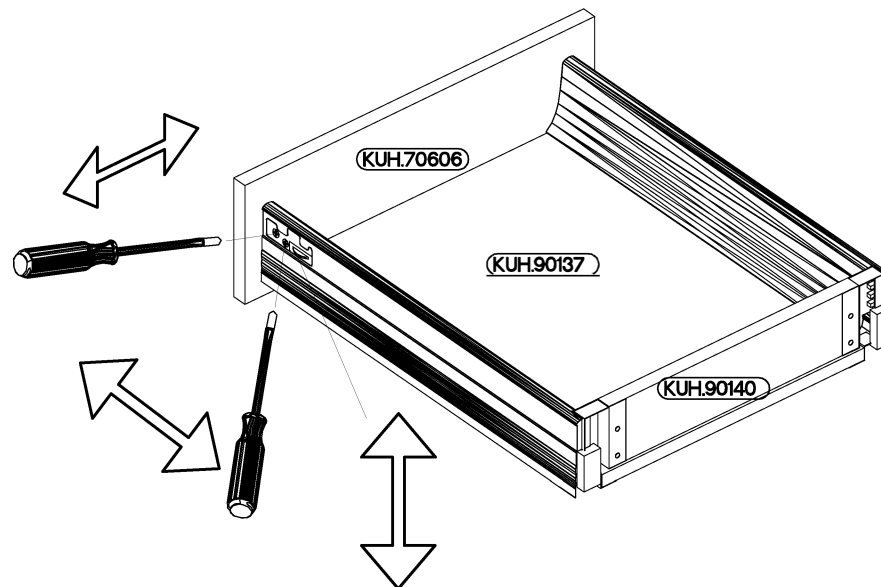
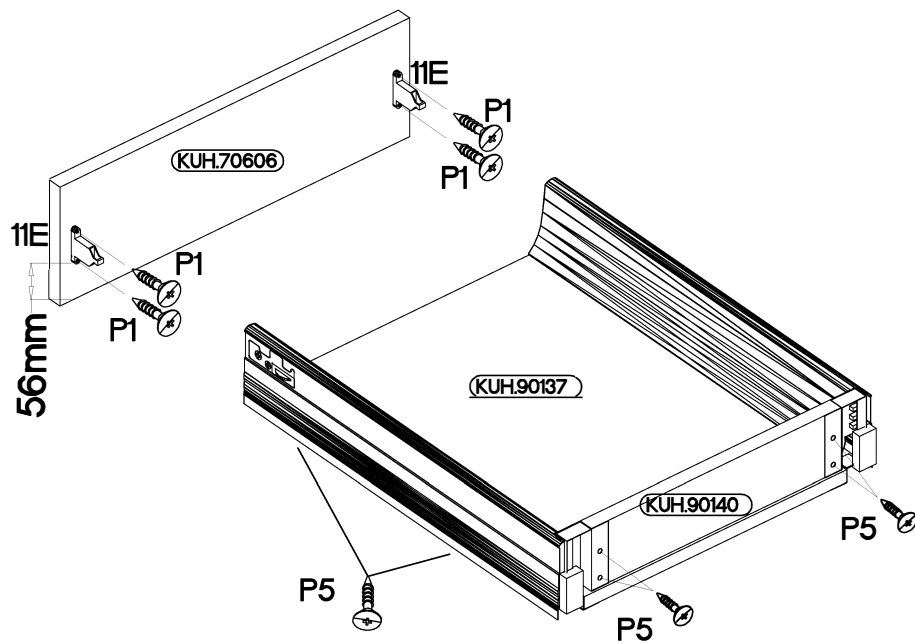
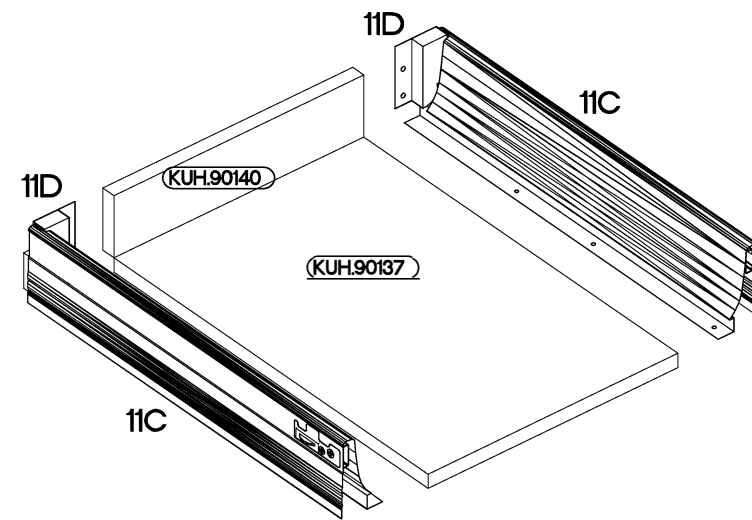
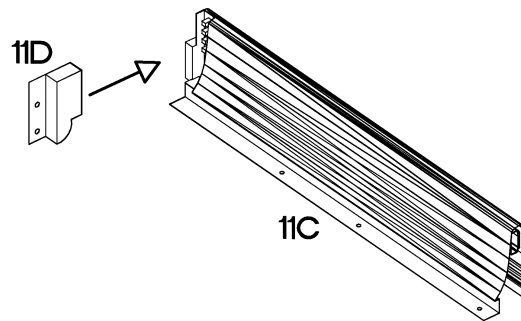
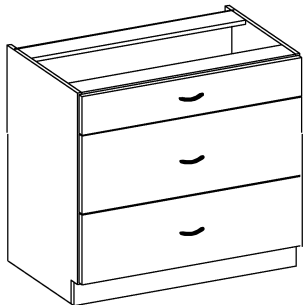


	$\pm 4.0 \times 30 \text{mm}$	$\pm 3.5 \times 13 \text{mm}$	$\pm 6.3 \times 13 \text{mm}$	$\pm 3.0 \times 16 \text{mm}$								
S15	R2	P5	M3	P1	11A	11B	11C	11D	11E	11F	11G	11H
3	6	24	12	12	3	2	3	1	6	4	6	4

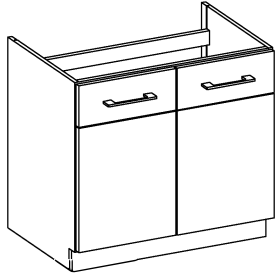
VEGA 60 D 3S BB





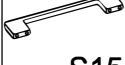


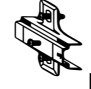








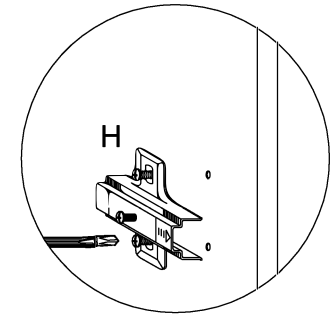
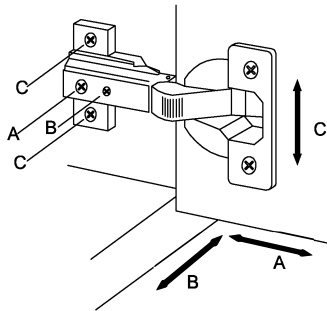
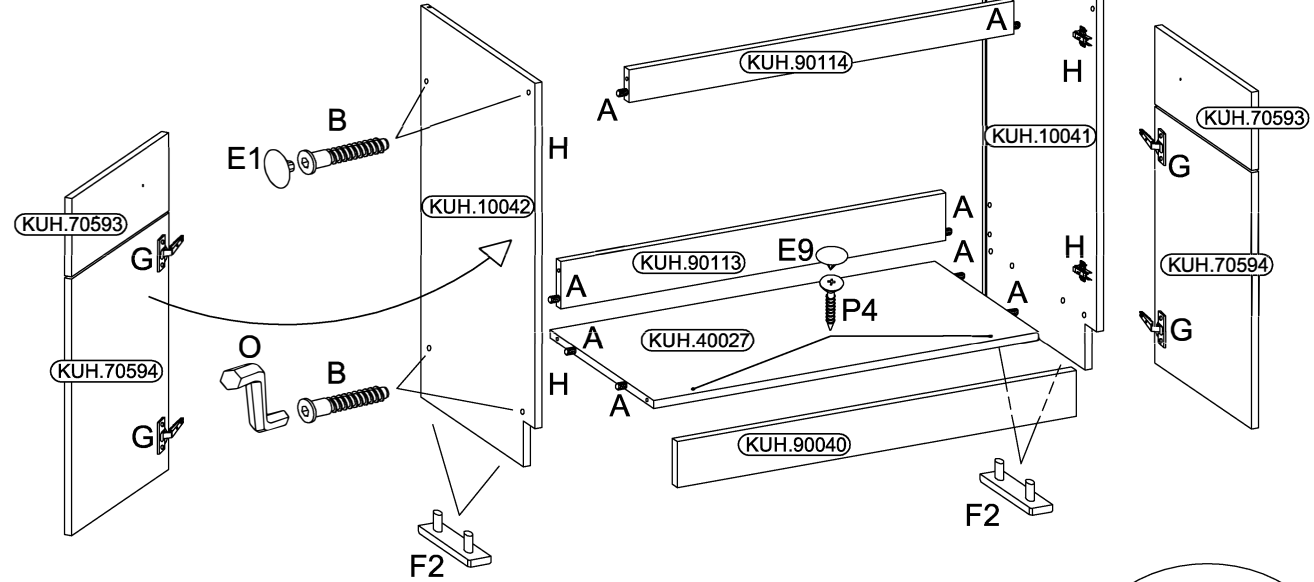
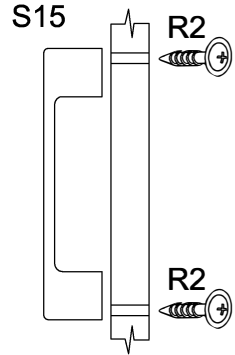
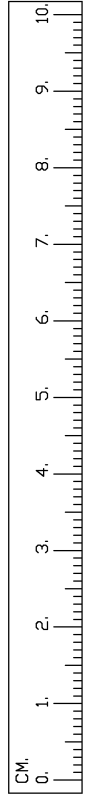
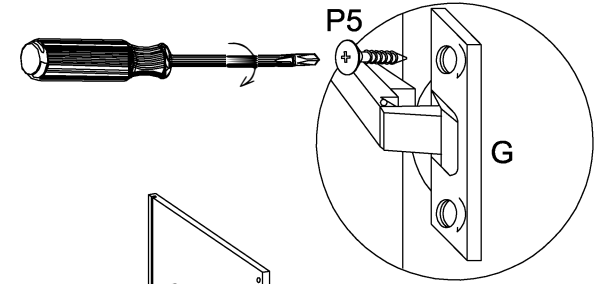
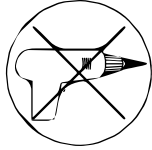




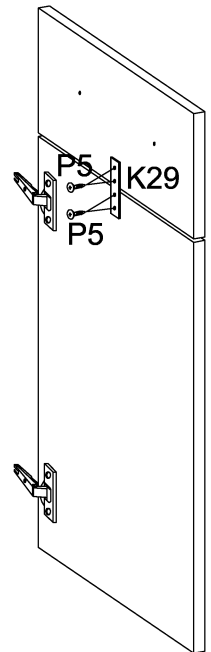
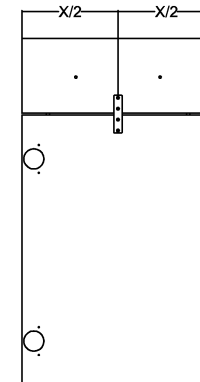
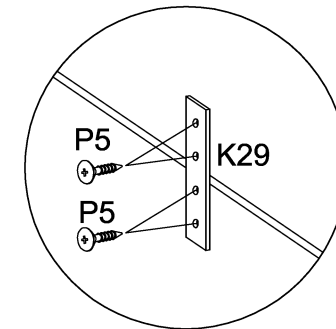
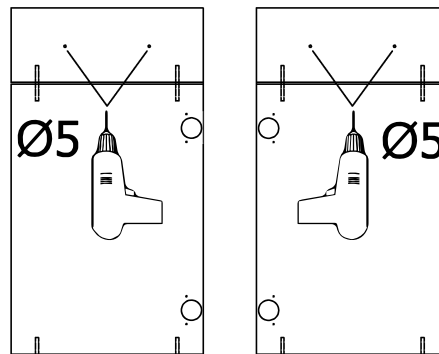
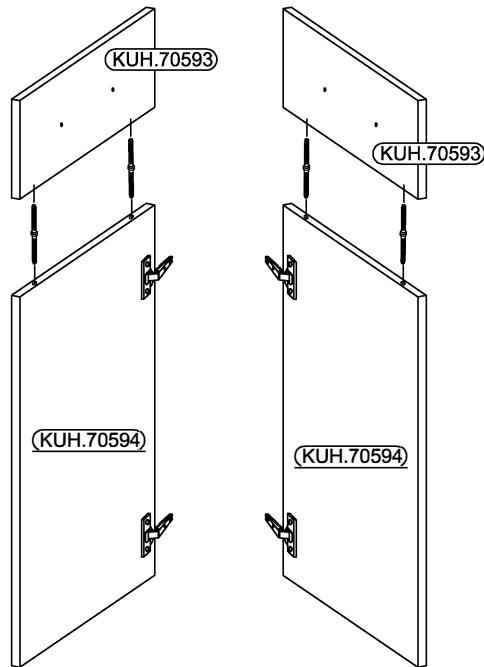
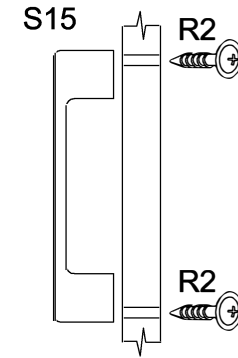
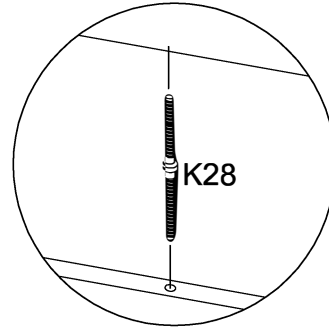
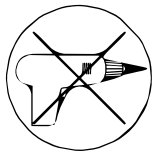
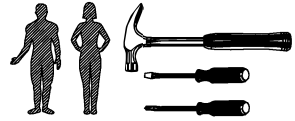
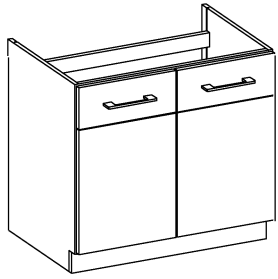
VEGA 80 D 2F BB



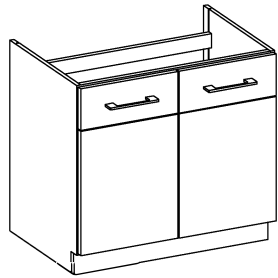
 B 8	 E1 8	 A 8	 O 1	 S15 2	 R2 4	 G 4	 H 4	 P5 16	 F2 4	 P4 2	 E9 2
 K28 4	 K29 2										














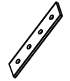


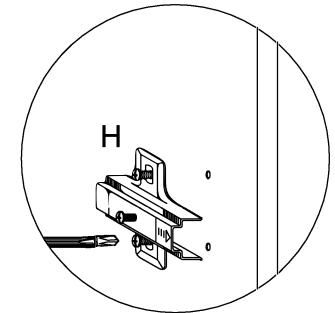
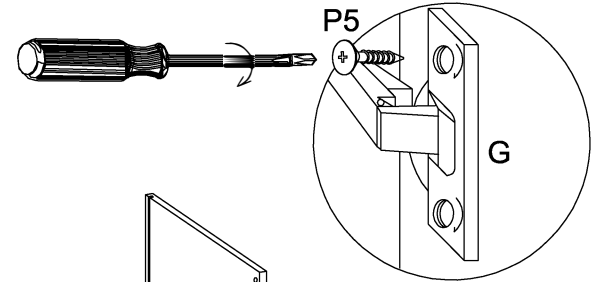
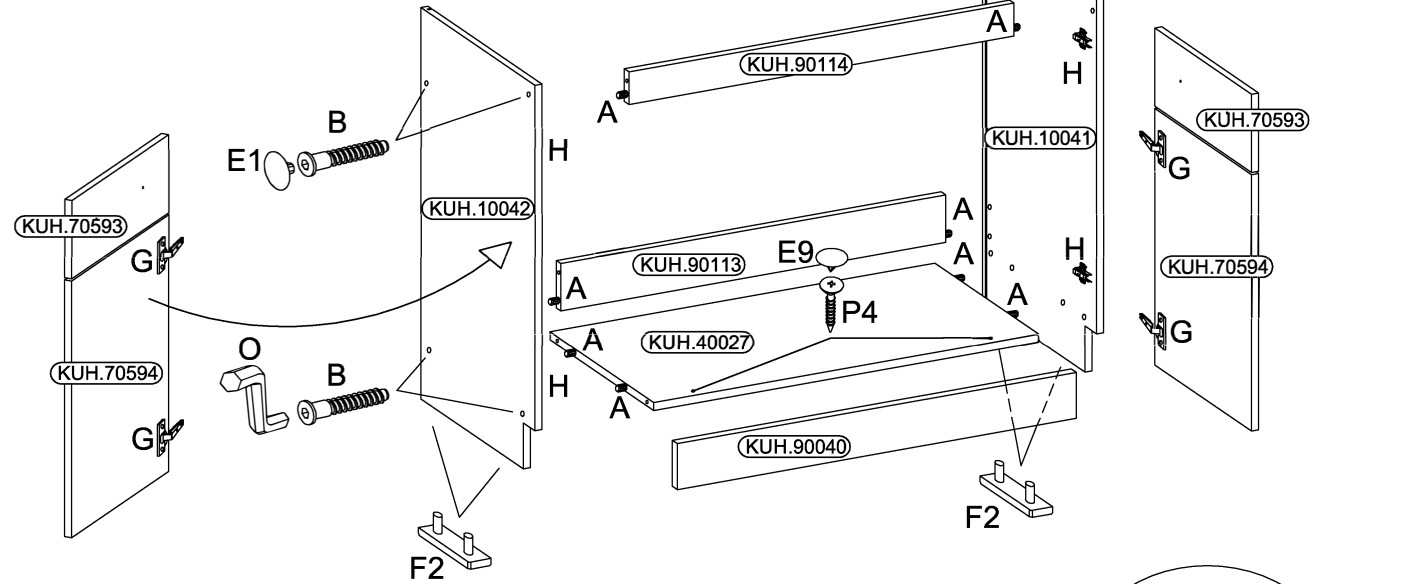
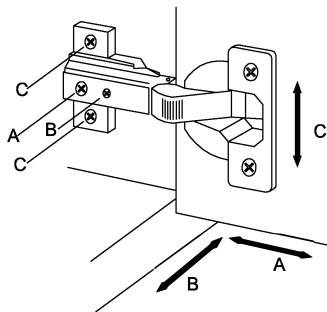
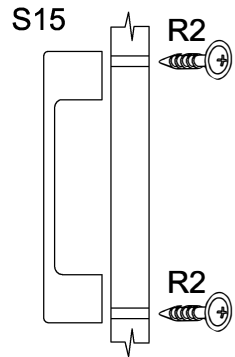
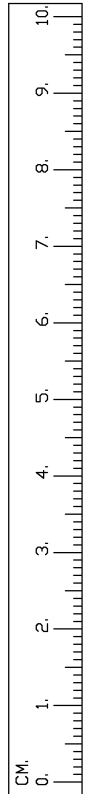
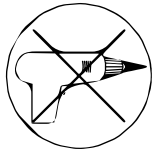
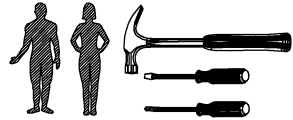
VEGA 80 D 2F BB



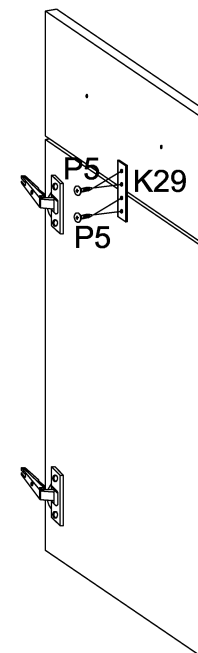
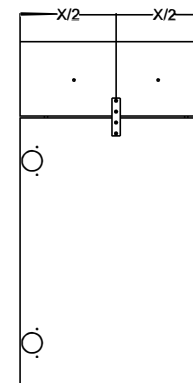
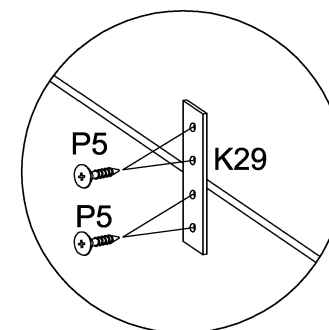
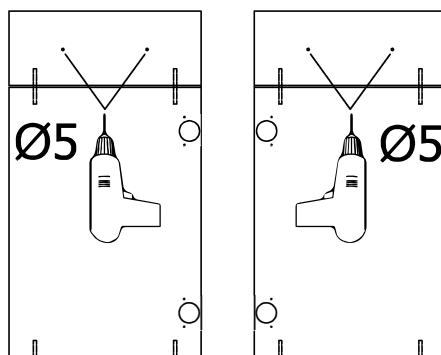
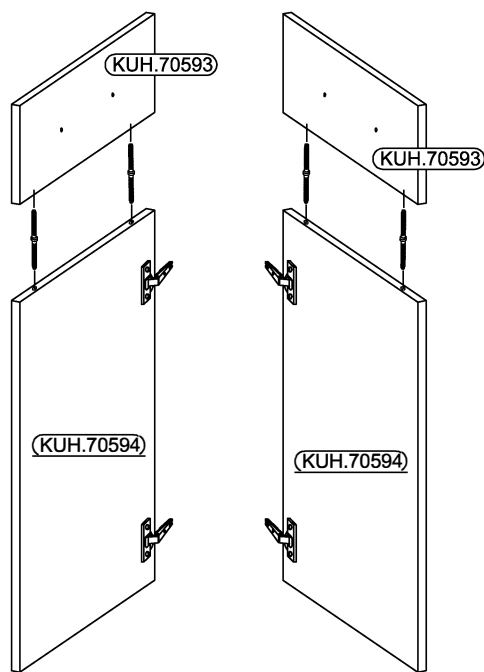
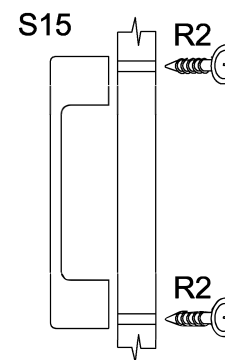
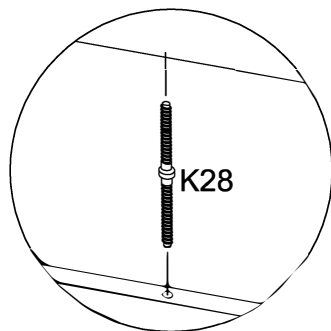
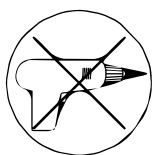
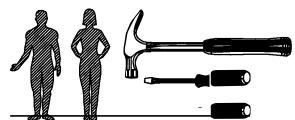
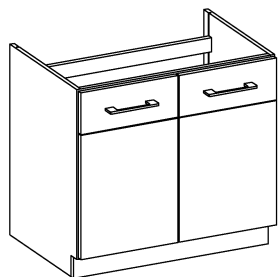
VEGA 80 ZL 2F BB



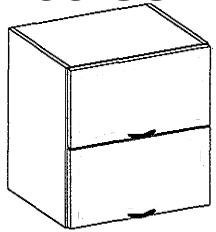
 B 8	 E1 8	 A 8	 O 1	 S15 2	 R2 4	 G 4	 H 4	 P5 16	 F2 4	 P4 2	 E9 2
 K28 4	 K29 2										







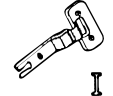
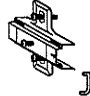

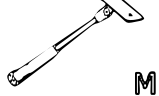

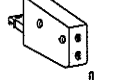



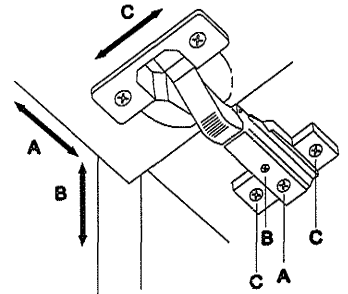
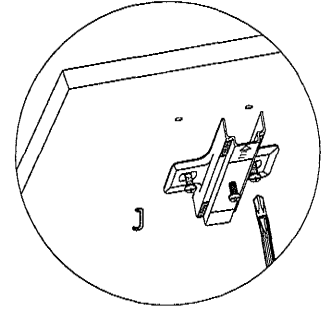
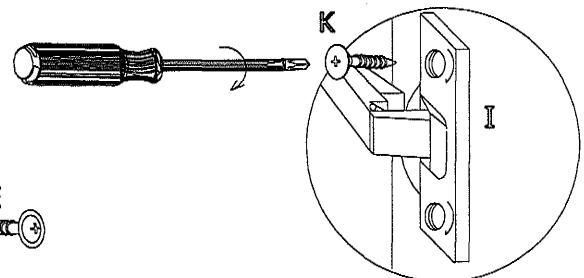
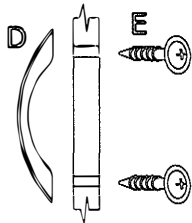
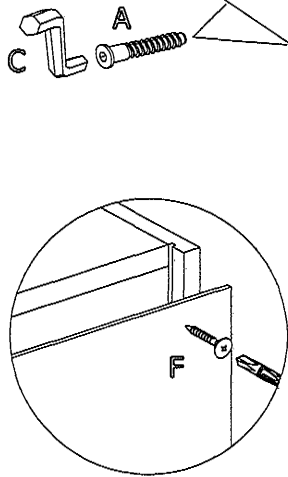
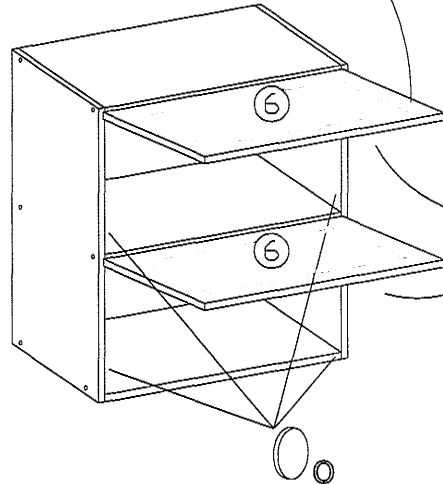
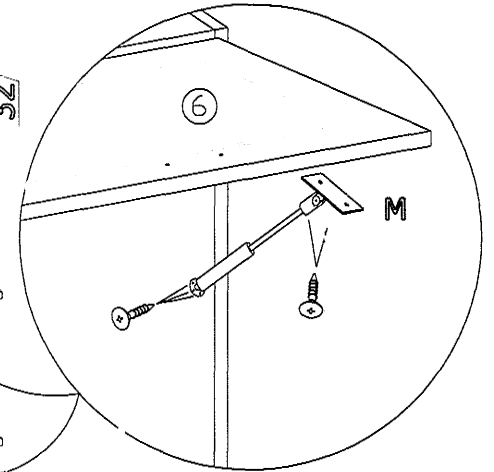
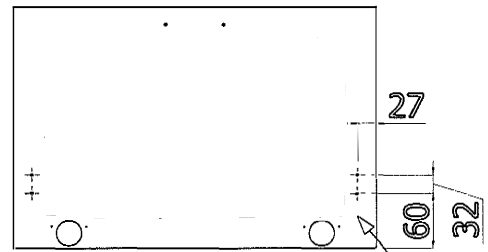
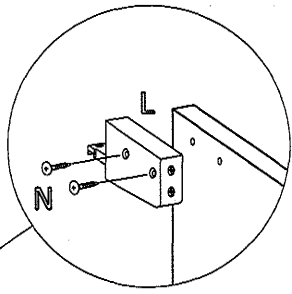
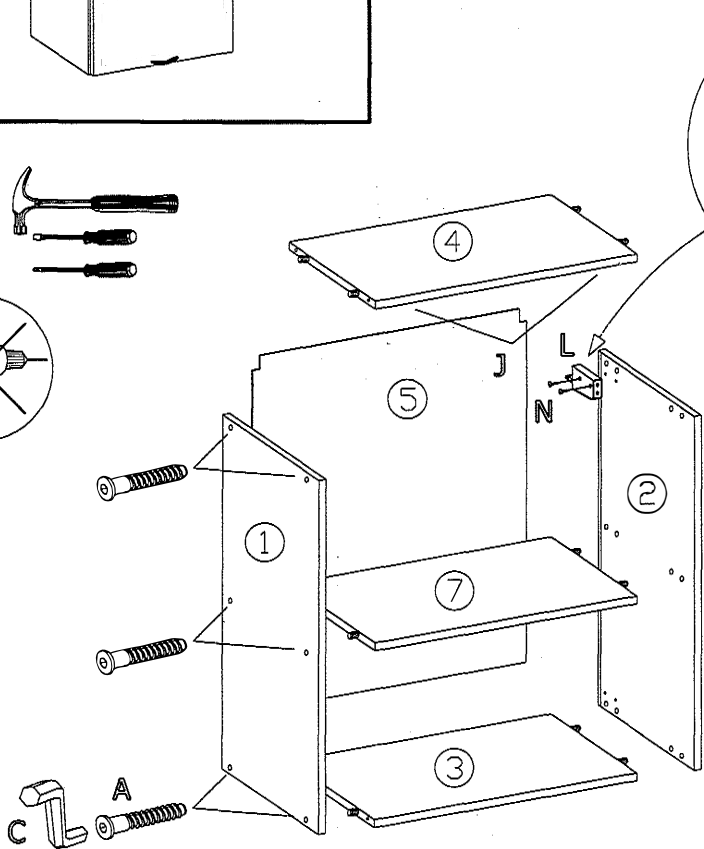
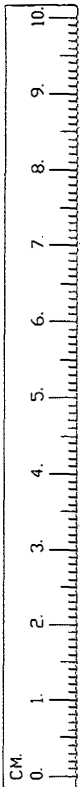
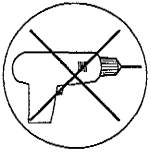
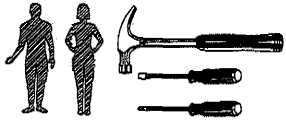
VEGA 80 ZL 2F BB



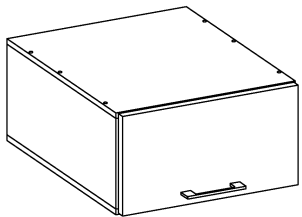
VEGA 60 GU-72 2F

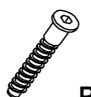






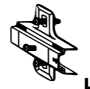

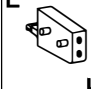
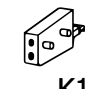
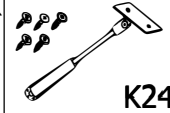


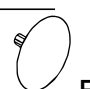


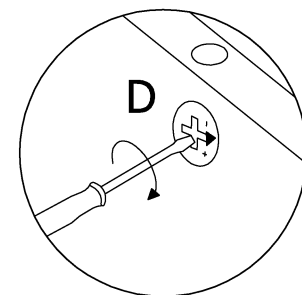
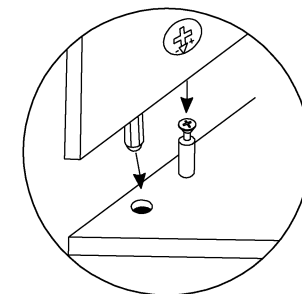
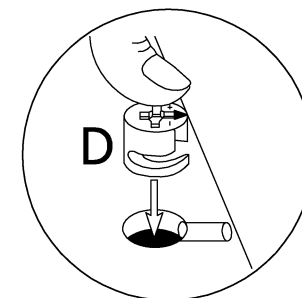
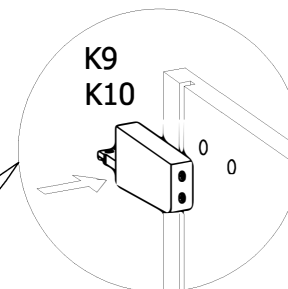
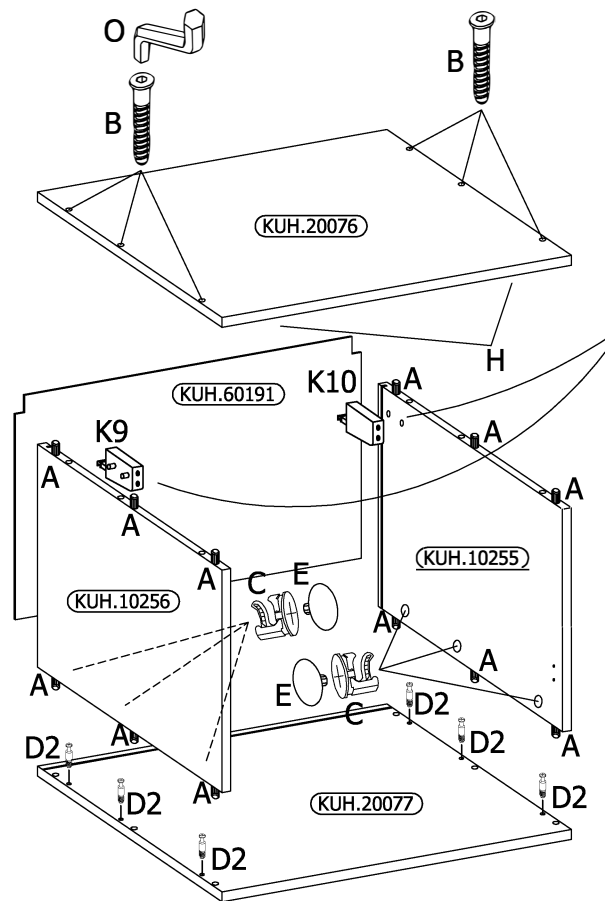
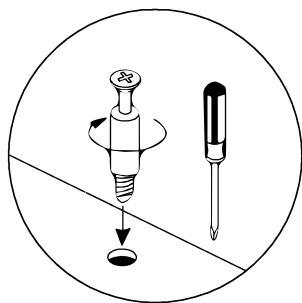
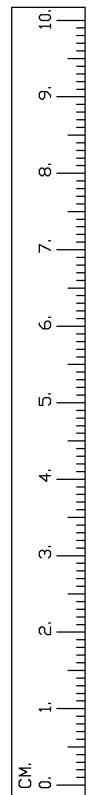
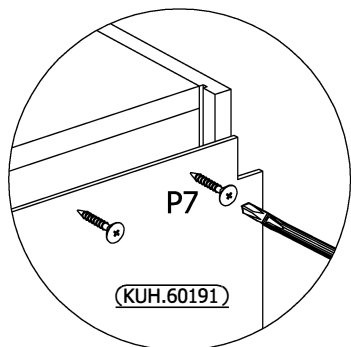
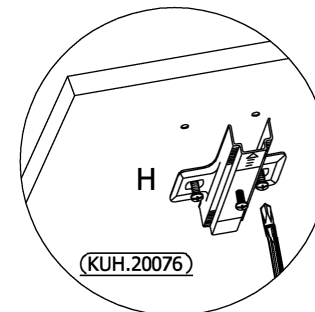
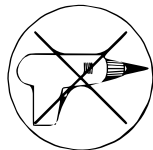
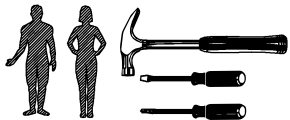
				$\varnothing 4.0 \times 27 \text{mm}$ 	$\varnothing 3.0 \times 20 \text{mm}$ 			$\varnothing 4.0 \times 13 \text{mm}$ 				$\varnothing 4.0 \times 30 \text{mm}$ 
12	12	1	2	2	10-15	4	4	8	4	4	2	4



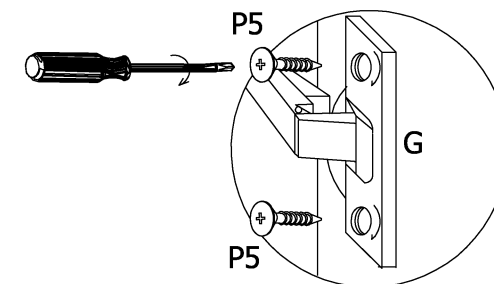
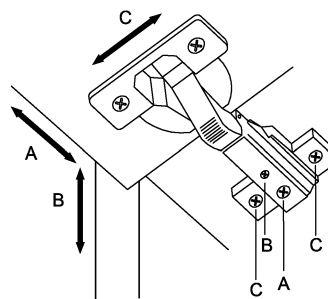
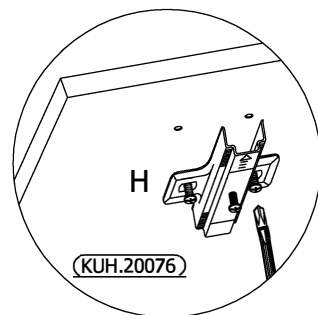
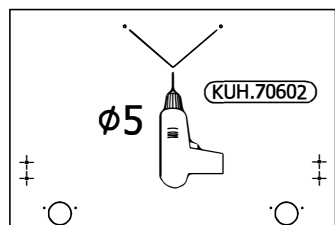
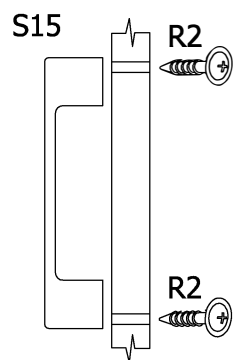
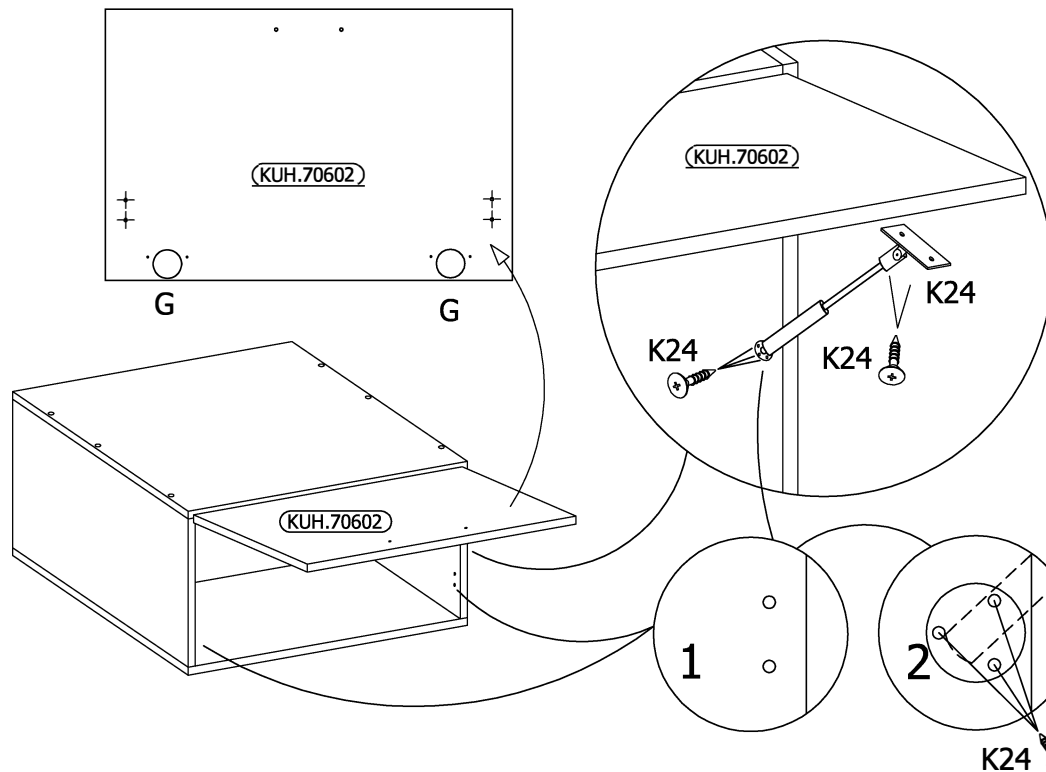
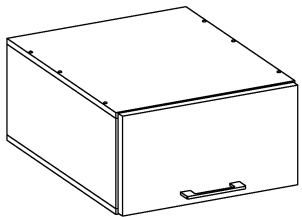
VEGA 60 NAGU-36 1F



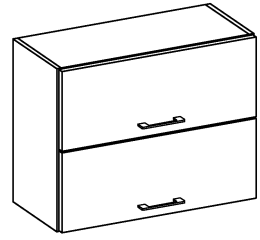
 B 6	 A 12	 O 1	 S15 1	 R2 2	 P7 10	 G 2	 H 2	 P5 4	 L 1	 R 1	 K24 2
 D2 6	 C 6	 E 6									








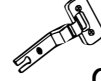



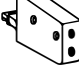





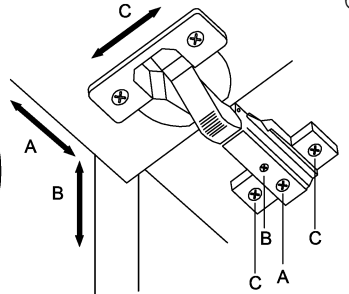
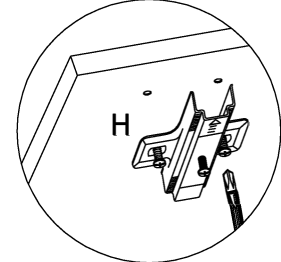
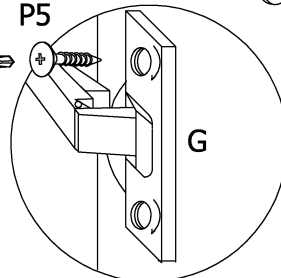
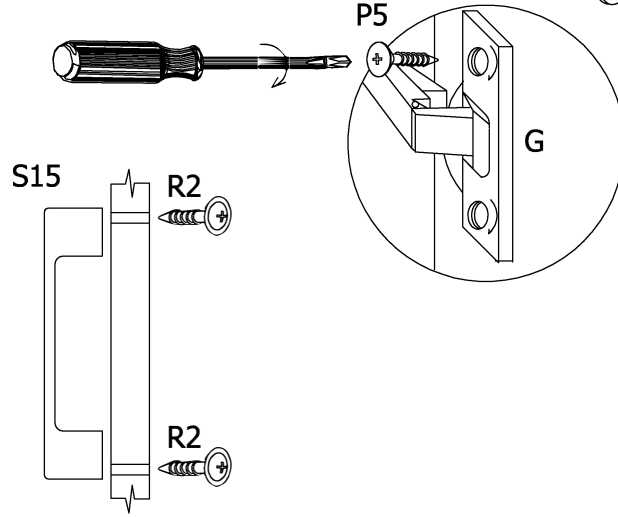
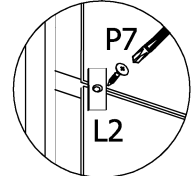
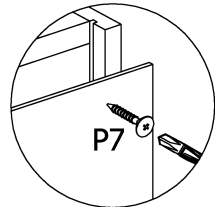
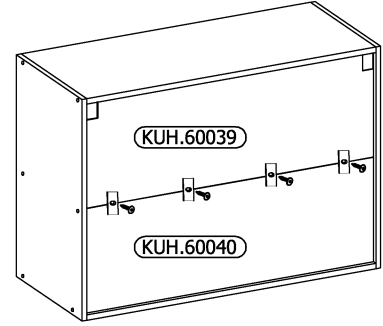
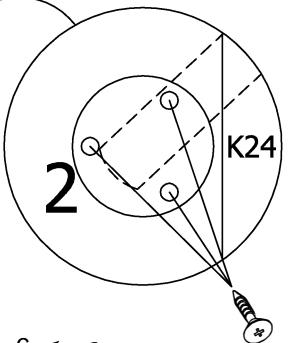
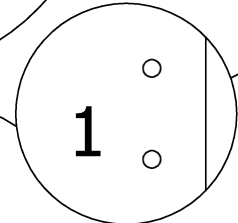
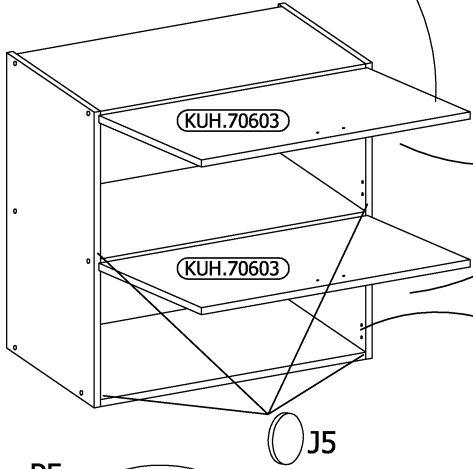
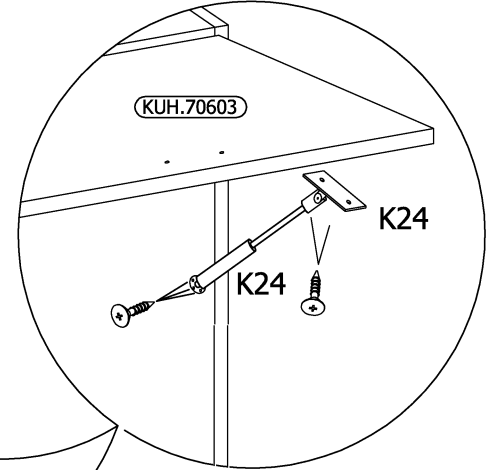
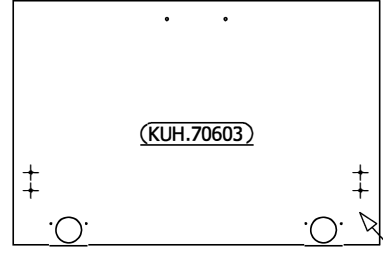
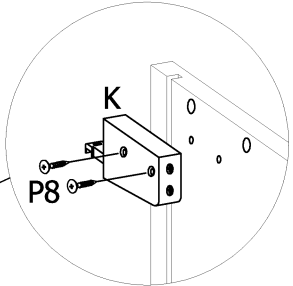
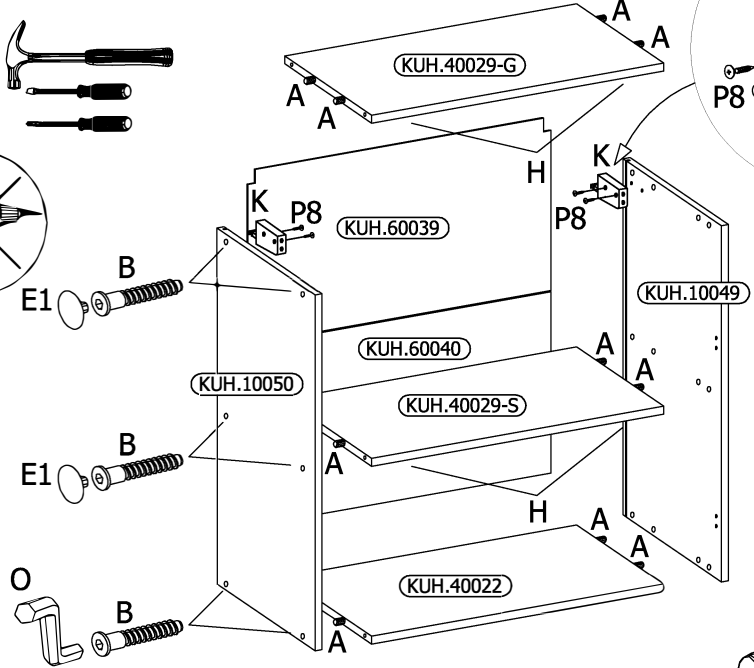
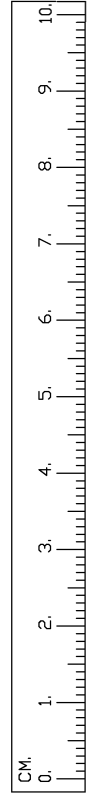
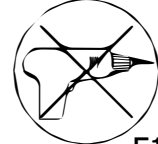
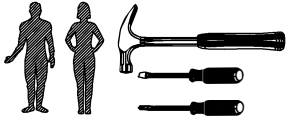
VEGA 60 NAGU-36 1F



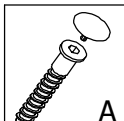
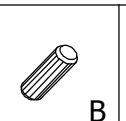
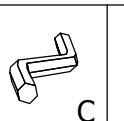
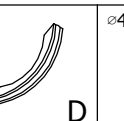
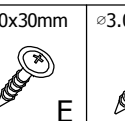
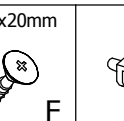
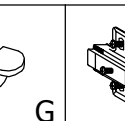
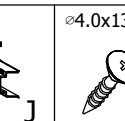
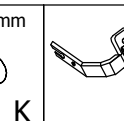
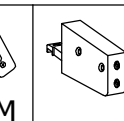
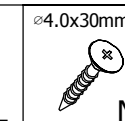
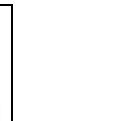
VEGA 80 GU-72 2F

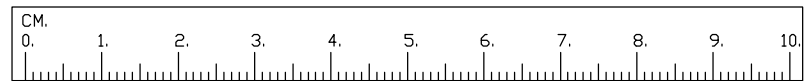
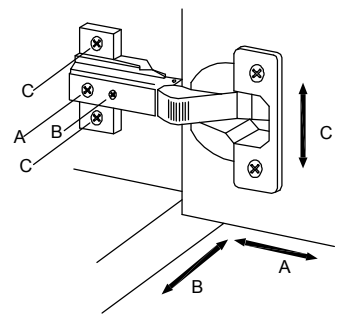
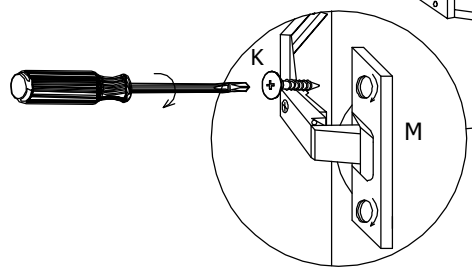
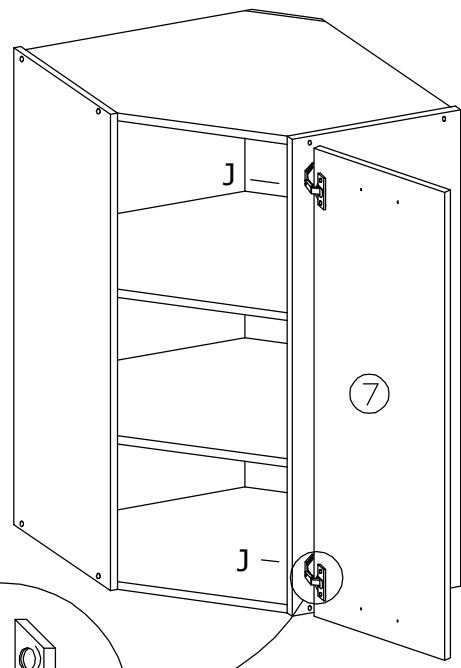
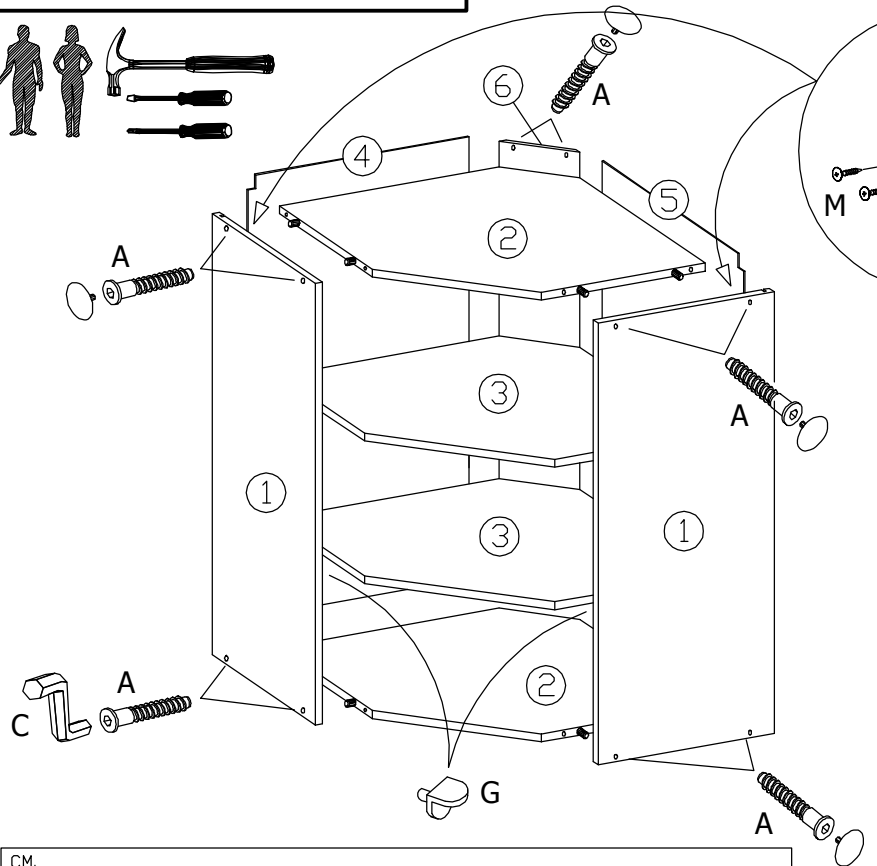
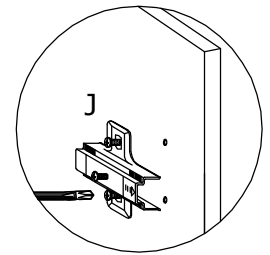
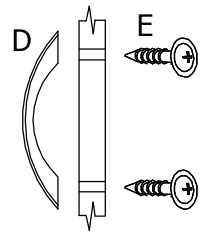
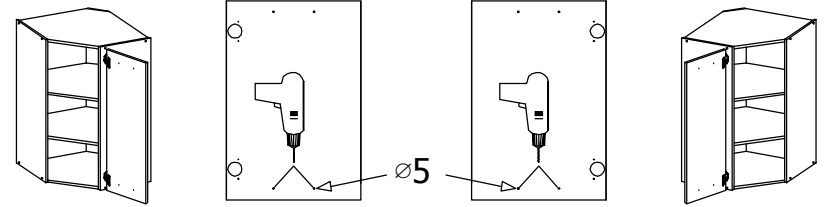
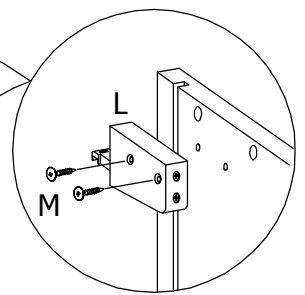
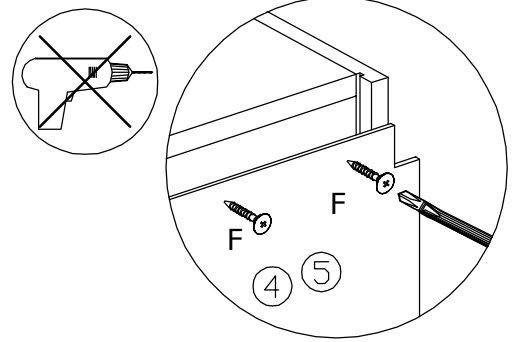
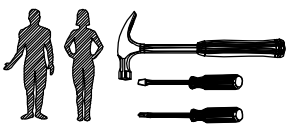
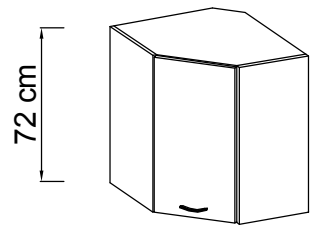


 B 12	 E1 12	 A 12	 O 1	 S15 2	 R2 4	 P7 10-15	 G 4	 H 4	 P5 8	 K24 4	 K 2	 P8 4
 L2 4	 J5 4											

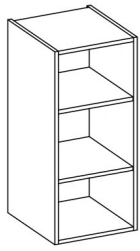








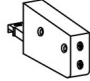

VEGA 58x58 GN-72 1F

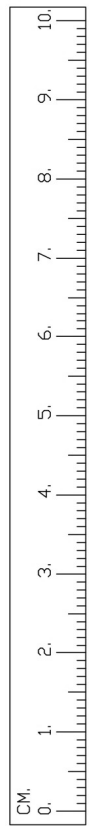
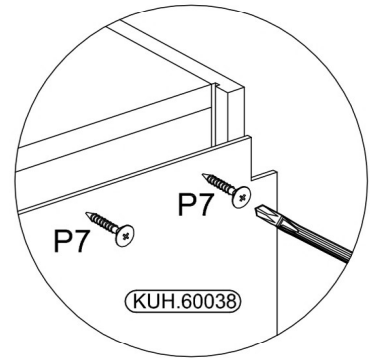
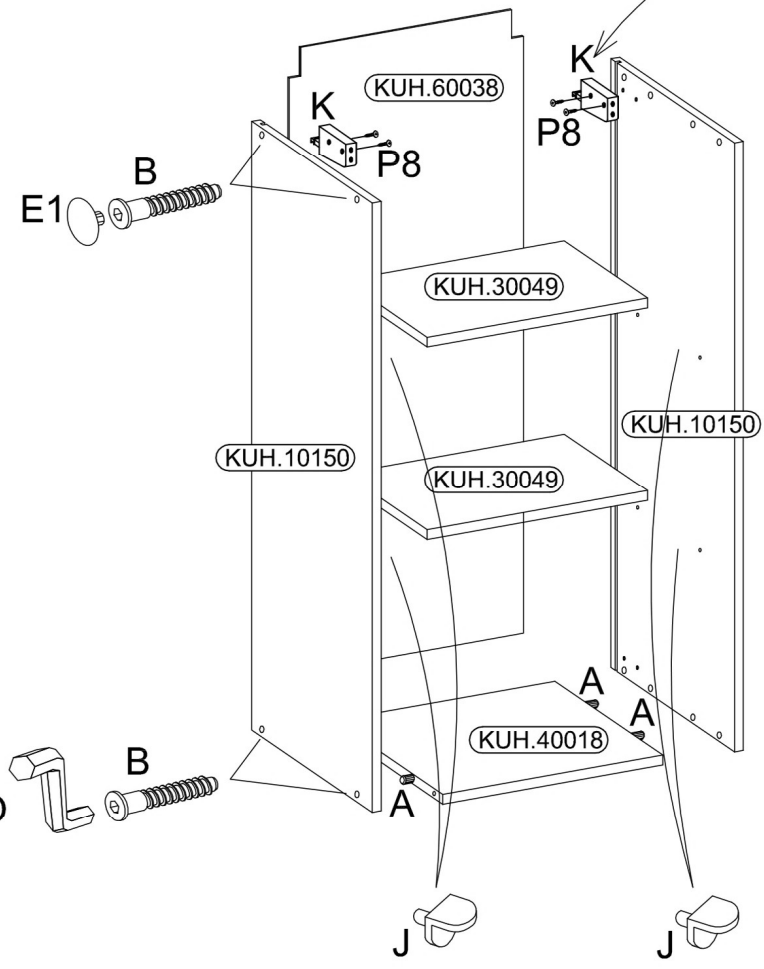
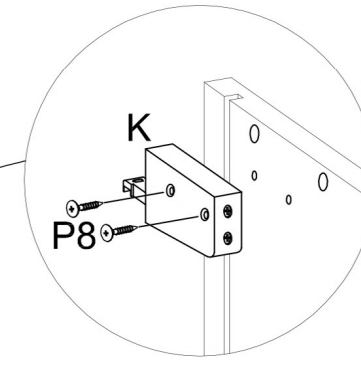
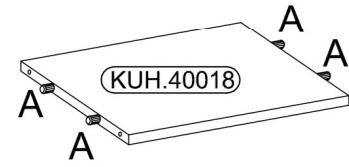
											
12	8	1	1	2	20	10	2	4	2	2	4



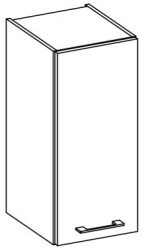
30 G-72 OTW









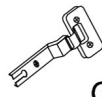
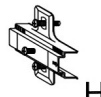

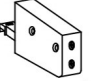



				$\varnothing 3.0 \times 20 \text{mm}$ 			$\varnothing 4.0 \times 30 \text{mm}$ 
B	E1	A	O	P7	J	K	P8
8	8	8	1	8-10	8	2	4



40 G-72 1F



												
B	E1	A	O	S15	R2	P7	J	G	H	P5	K	P8
8	8	8	1	1	2	8-10	8	2	2	4	2	4

