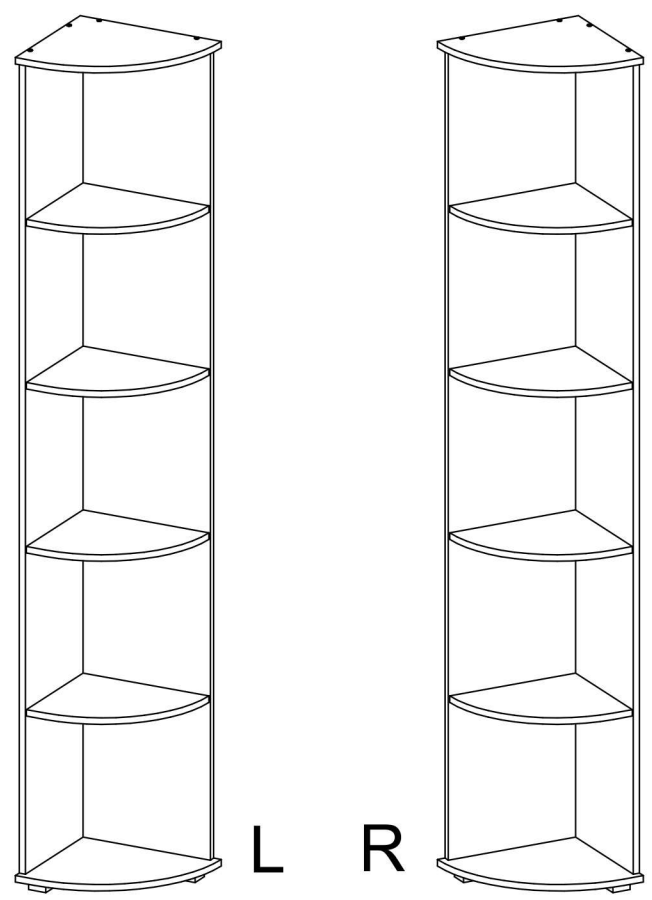
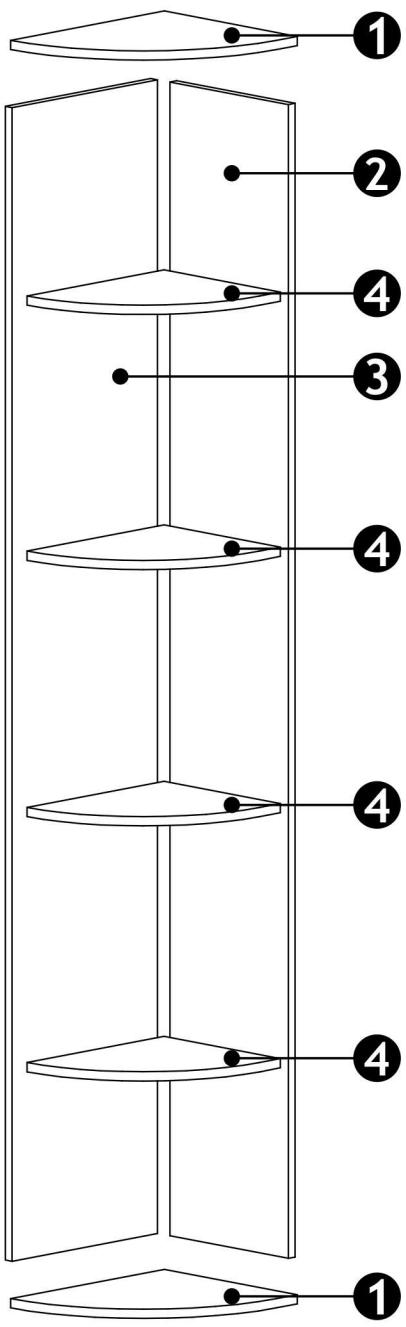
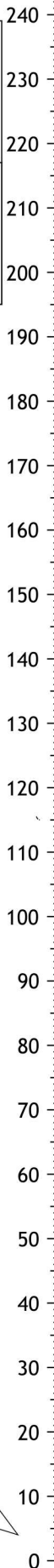
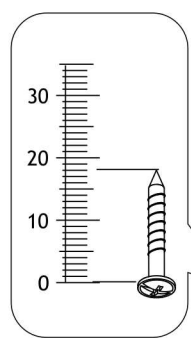


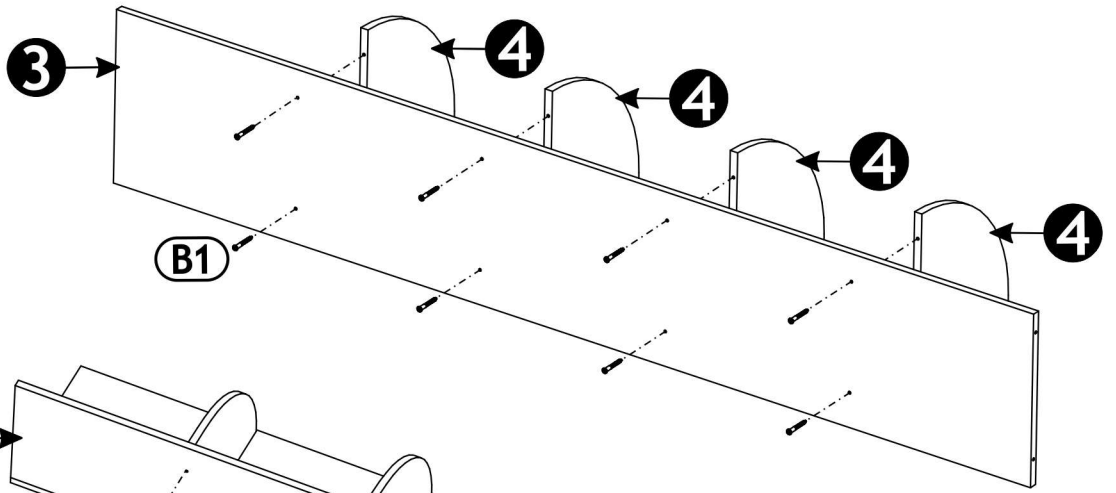
| | | |
|--------------------------------------|--------------------------------------|------------------------|
| B1 7 x 50 mm x24 | D14 4 x 35 mm x9 | H0 x3 |
| K 4mm x1 | T2 x3 | U4 x3 |



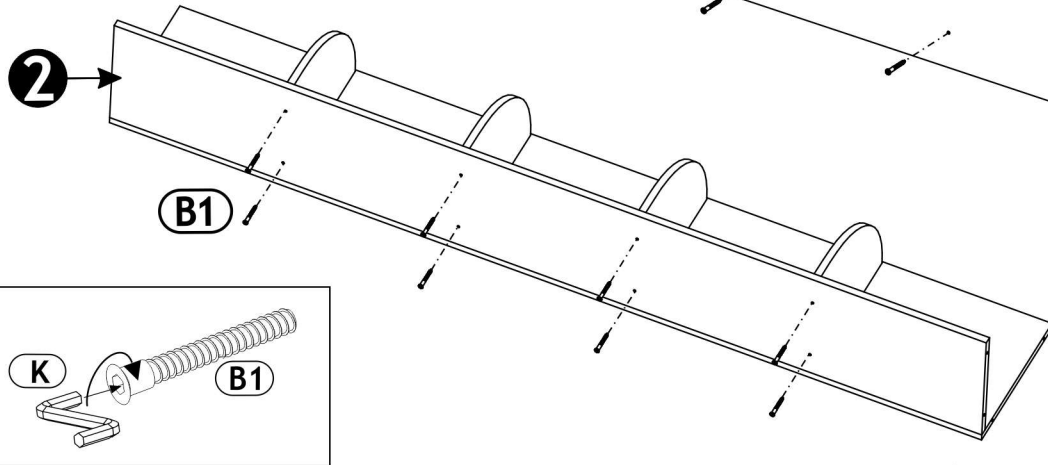
| | | | | | |
|----------|------|-----|----|----|-----|
| 1 | 320 | 370 | 16 | x2 | 1/1 |
| 2 | 2000 | 285 | 16 | x1 | 1/1 |
| 3 | 2000 | 350 | 16 | x1 | 1/1 |
| 4 | 280 | 330 | 16 | x4 | 1/1 |
| | | | | | 1/1 |



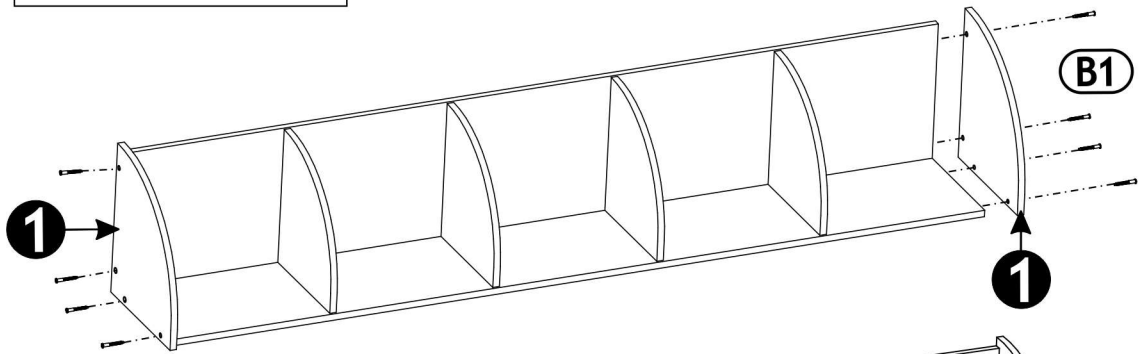
1 ▶



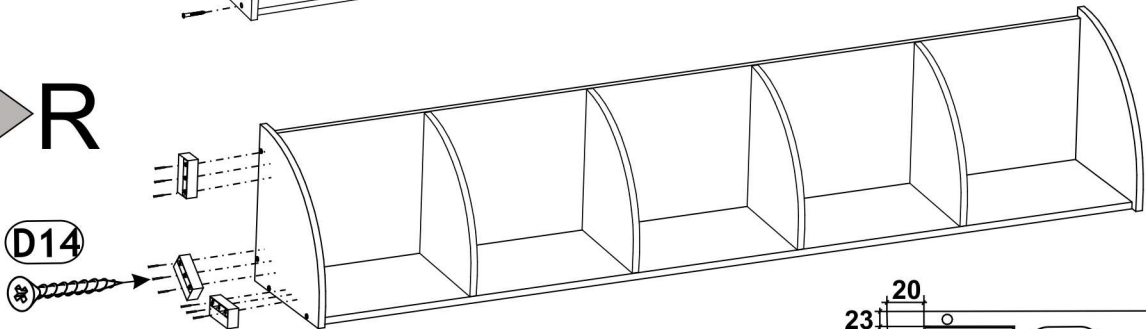
2 ▶



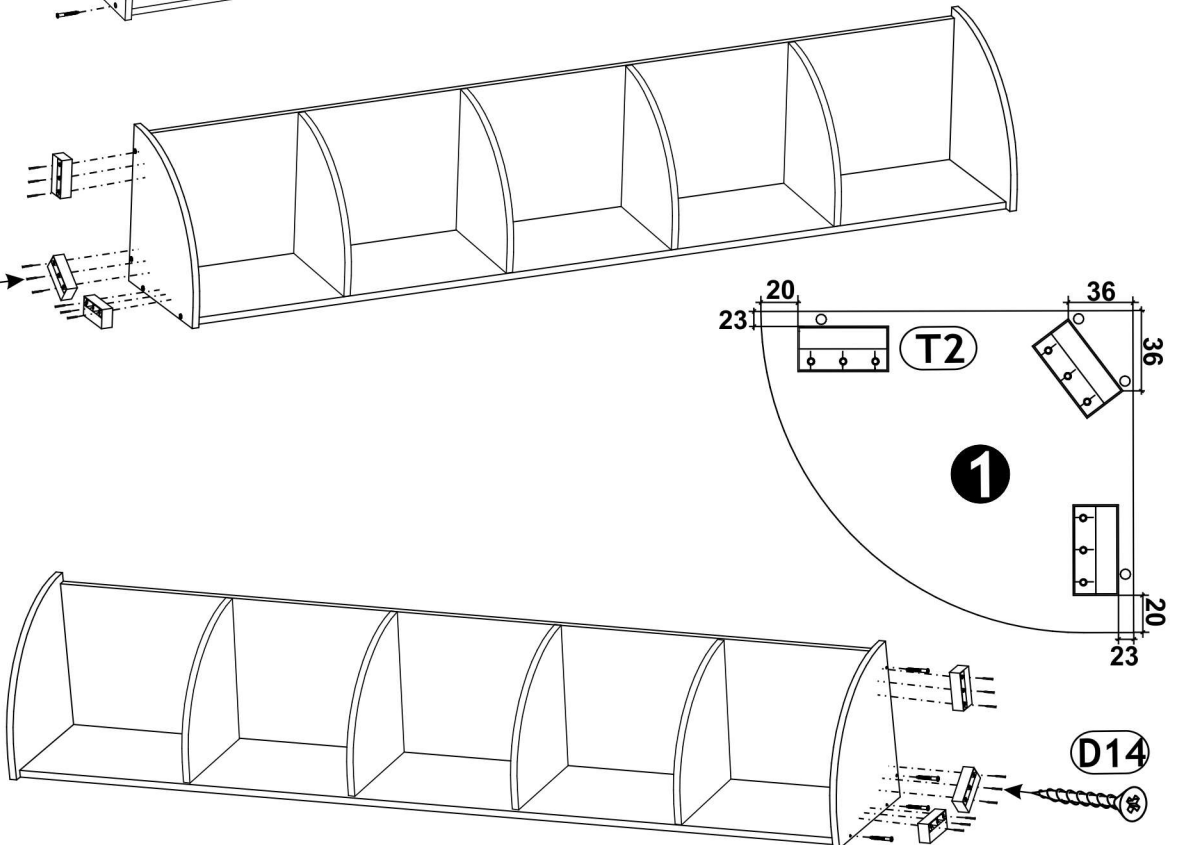
3 ▶



4 ▶ R



4 ▶ L



5 ▶

