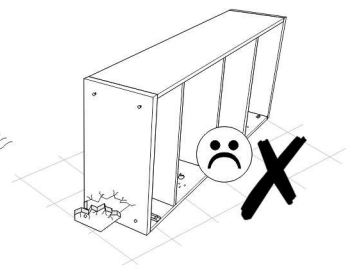
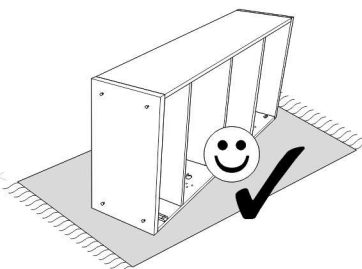
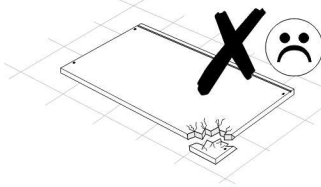
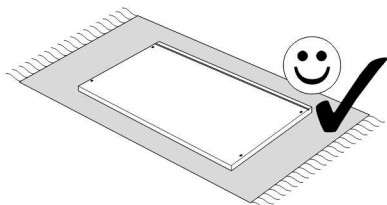
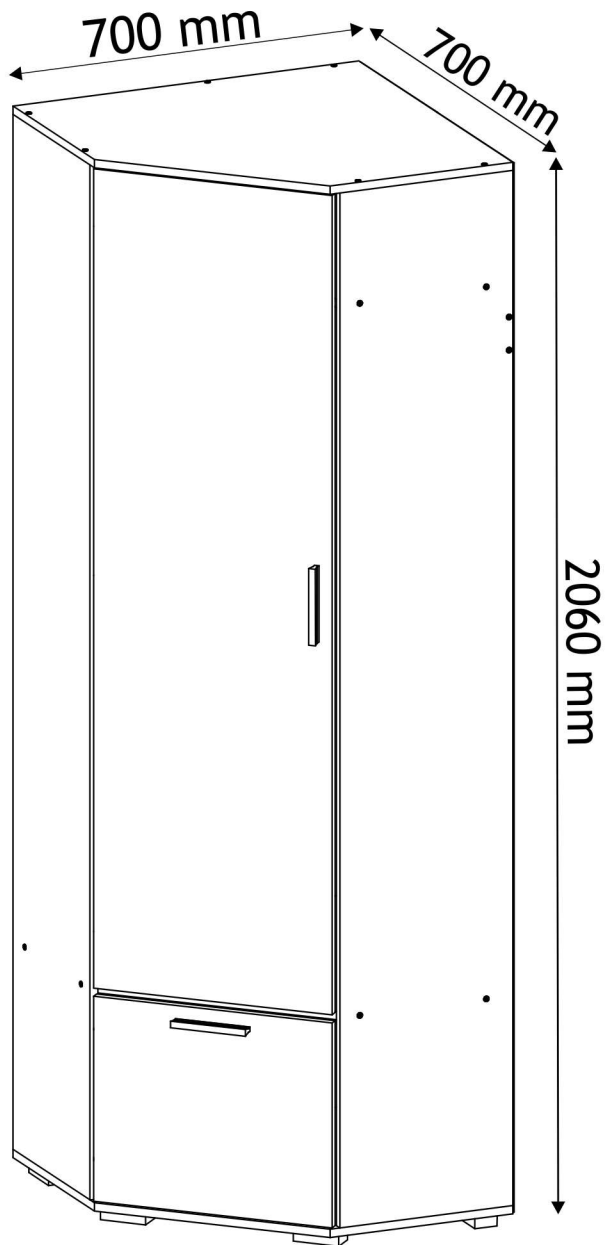






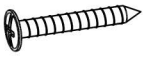

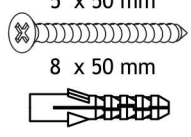
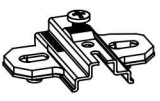
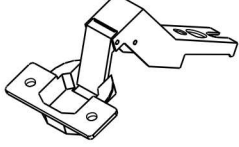
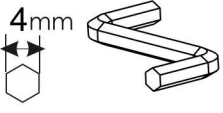

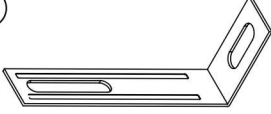
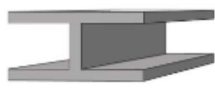
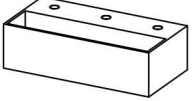
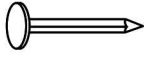


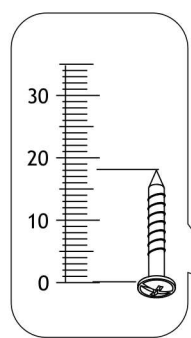
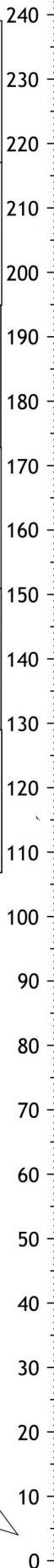
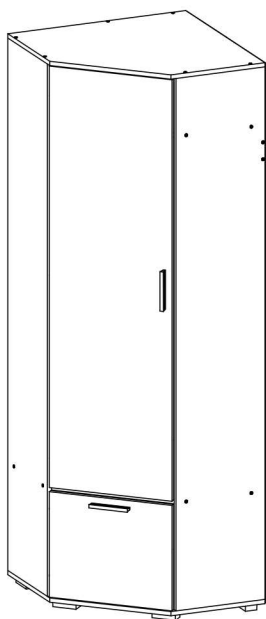


Ø5

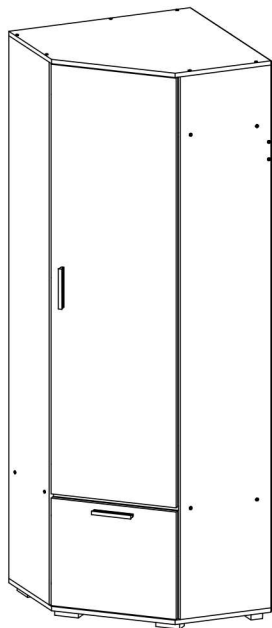


| | | |
|---|--|---|
| A0 8 x 32mm x10  | B0  x11 | B1 7 x 50 mm x30  |
| D0 3 x 15 mm x10  | D10 4 x 16 mm x10  | D14 4 x 35 mm x15  |
| D16 4,2 x 28 mm x4  | D31 6,3 x 13 mm x10  | E0 5 x 50 mm 8 x 50 mm x1  |
| J7  x5 | J12  x5 | K 4mm  x1 |
| L0 128 mm x2  | P0  x1 | R5  2000 mm x2 |
| T2  x5 | T8  x100 | S1  667 mm x1 |
| O2  x2 | | |




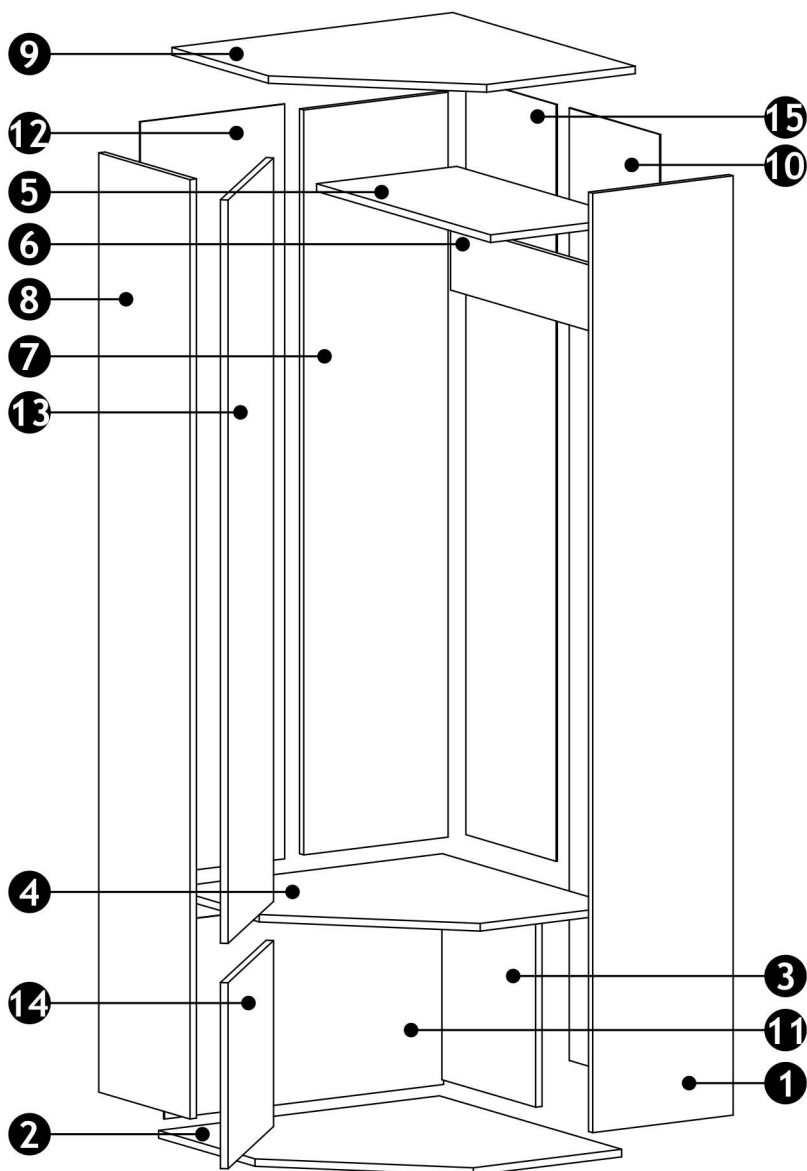


L

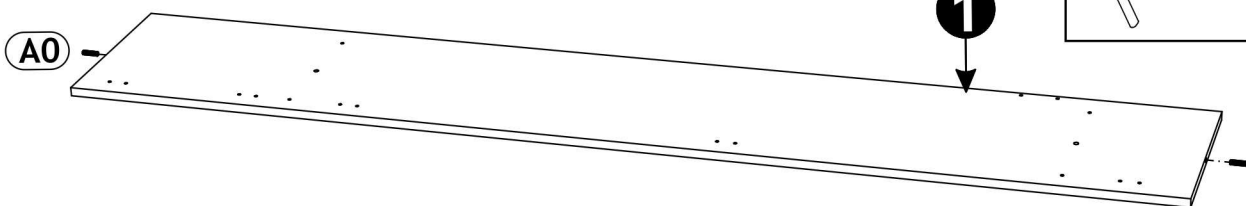


R

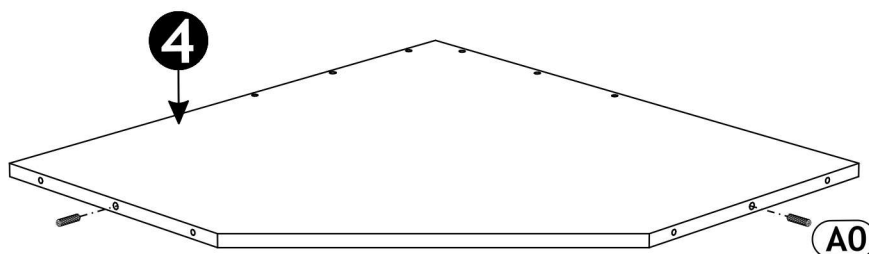
| | | | | | |
|---|------|------|-----|----|-----|
| 1 | 2000 | 350 | 16 | x1 | 1/2 |
| 2 | 700 | 700 | 16 | x1 | 2/2 |
| 3 | 398 | 360 | 16 | x1 | 1/2 |
| 4 | 684 | 684 | 16 | x1 | 2/2 |
| 5 | 668 | 350 | 16 | x1 | 2/2 |
| 6 | 668 | 140 | 16 | x1 | 2/2 |
| 7 | 1586 | 360 | 16 | x1 | 1/2 |
| 8 | 2000 | 350 | 16 | x1 | 1/2 |
| 9 | 700 | 700 | 16 | x1 | 2/2 |
| 10 | 2028 | 347 | 2,5 | x1 | 1/2 |
| 11 | 419 | 696 | 2,5 | x1 | 1/2 |
| 12 | 1607 | 360 | 2,5 | x1 | 1/2 |
| 13 | 472 | 1583 | 16 | x1 | 1/2 |
| 14 | 472 | 396 | 16 | x1 | 1/2 |
| 15 | 1611 | 347 | 2,5 | x1 | 1/2 |
|  | | | | | 1/1 |



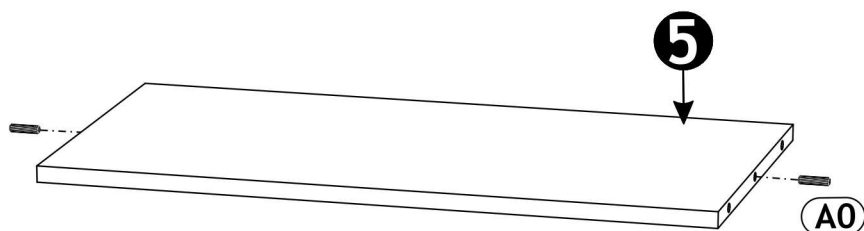
1 ▶



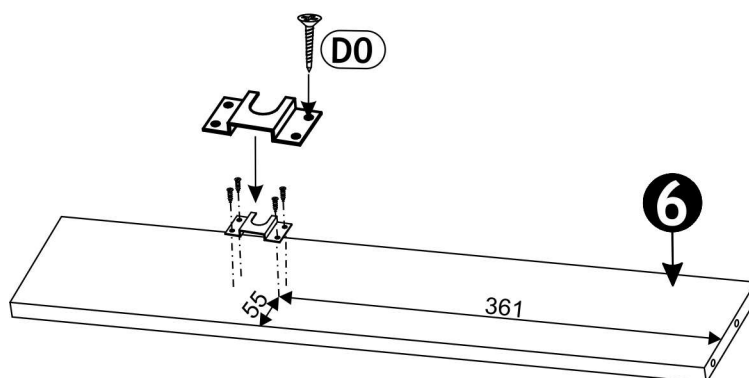
2 ▶



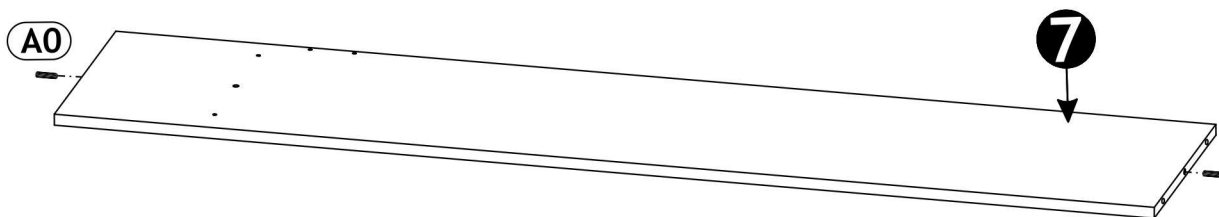
3 ▶



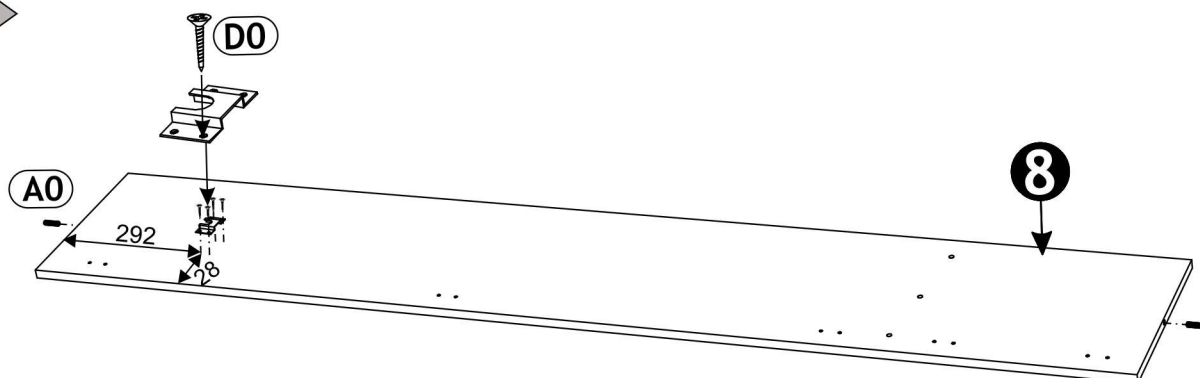
4 ▶



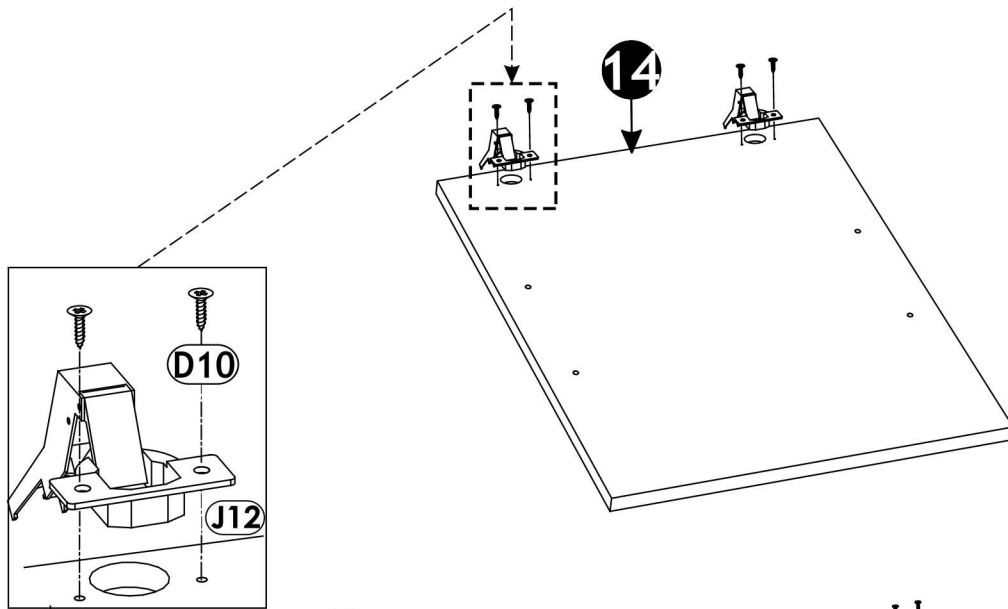
5 ▶



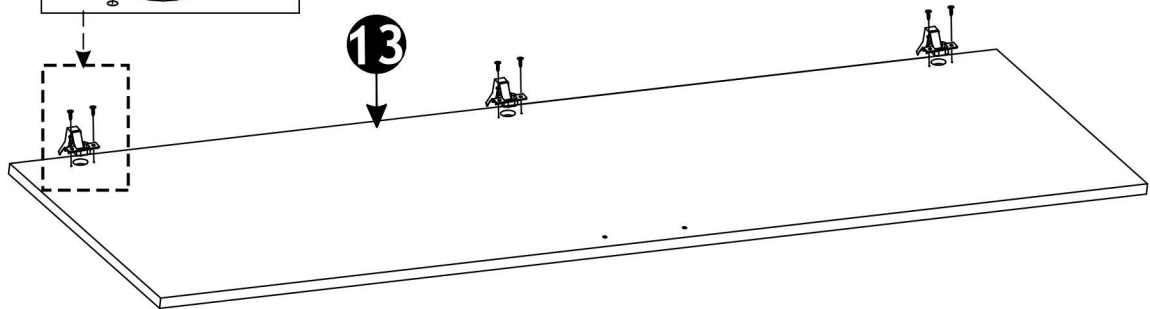
6 ▶



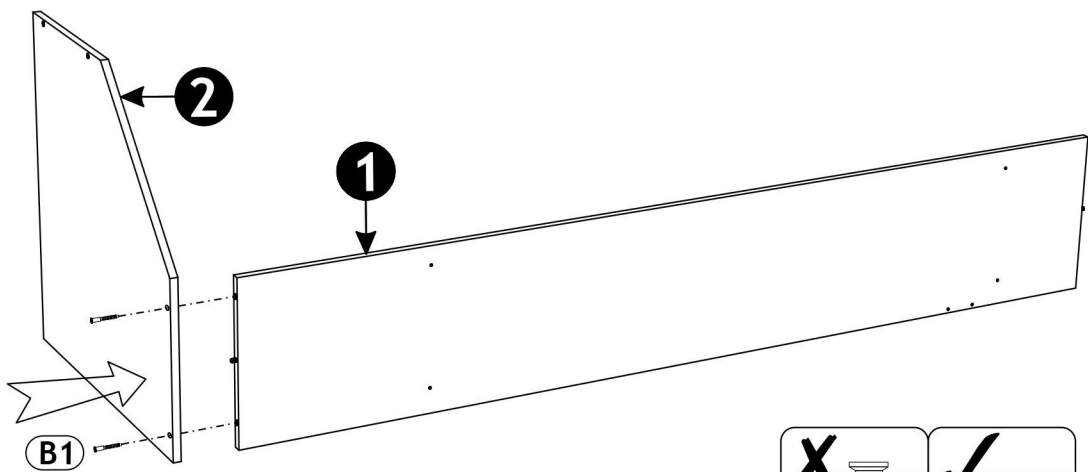
7 ▶



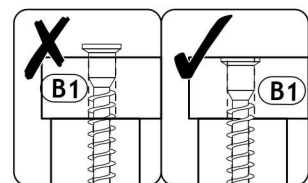
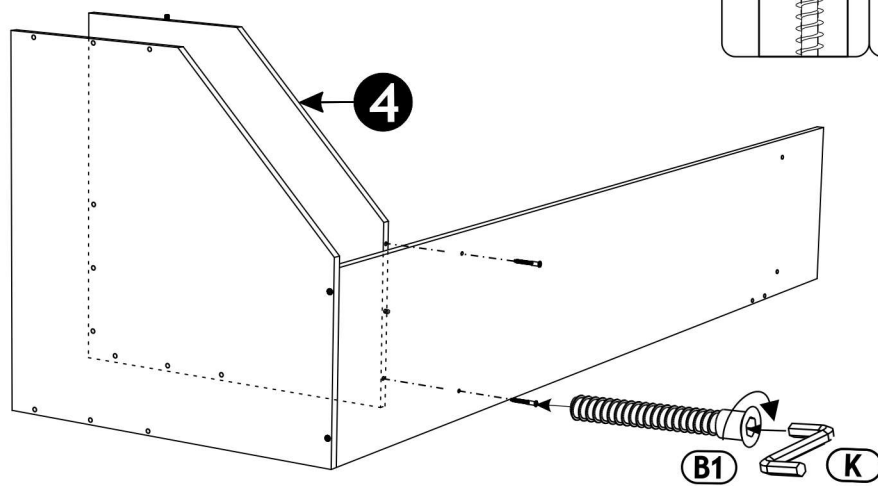
8 ▶



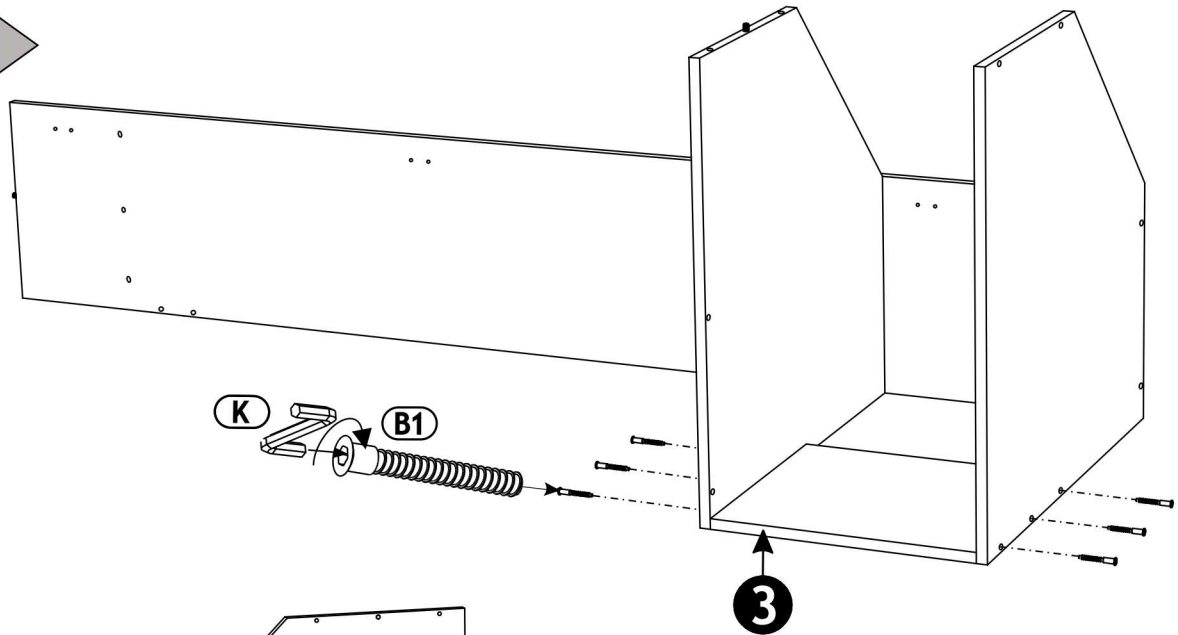
9 ▶



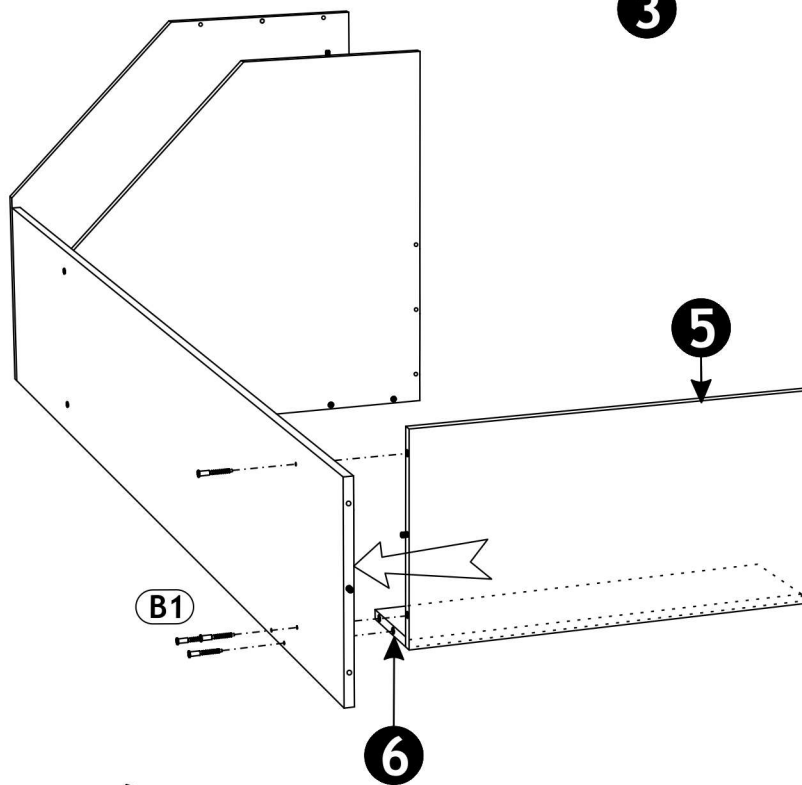
10 ▶



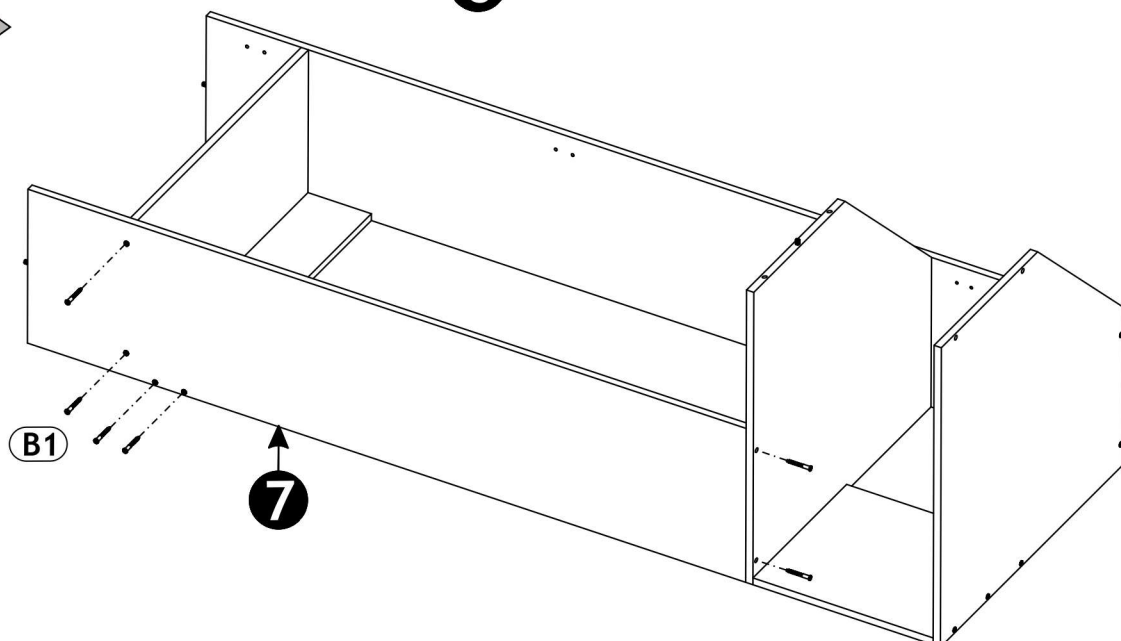
11 ▶



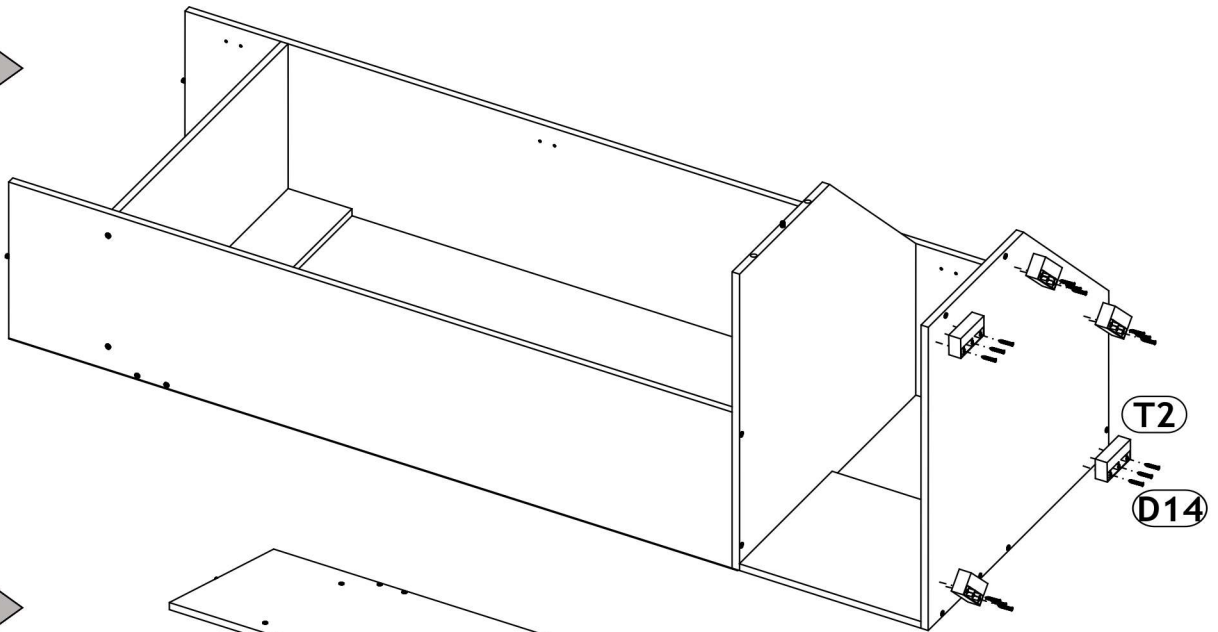
12 ▶



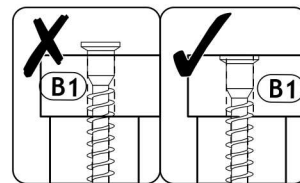
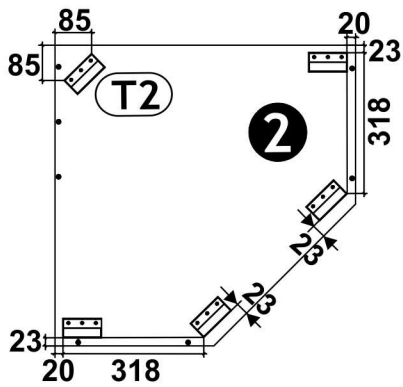
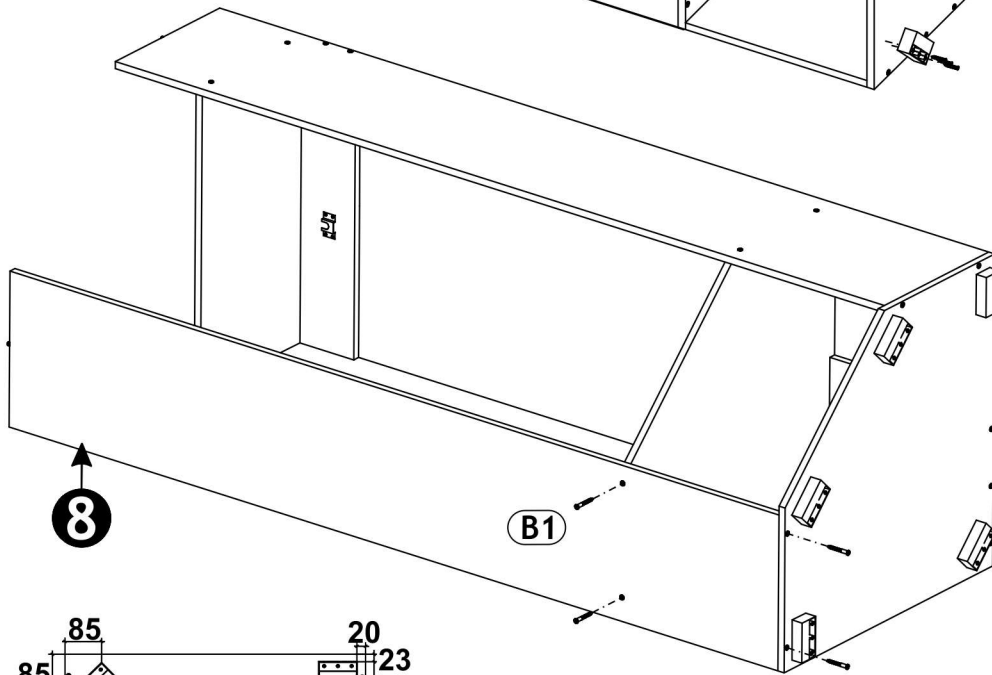
13 ▶



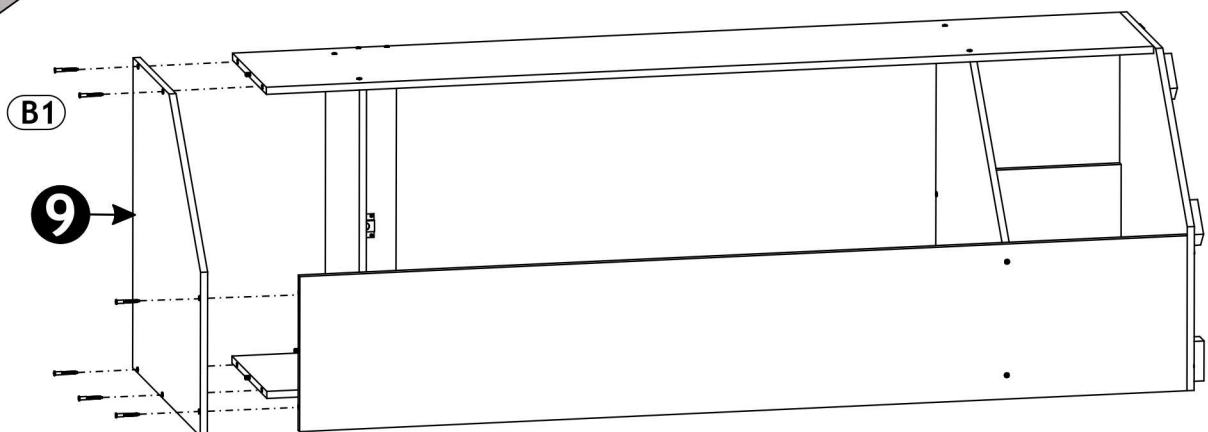
14 ▶



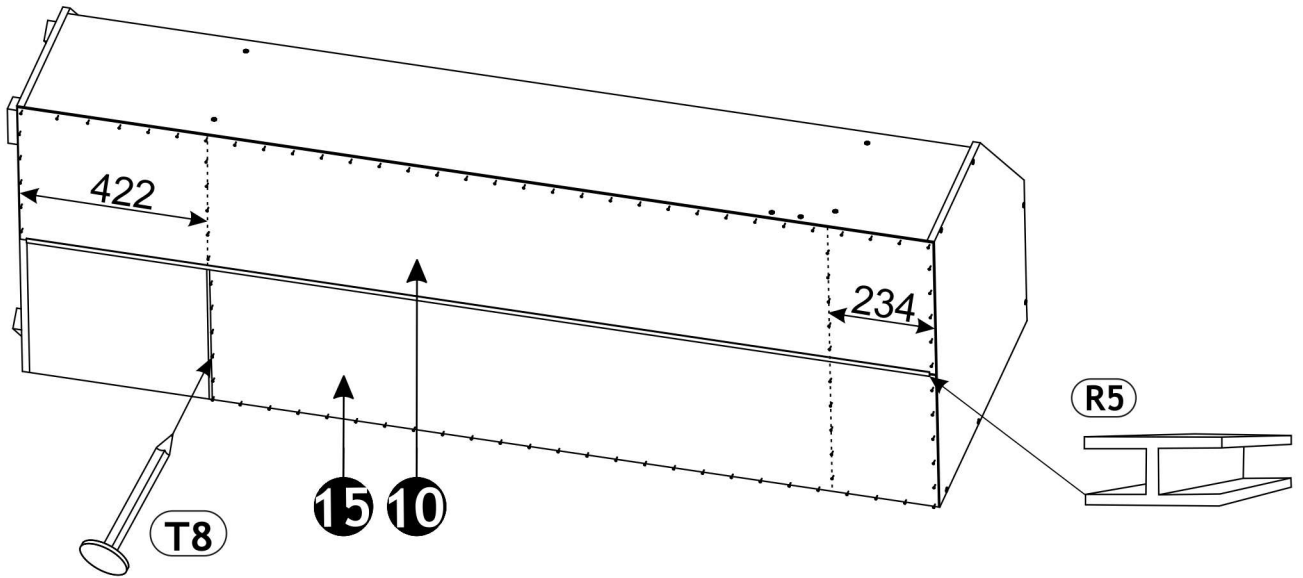
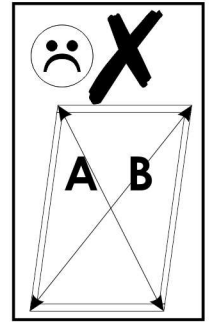
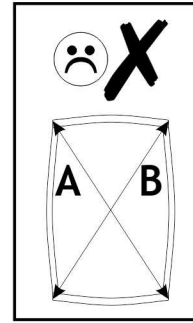
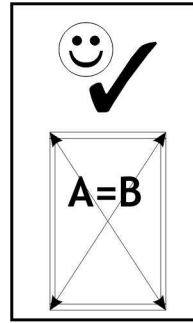
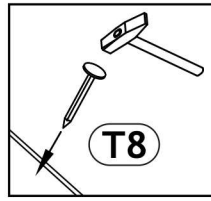
15 ▶



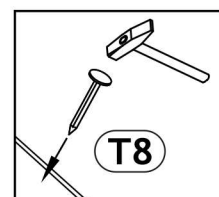
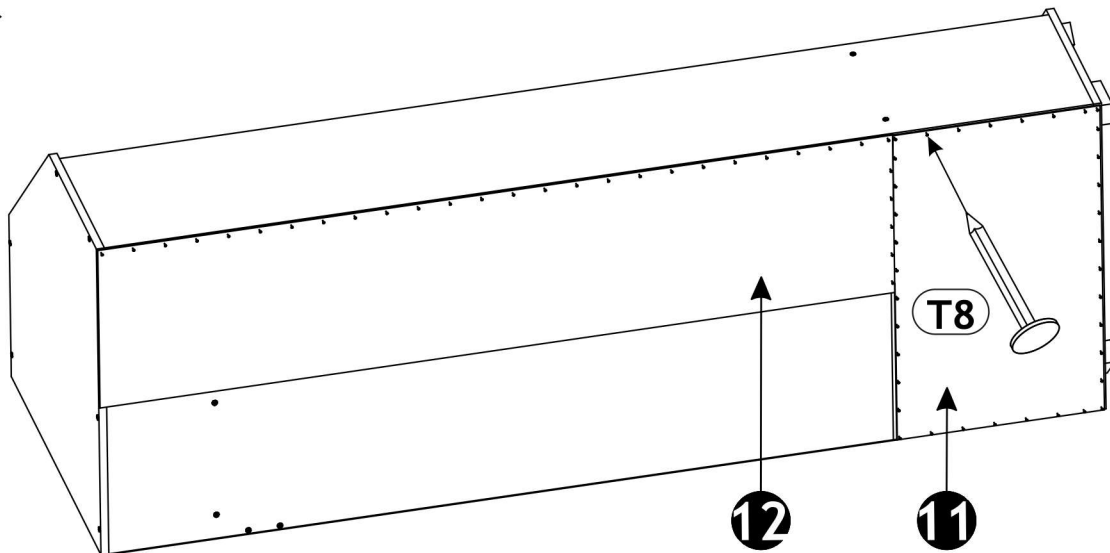
16 ▶



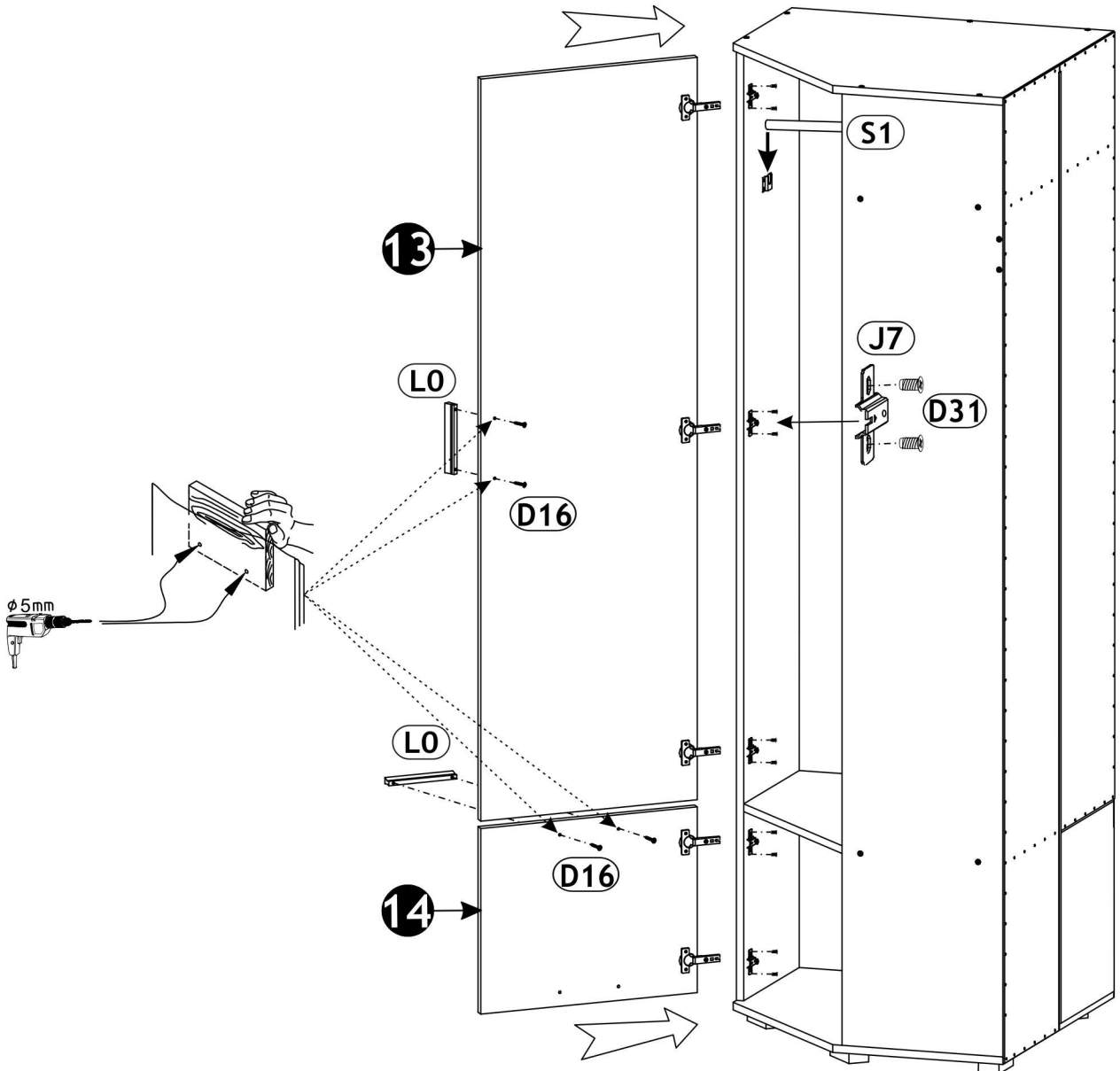
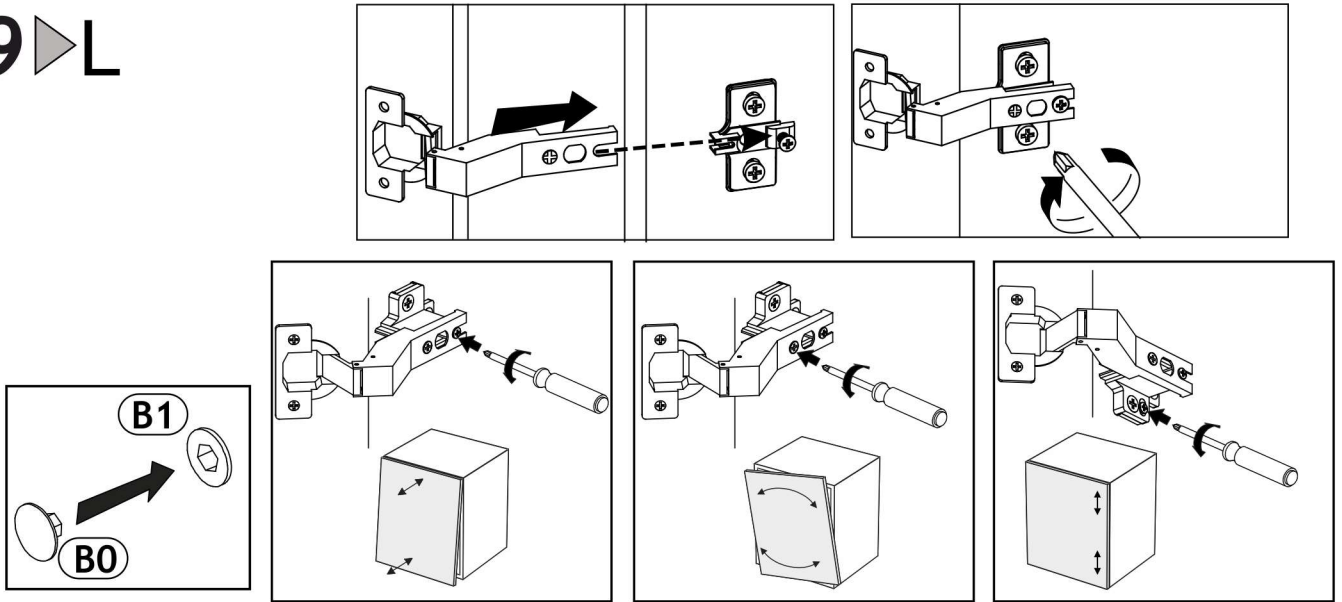
17 ▶



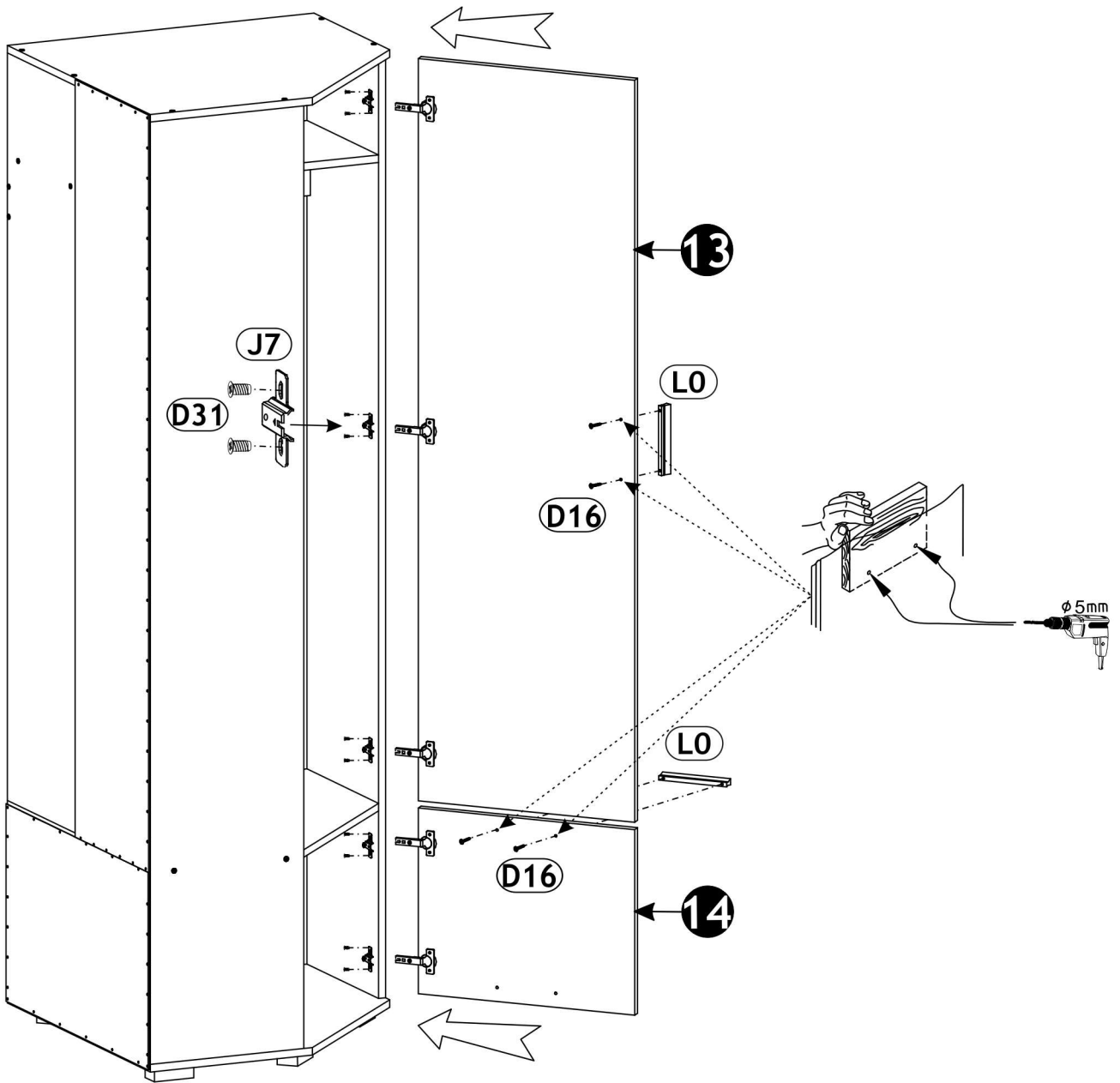
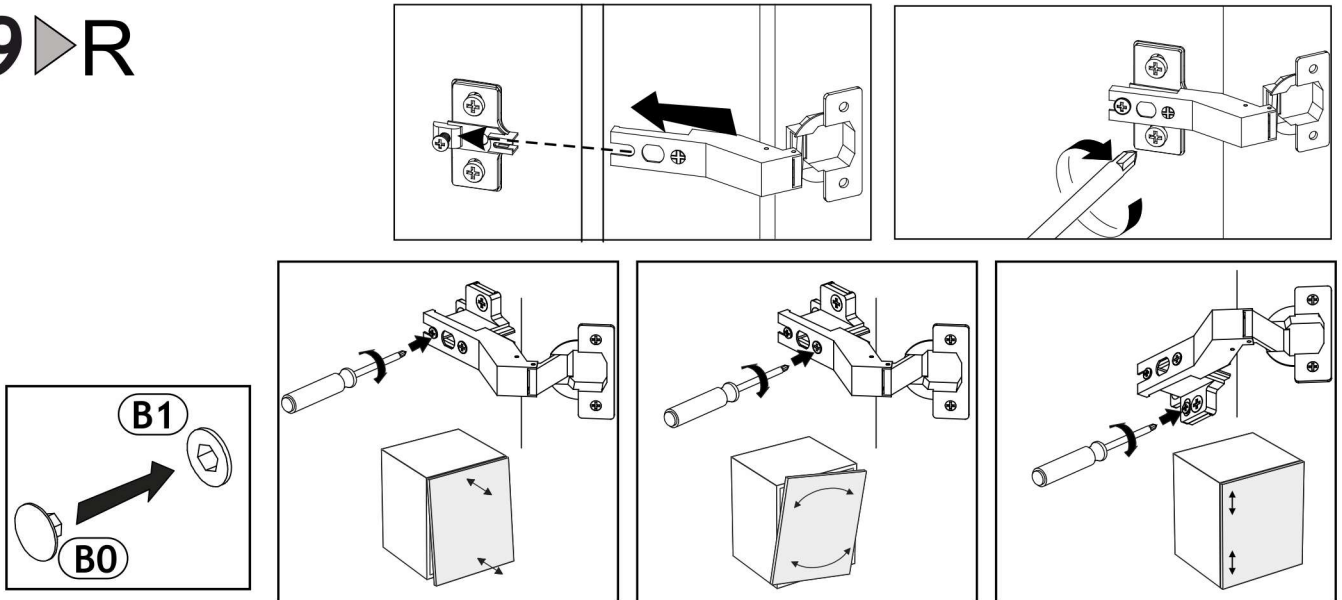
18 ▶



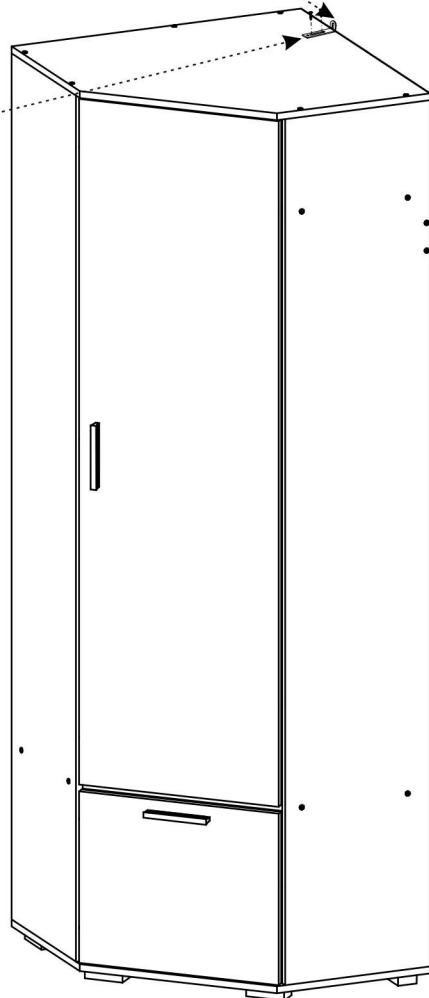
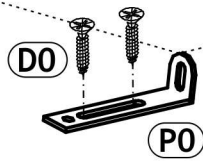
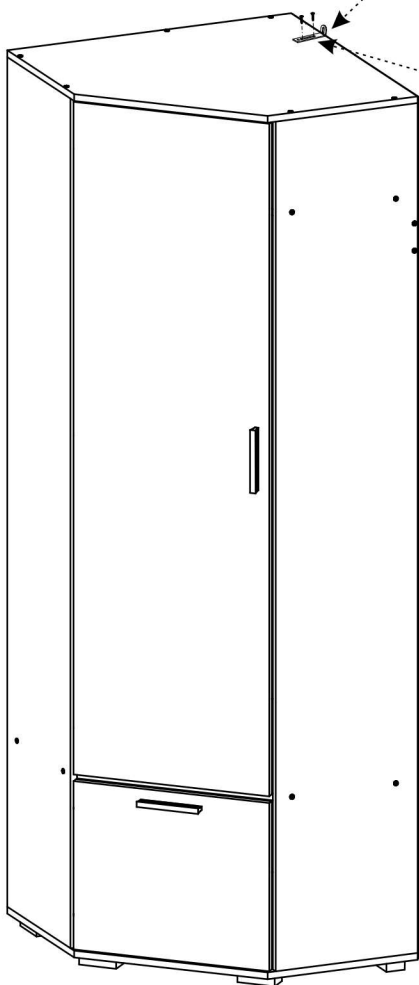
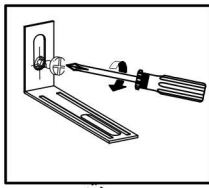
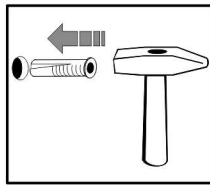
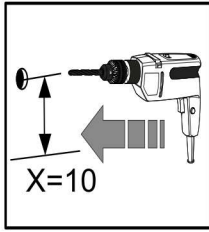
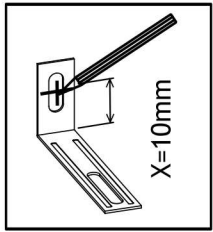
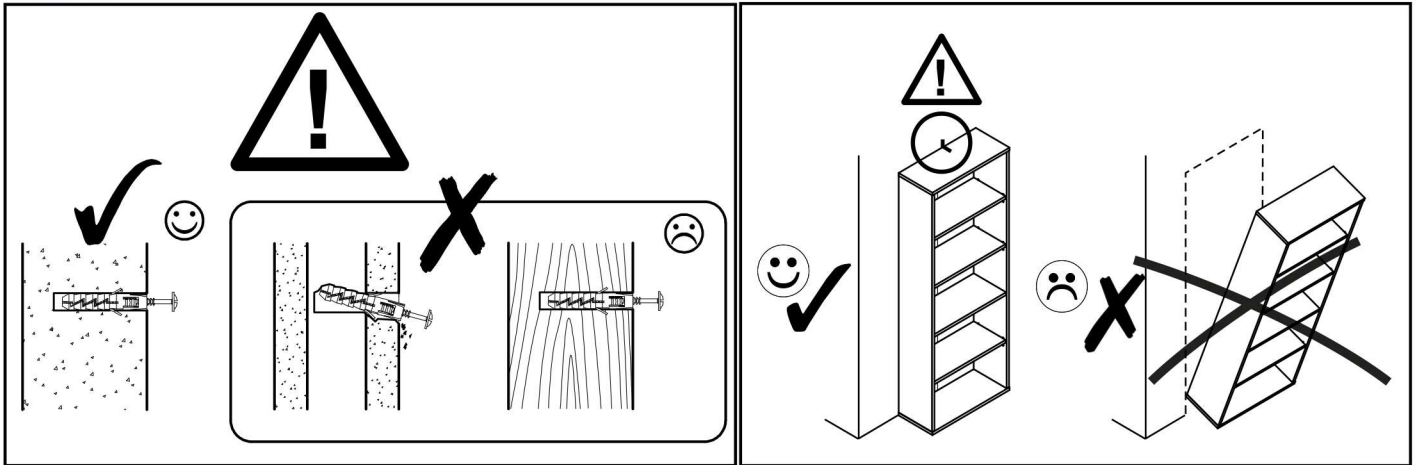
19 ▶ L



19 ▶ R



20 ▶



21 ▶

