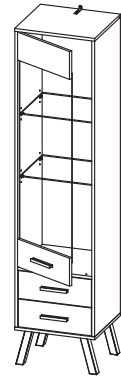
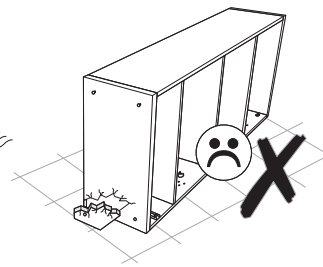
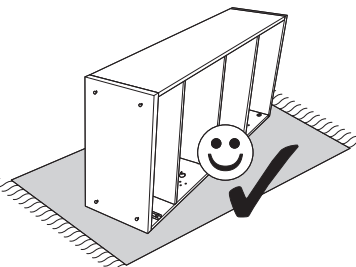
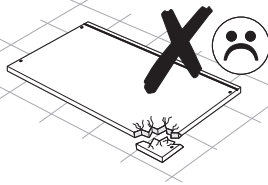
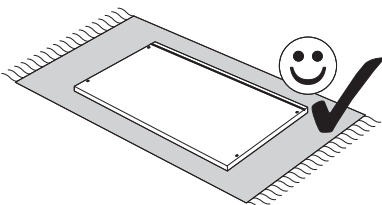
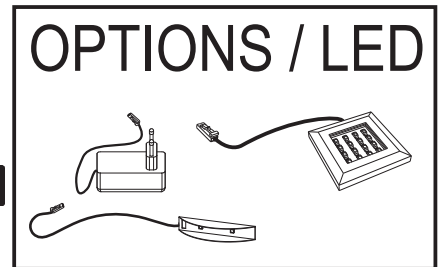
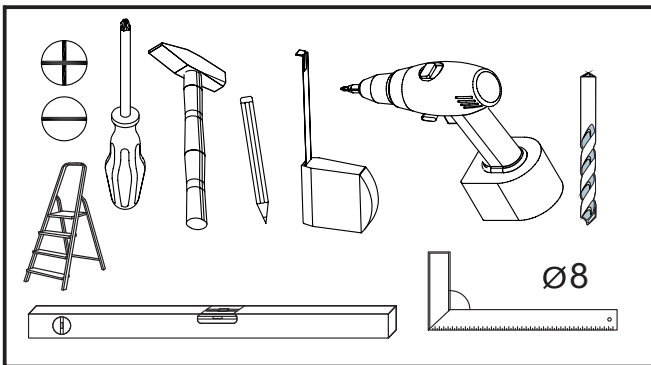










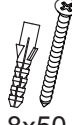









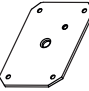



L


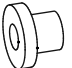



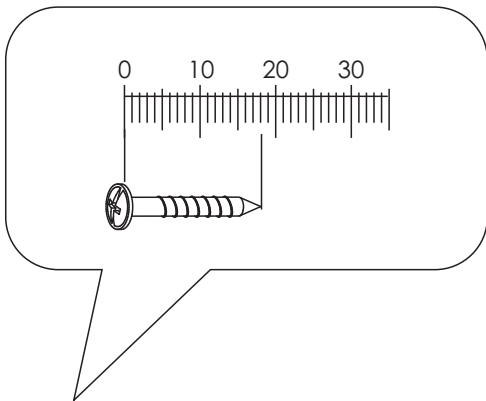
R

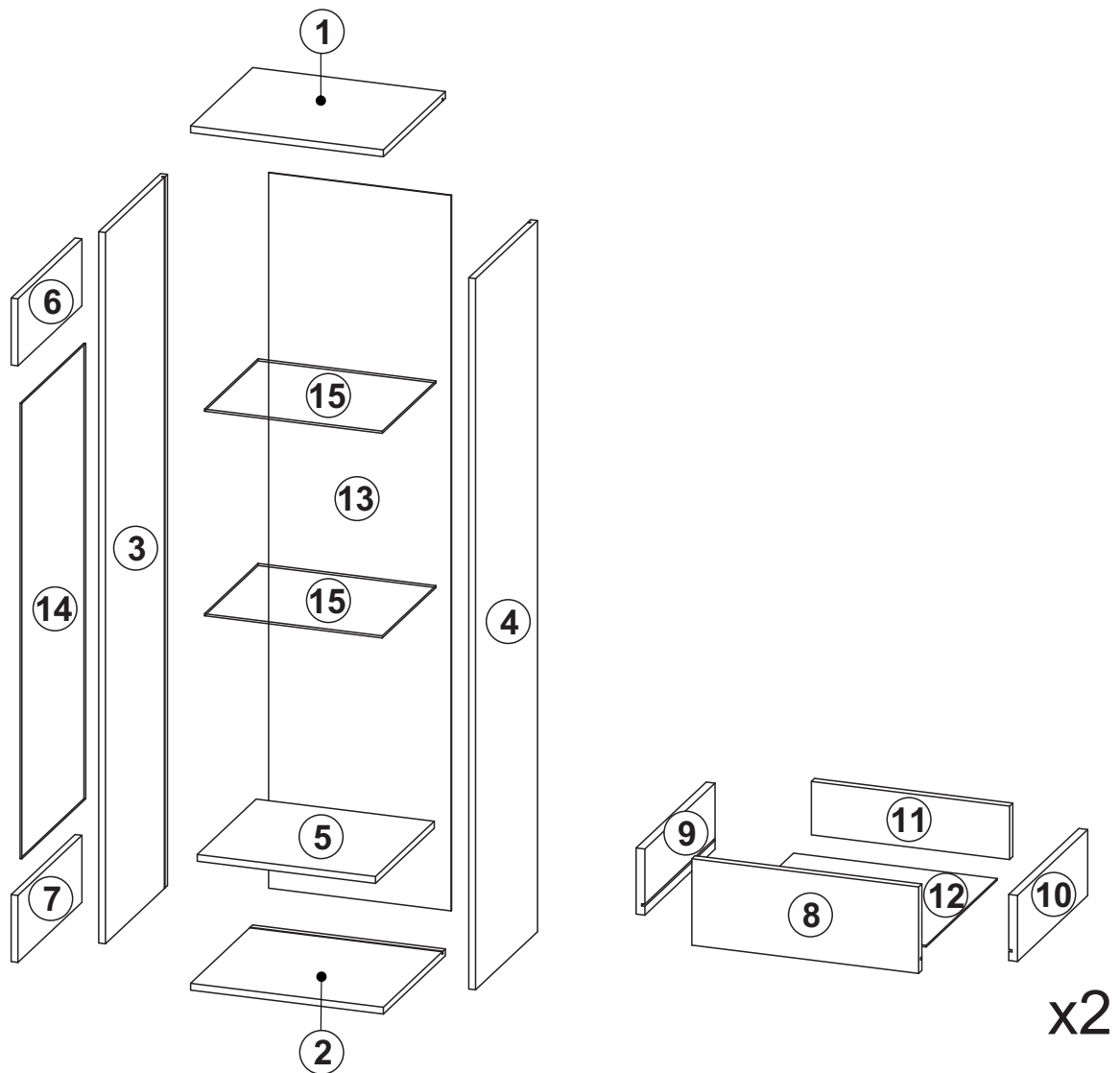


A0	B1	C0	C2	C7	D0	D4	D5	D16	D21	E0
										
Ø8x30	Ø7x50			16mm	3x15	3.5x18	3.5x16	4,2x28	5x13	8x50
x20	x16	x12	x16	x16	x26	x10	x24	x6	x29	x1


J4	J6	K	L40	M1	N7	P0	P34	Q1	Q4	T18
										
	H=2	4mm			L-350					
x2	x2	x1	x3	x26	x2	x1	x4	x8	x2	x10

T23	U1	U2
		
x4	x8	x4

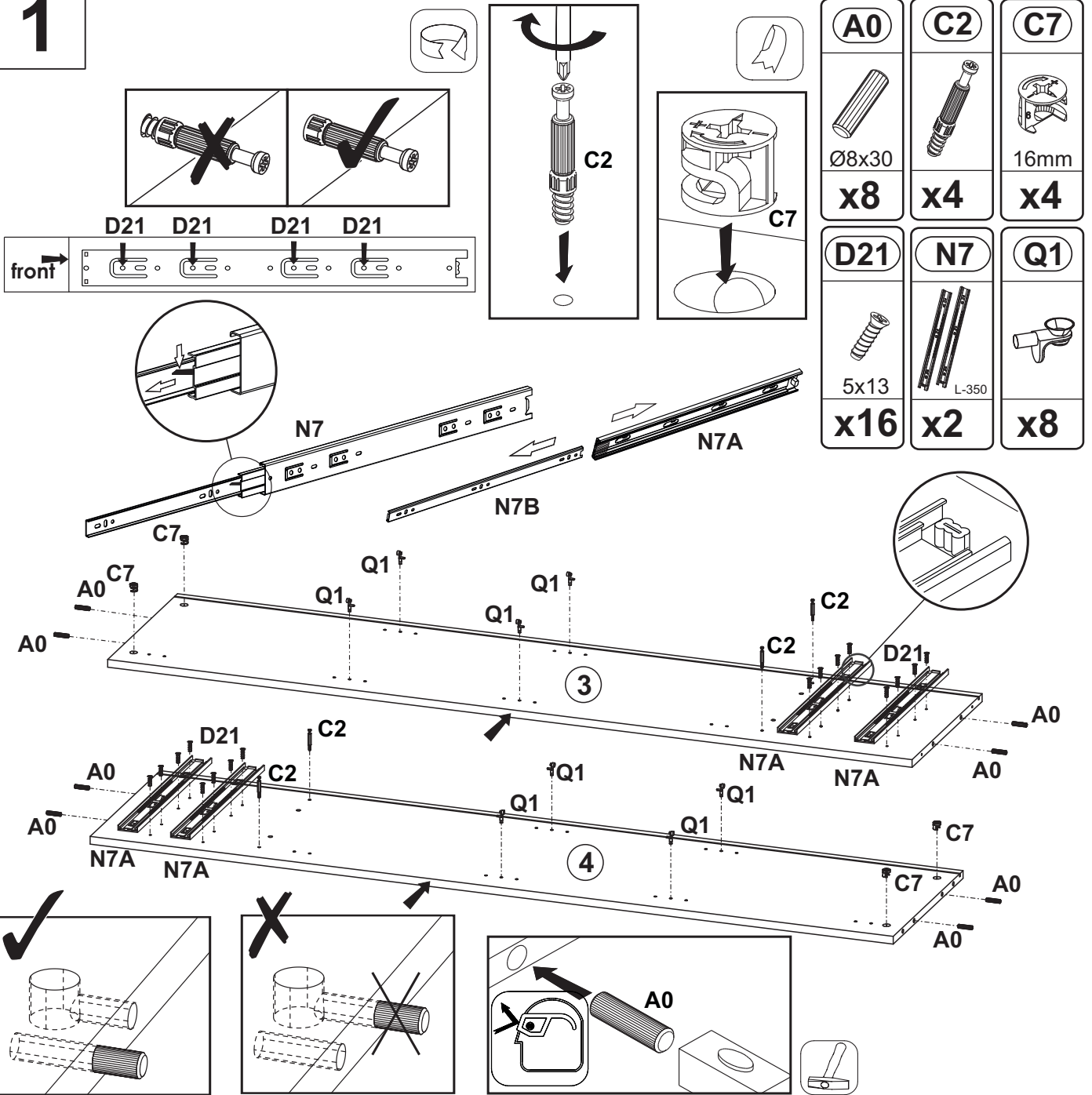




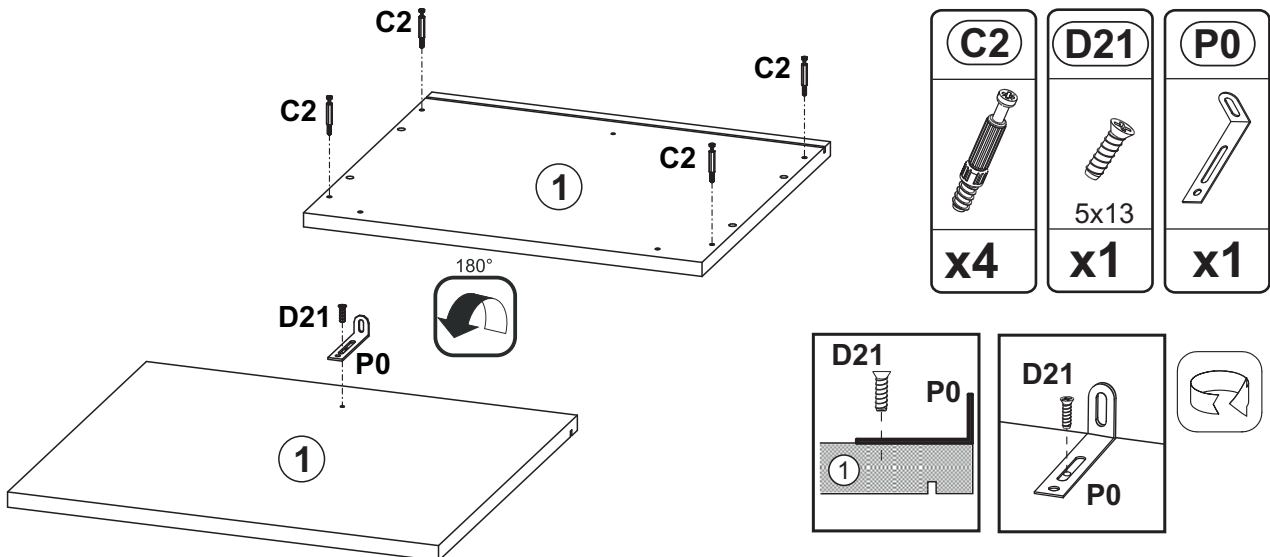
①	452	400	16 x1	1/1
②	452	400	16 x1	1/1
③	1668	399	16 x1	1/1
④	1668	399	16 x1	1/1
⑤	418	379	16 x1	1/1
⑥	412	157	16 x1	1/1
⑦	412	157	16 x1	1/1
⑧	412	157	16 x2	1/1

⑨	350	120	16 x2	1/1
⑩	350	120	16 x2	1/1
⑪	360	97	16 x2	1/1
⑫	370	355	2.8 x2	1/1
⑬	1678	428	2.8 x1	1/1
⑭	1070	412	4 x1	1/1
⑮	417	345	5 x2	1/1
				1/1

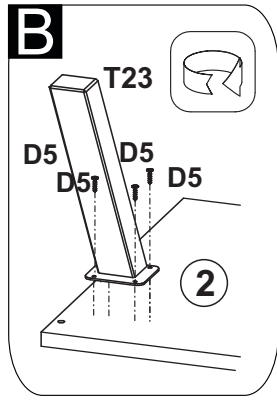
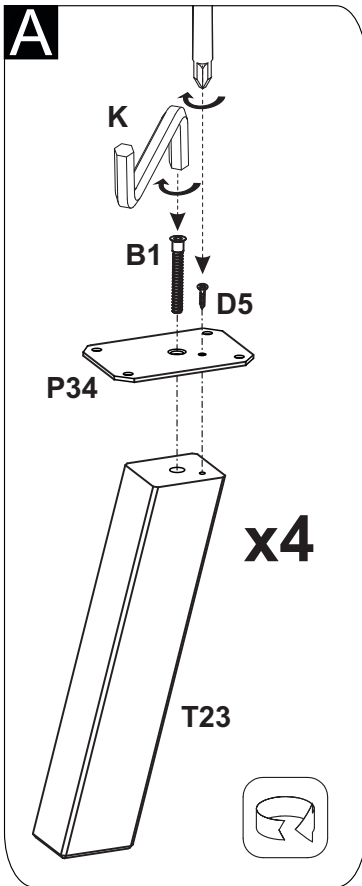
1



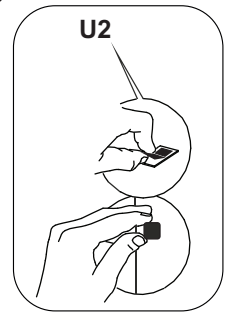
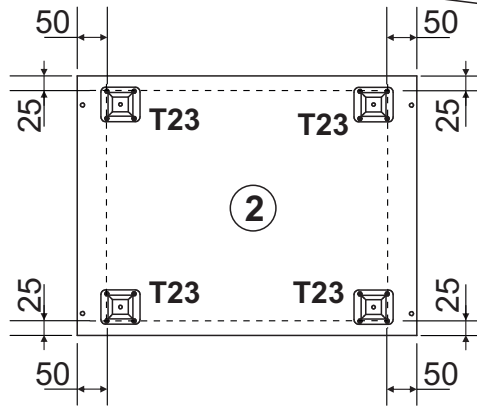
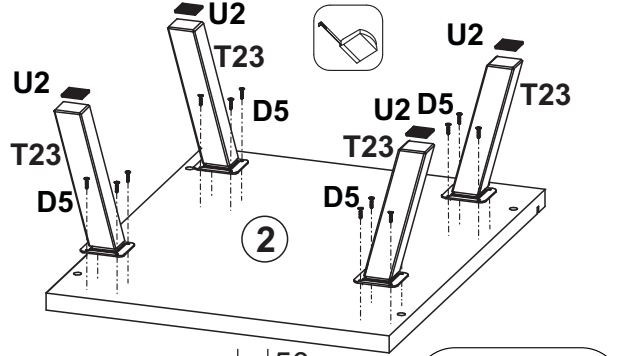
2



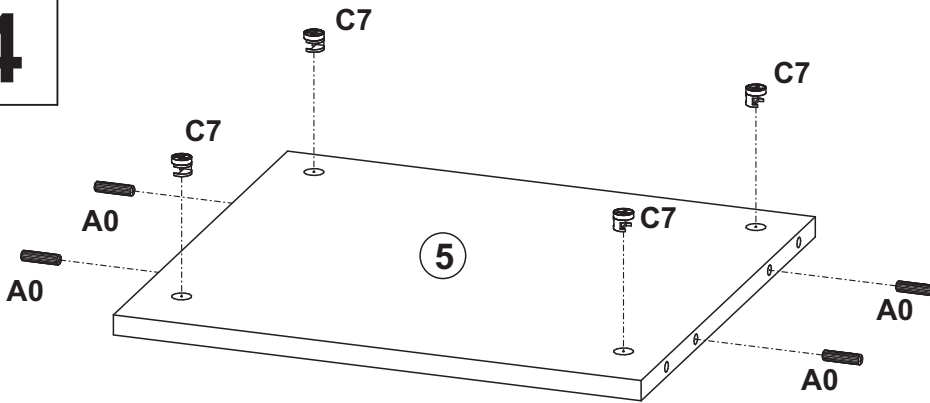
3



B1	D5	K	P34	T23	U2
Ø7x50	3,5x16	4mm			
x4	x20	x1	x4	x4	x4

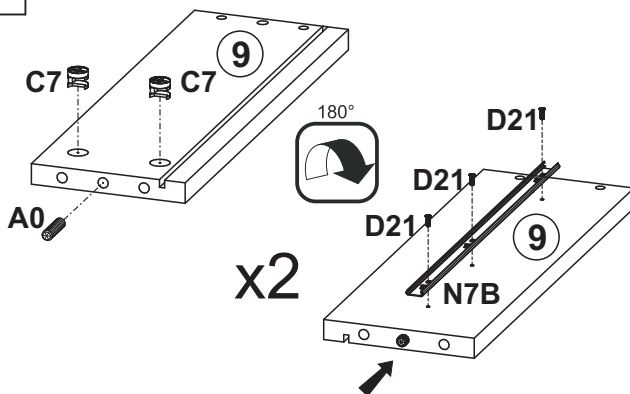


4

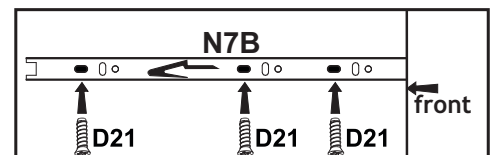


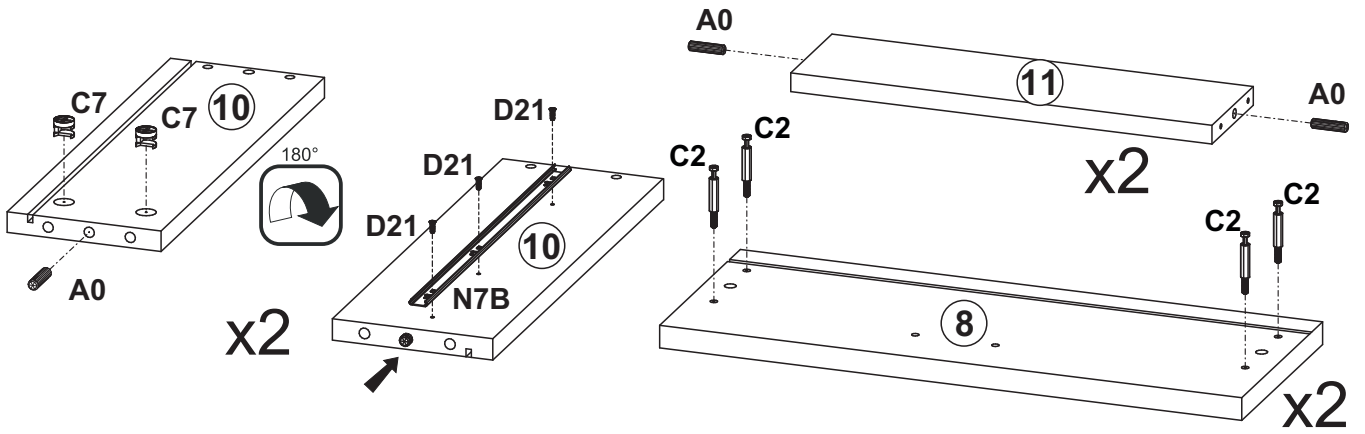
A0	C7
Ø8x30	16mm
x4	x4

5

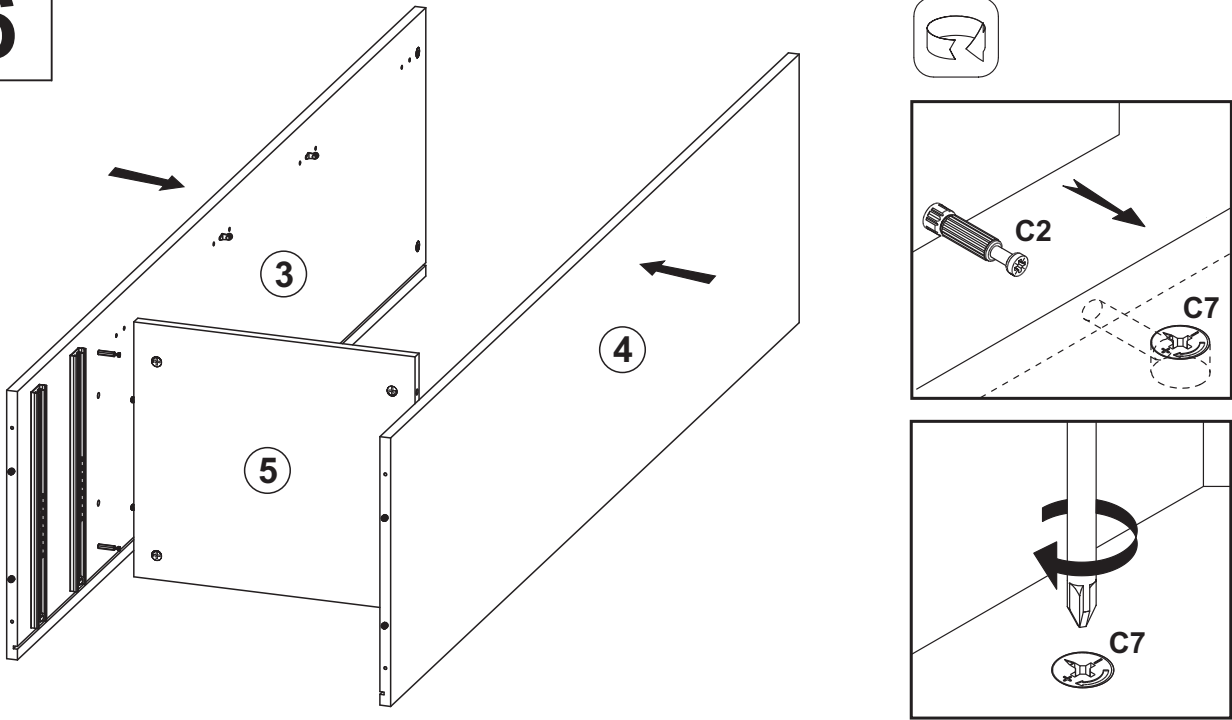


A0	C2	C7	D21	N7B
Ø8x30		16mm	5x13	
x8	x8	x8	x12	x2

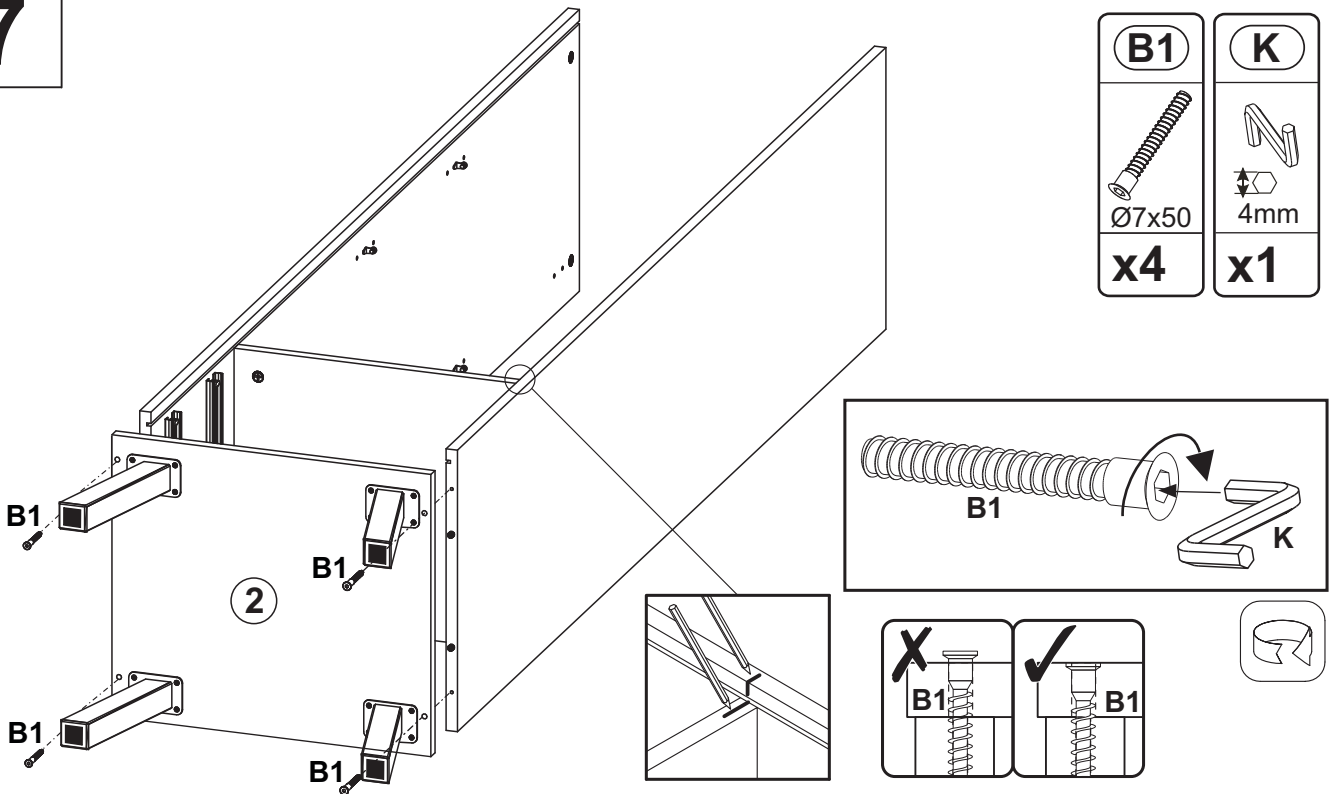




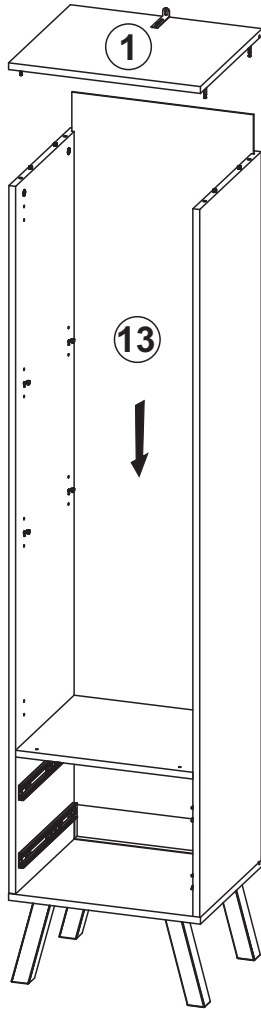
6



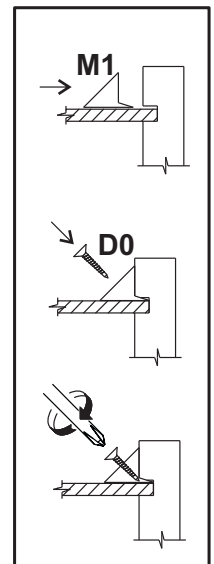
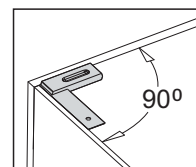
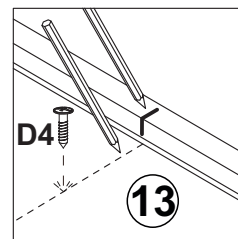
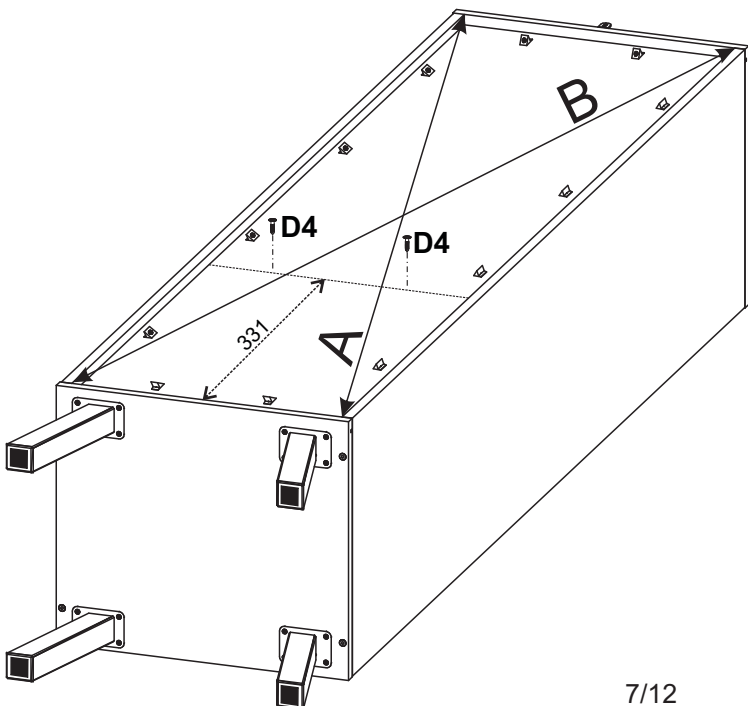
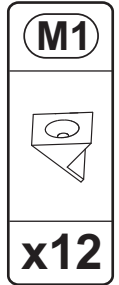
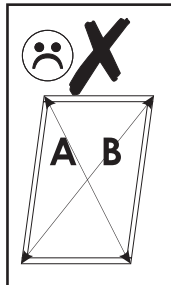
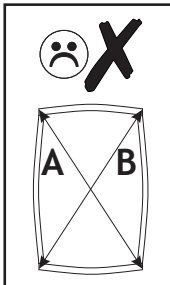
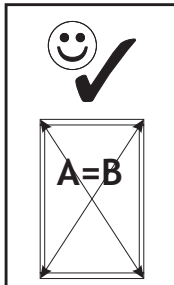
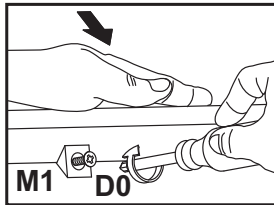
7



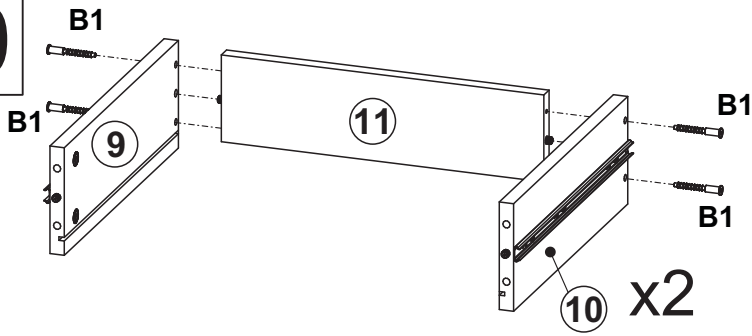
8



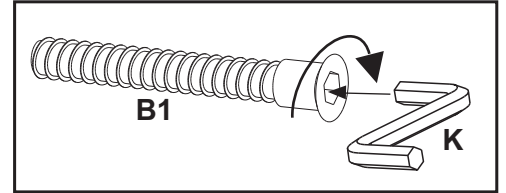
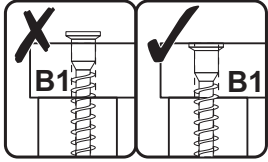
9



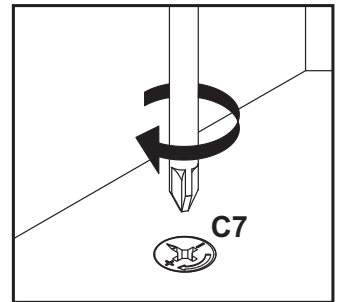
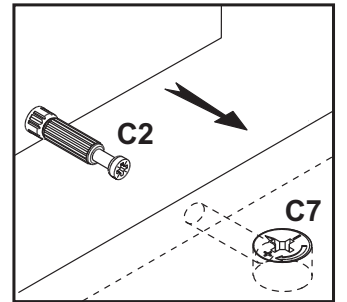
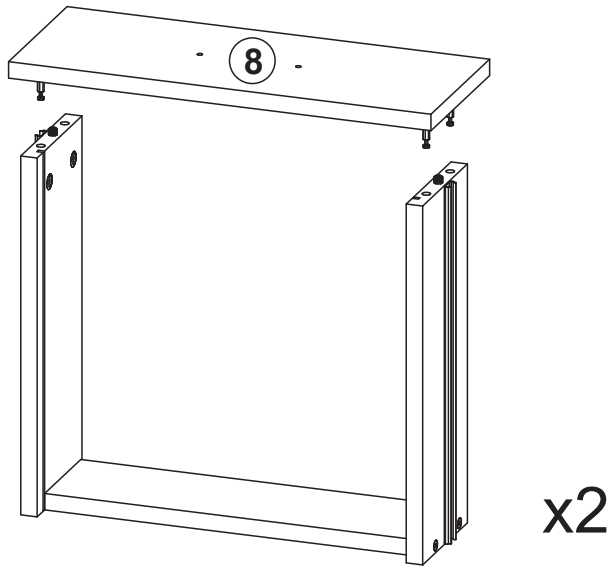
10



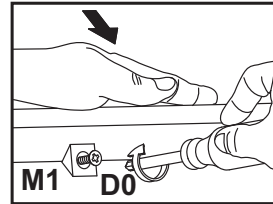
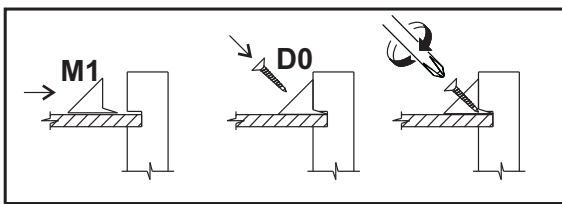
B1	K
Ø7x50	4mm
x8	x1



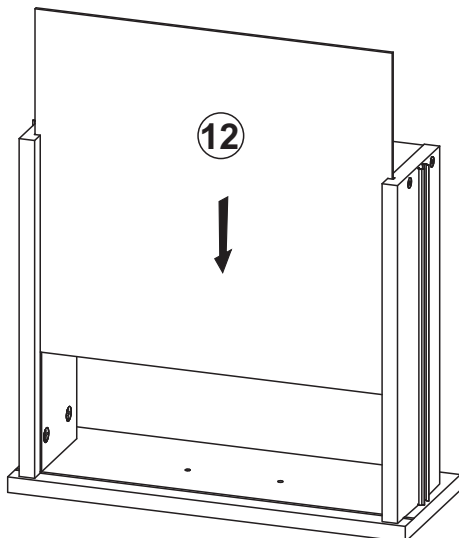
11



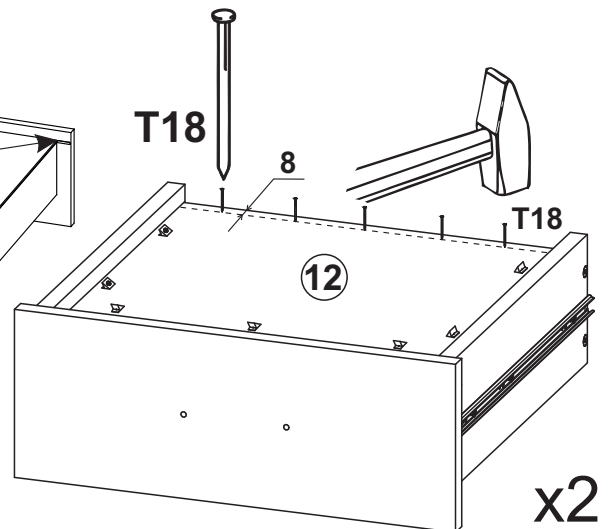
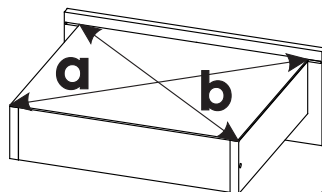
12



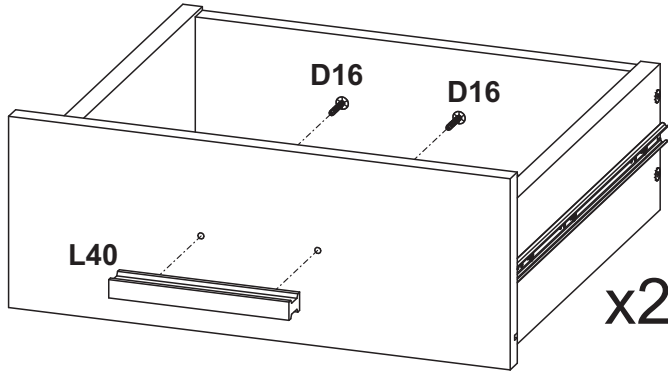
D0	M1	T18
3x15		
x14	x14	x10



a=b

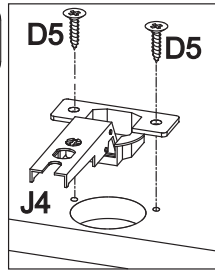


13

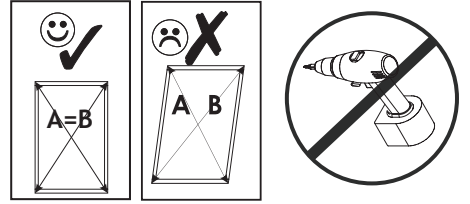
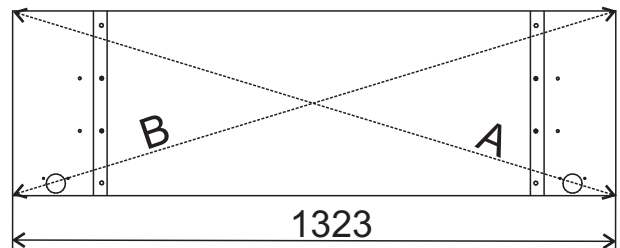
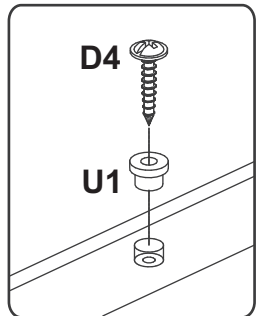
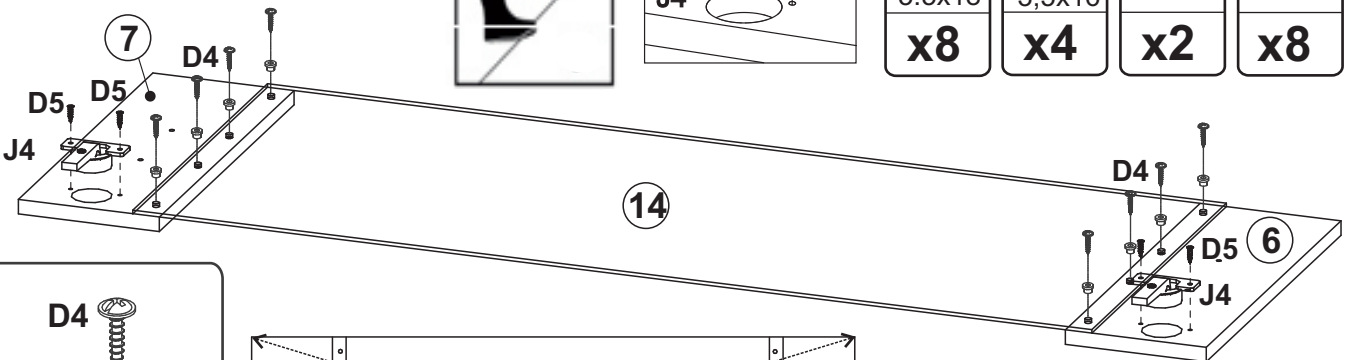


D16	L40
4,2x28	
x4	x2

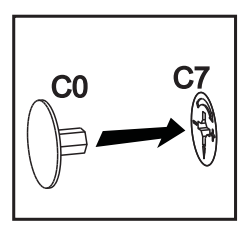
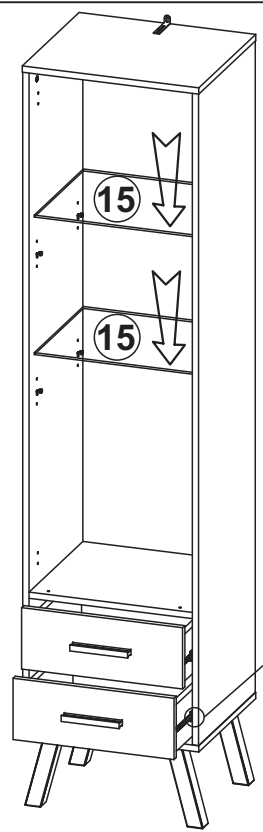
14



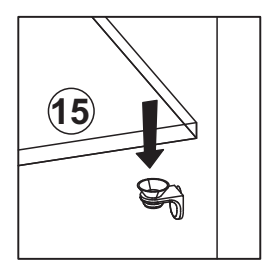
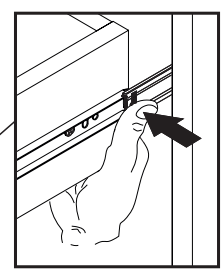
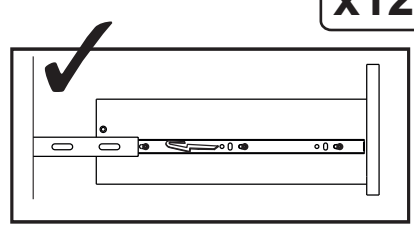
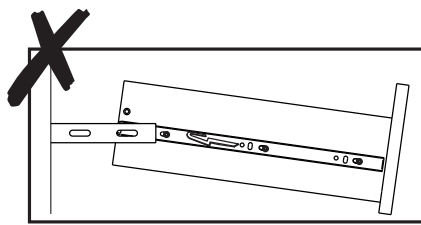
D4	D5	J4	U1
3.5x18	3,5x16		
x8	x4	x2	x8







15

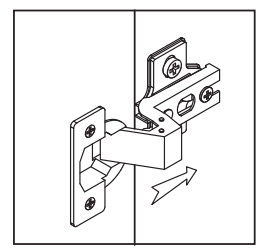
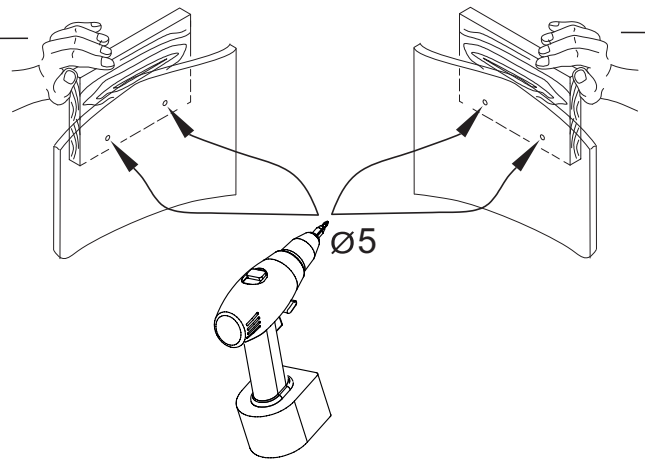
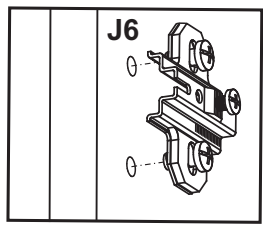
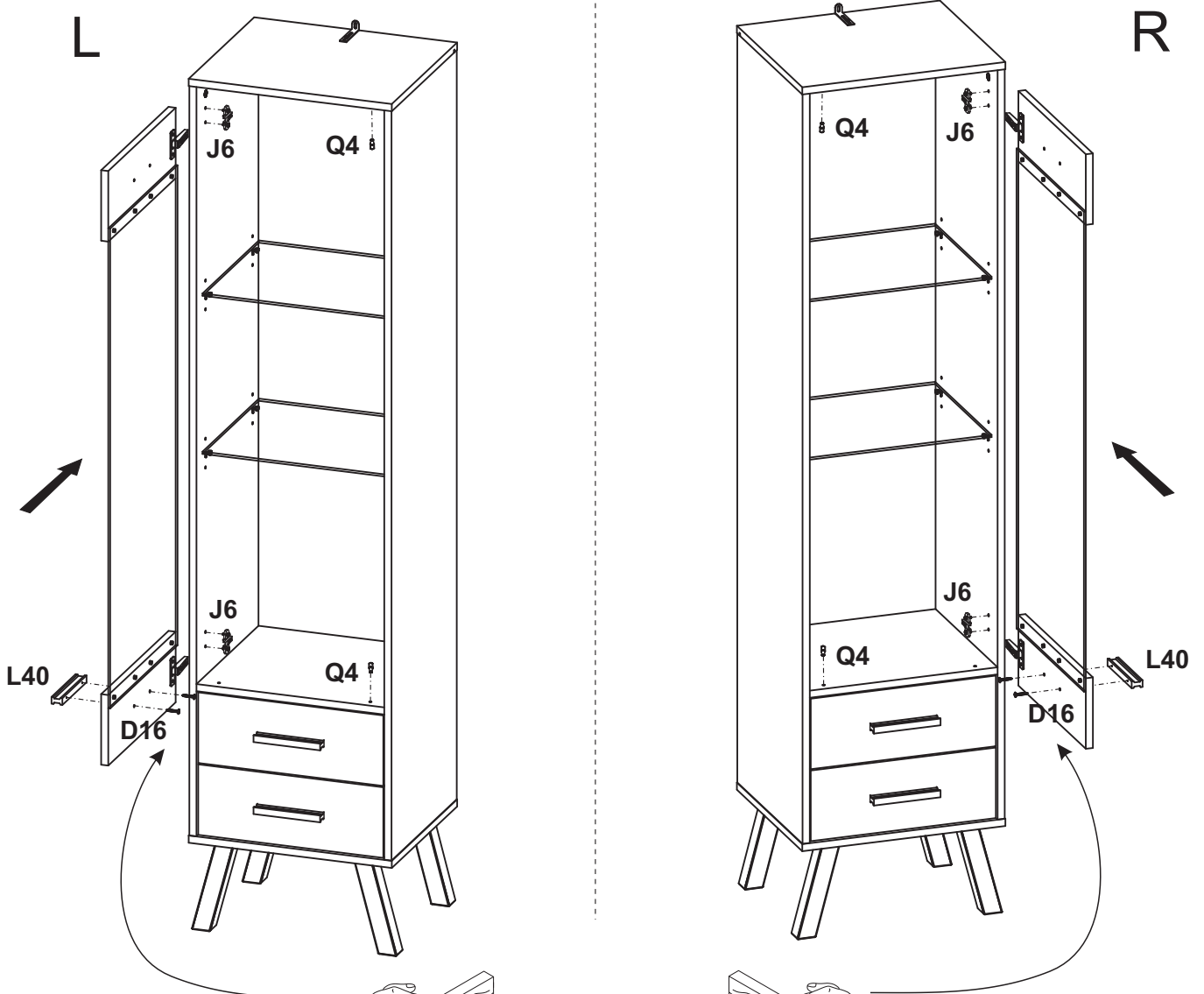


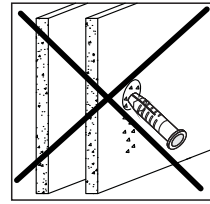
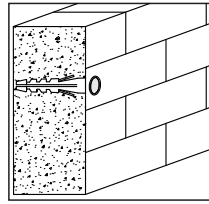
C0
x12

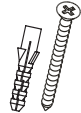
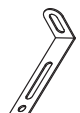


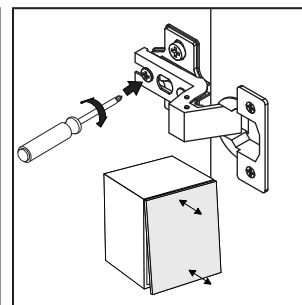
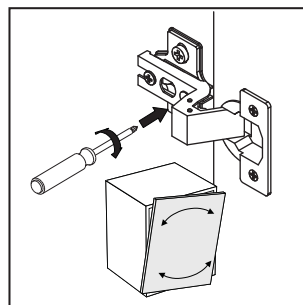
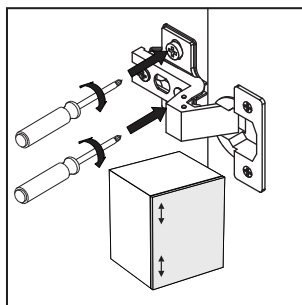
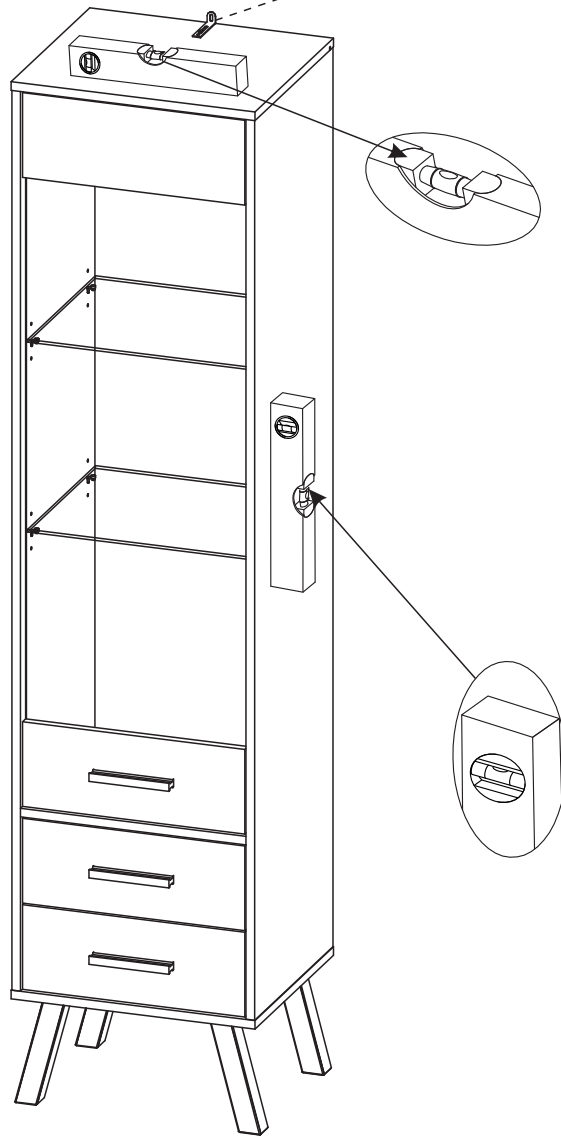
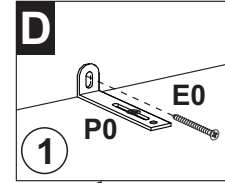
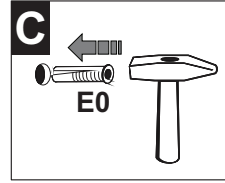
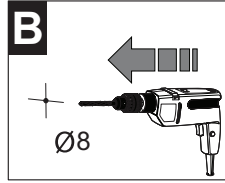
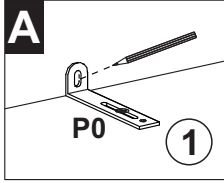
16

D16	J6	L40	Q4
			
4,2x28	H=2		
x2	x2	x1	x2

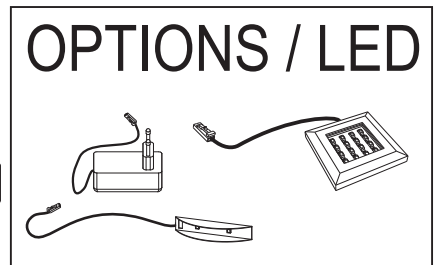
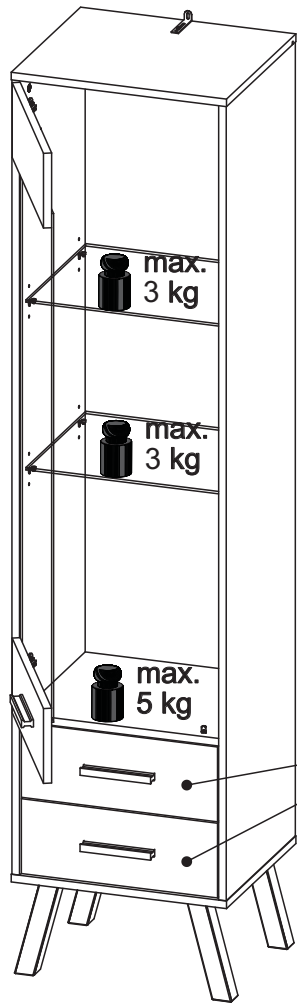




E0	P0
	
8x50	
x1	x1



18



19

