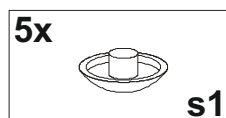
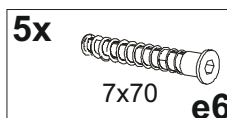
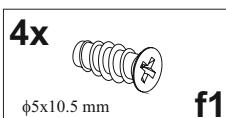
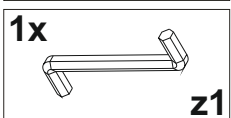
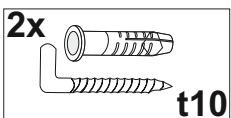
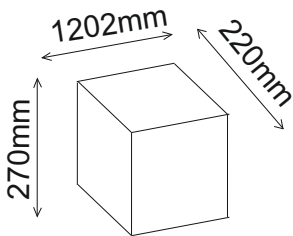
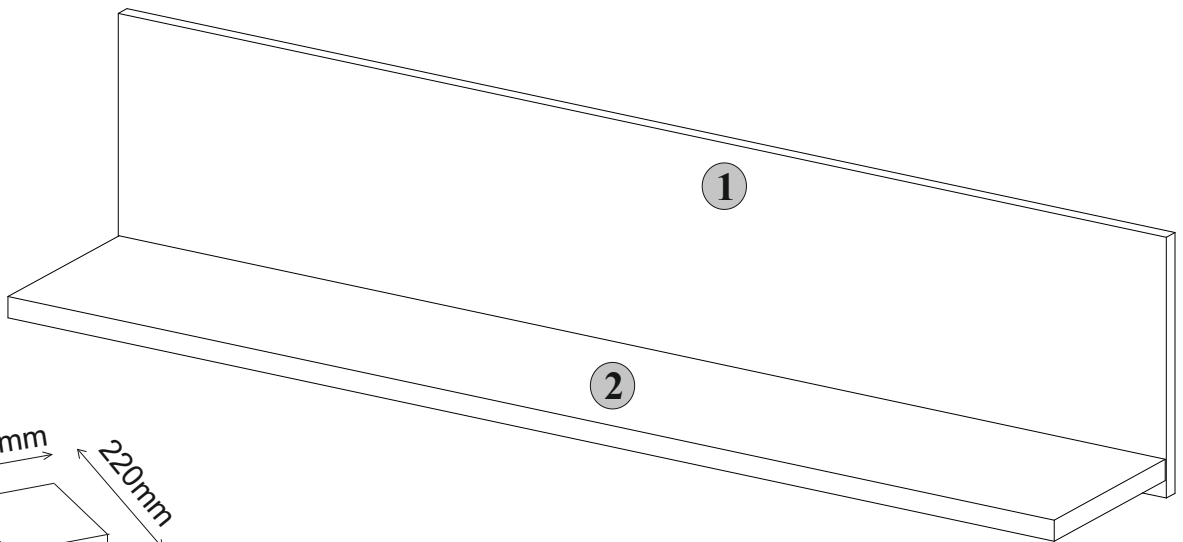
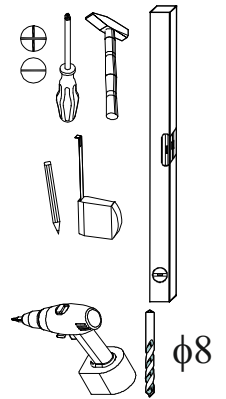
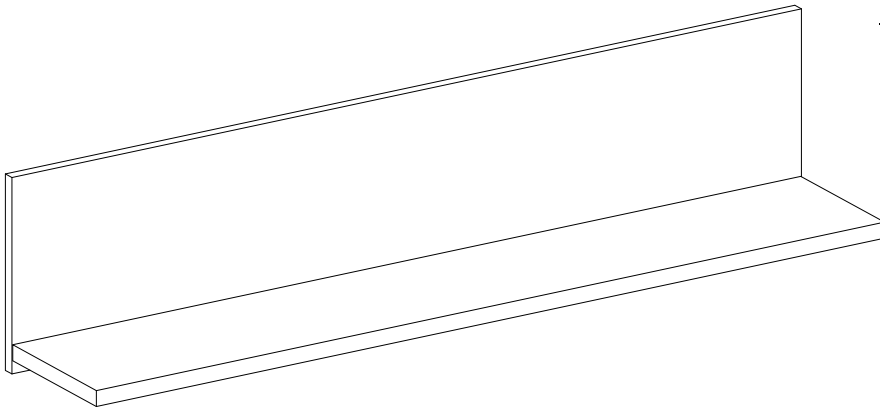
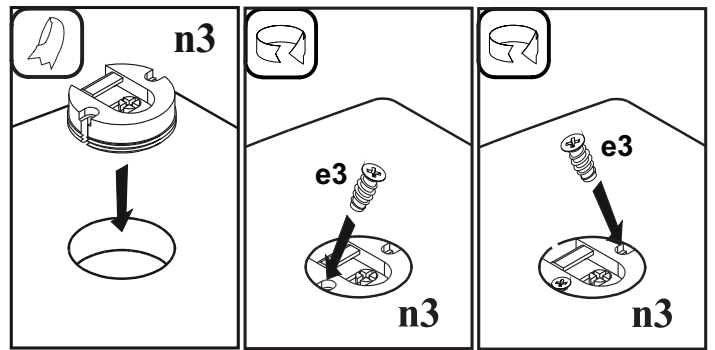
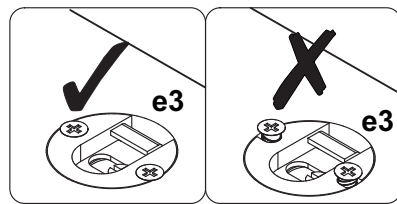
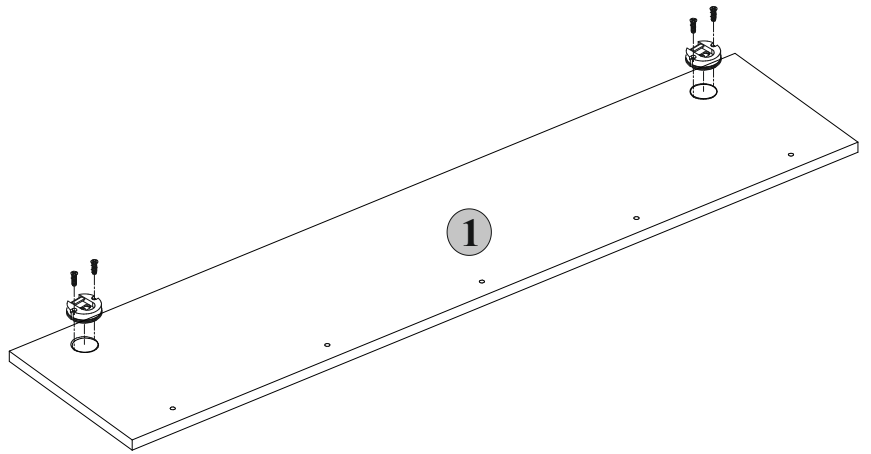
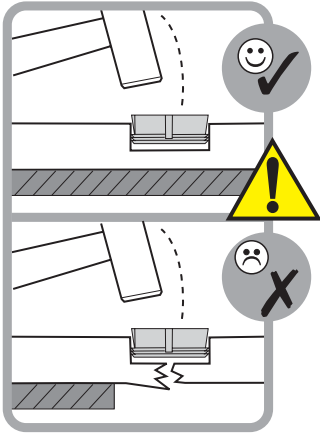


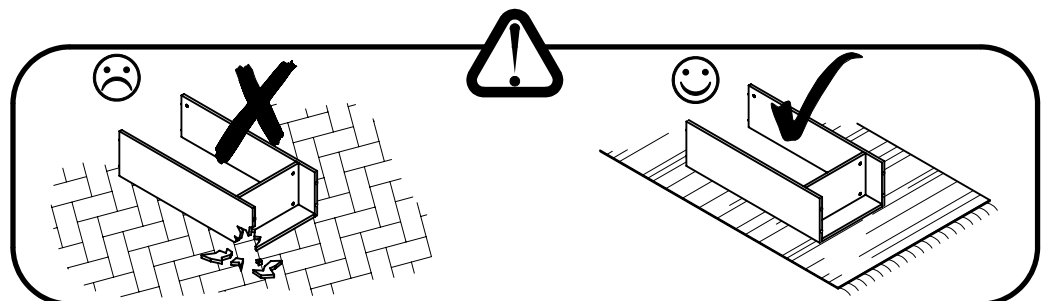
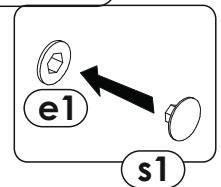
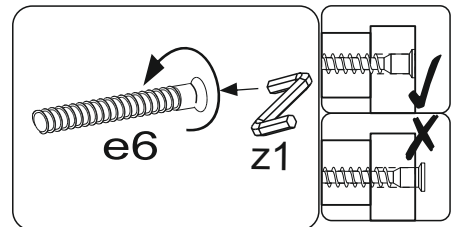
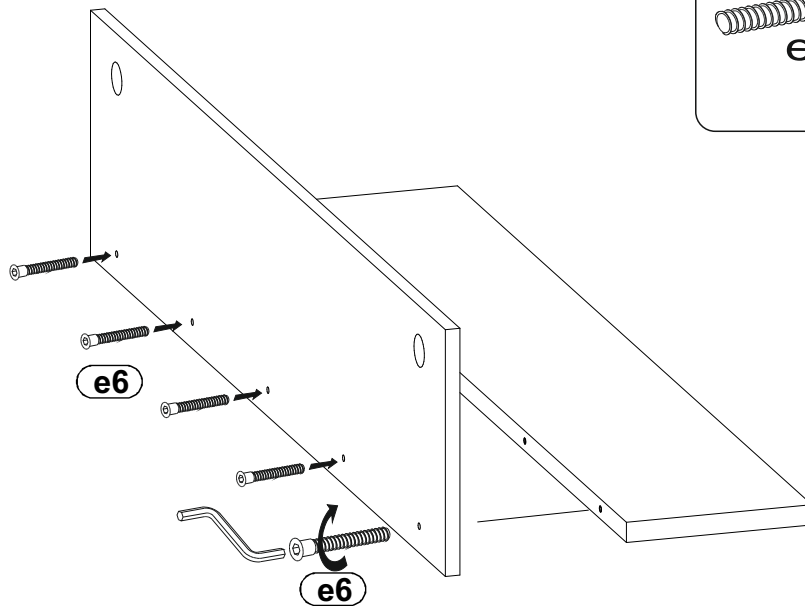
number	Measurements	Pcs.
1	1202x270	1
2	1200x204	1



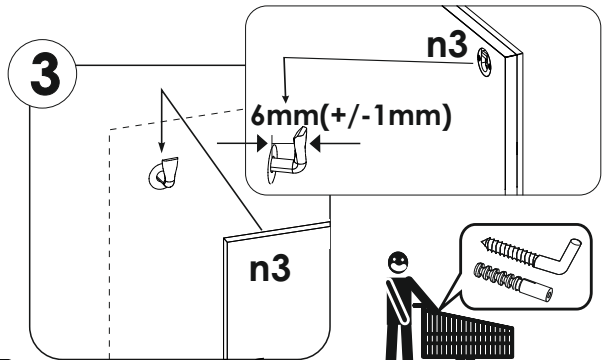
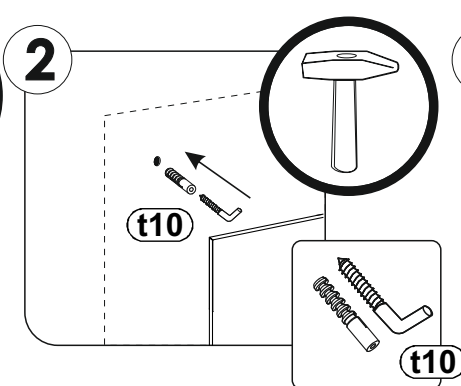
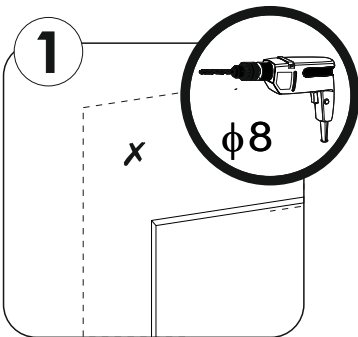
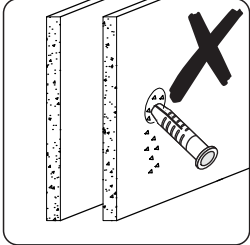
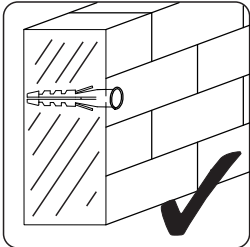
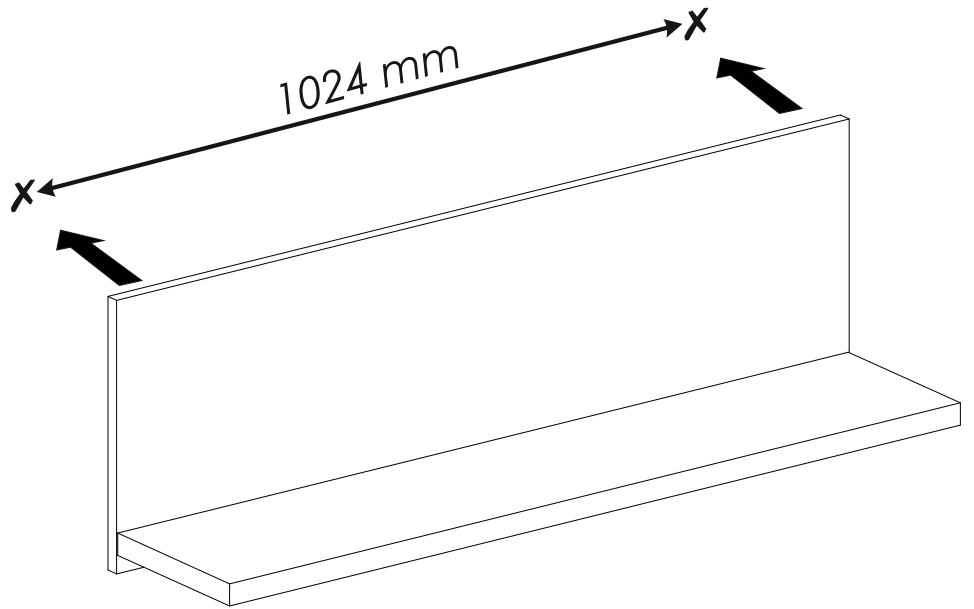
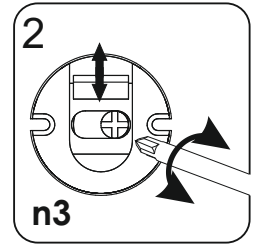
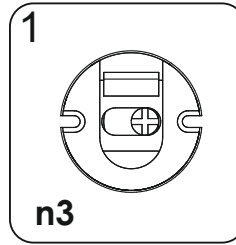
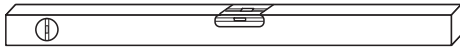
# I



# 2



3



3