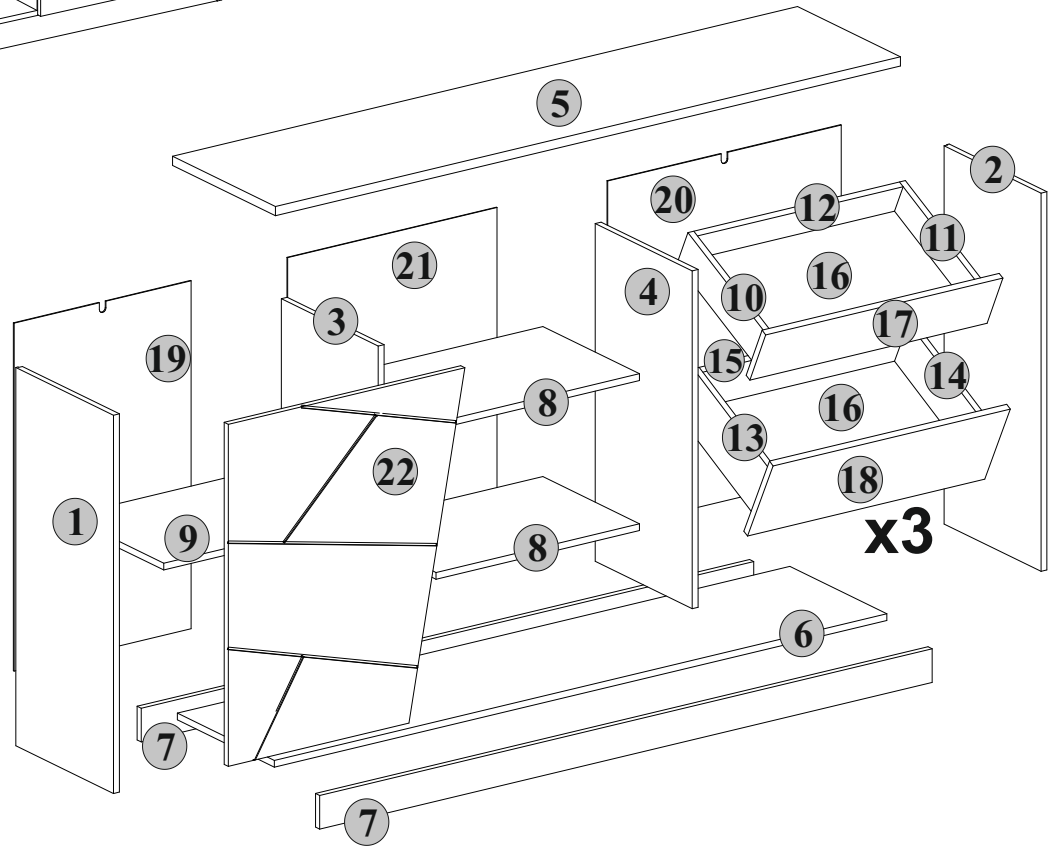
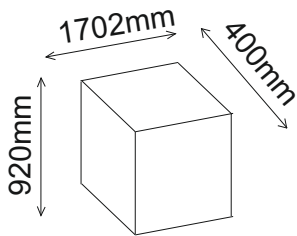
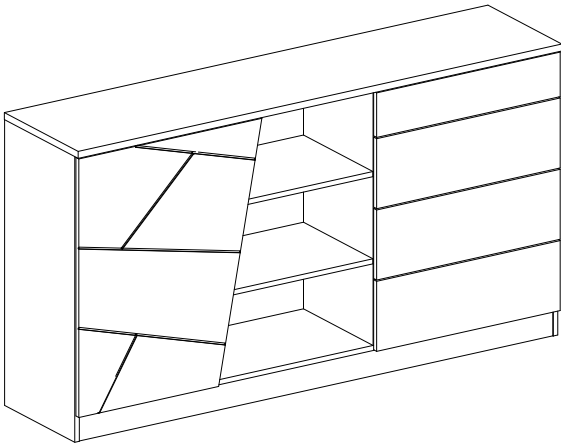


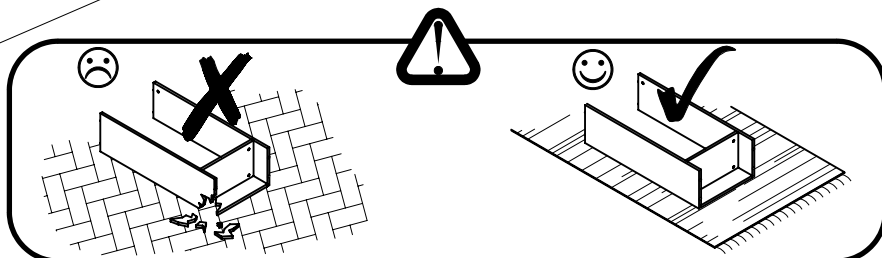
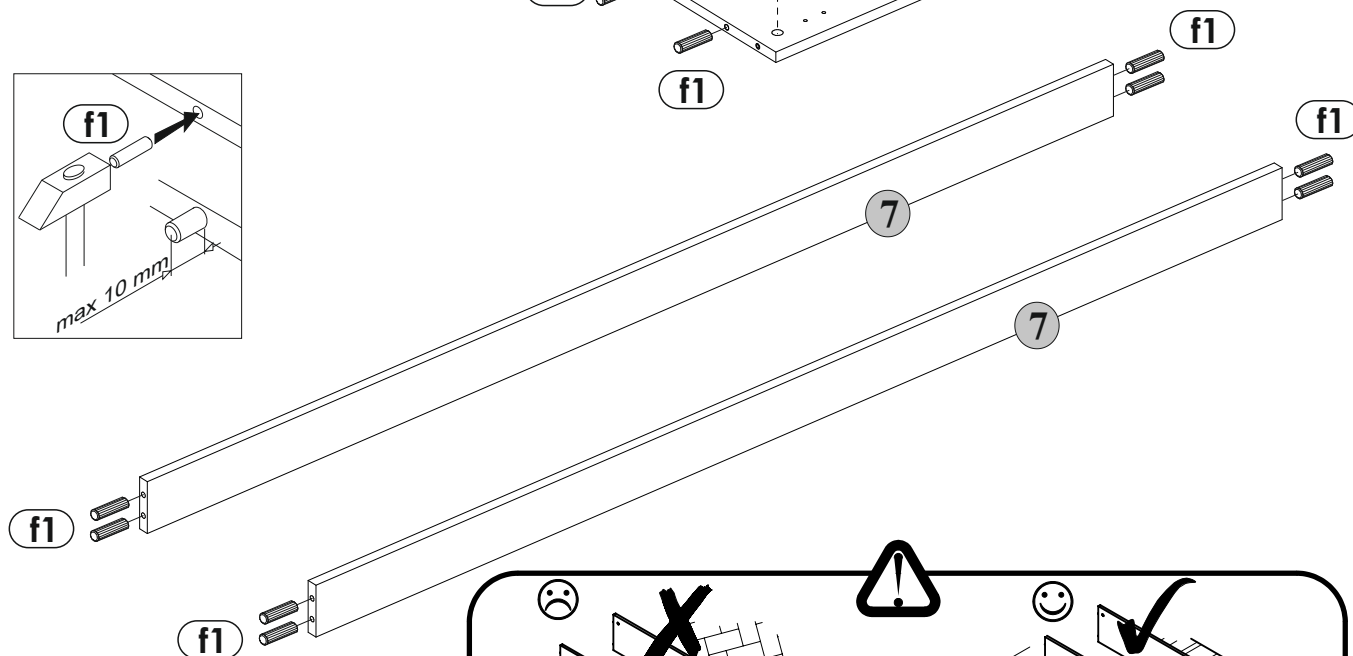
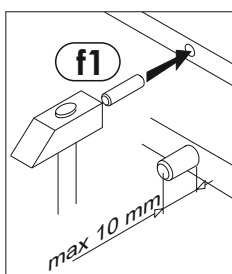
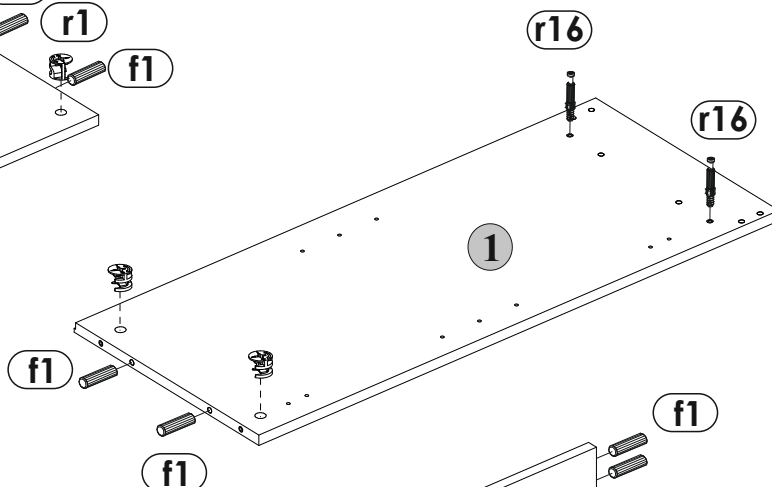
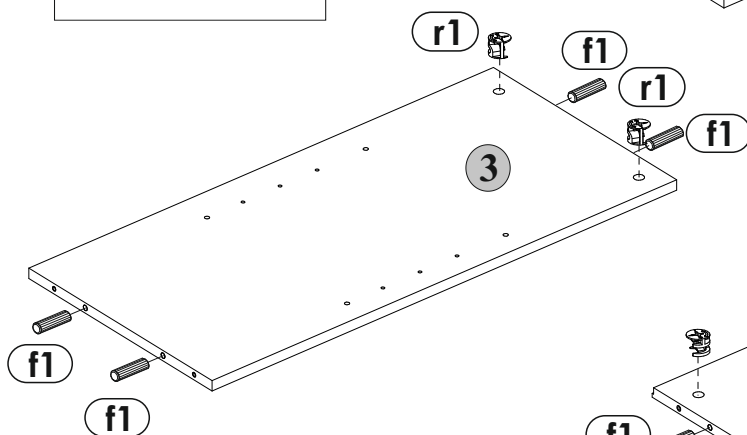
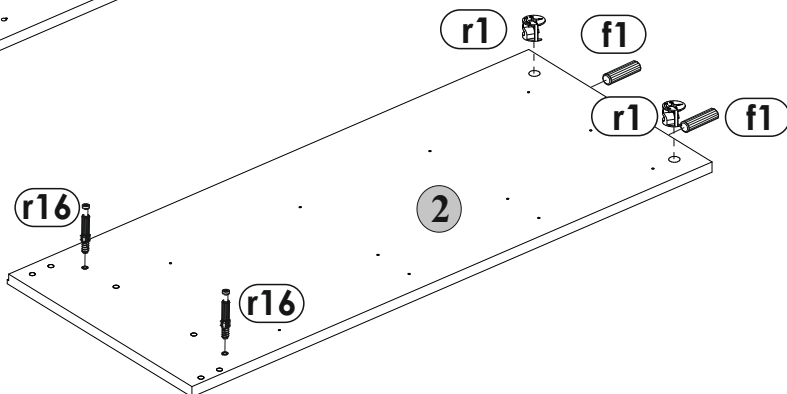
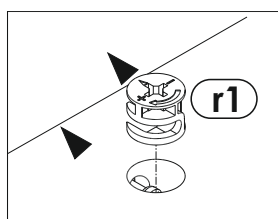
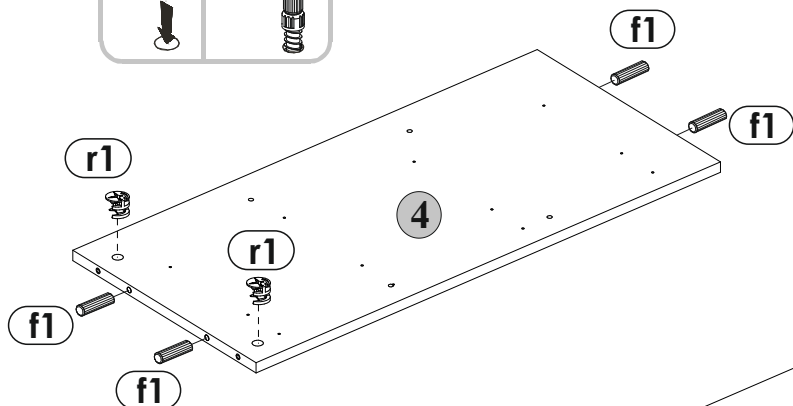
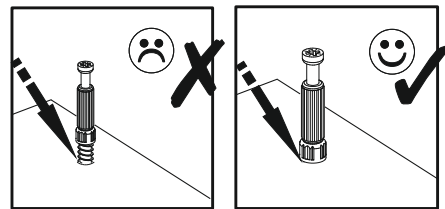
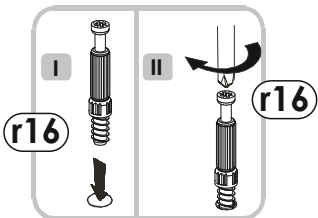
number	Measurements	Pcs.
1	898x380	1
2	898x380	1
3	802x377	1
4	802x377	1
5	1702x400	1
6	1668x377	1
7	1668x80	2
8	554x376	2
9	463x377	1
10	350x96	1
11	350x96	1
12	560x96	1

13	350x140	3
14	350x140	3
15	560x140	3
16	570x344	4
17	646x140	1
18	646x220	3
19	826x482	1
20	826x570	1
21	826x636	1
22	812x644	1

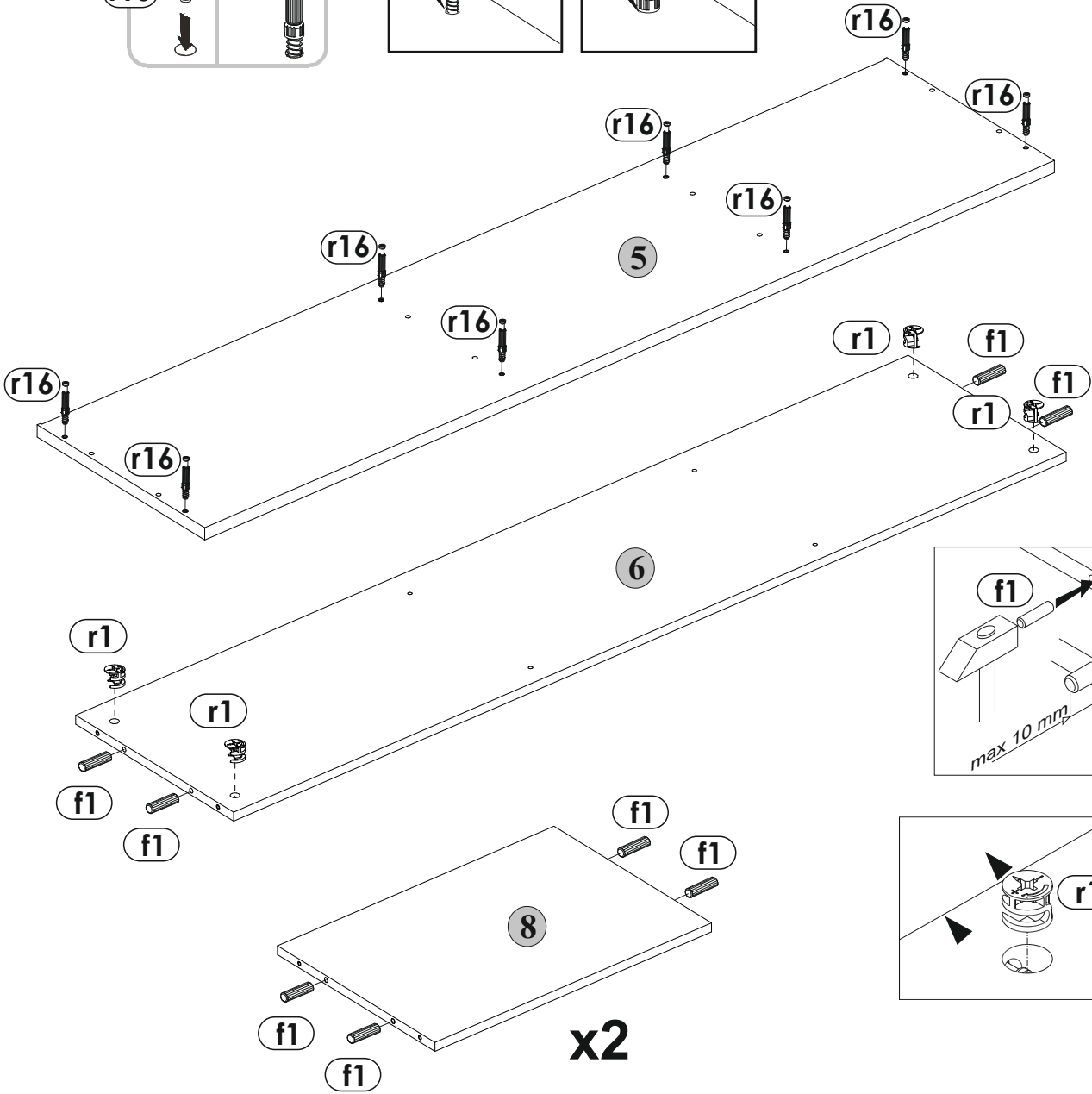
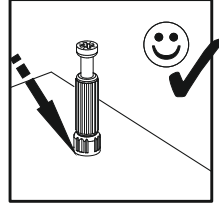
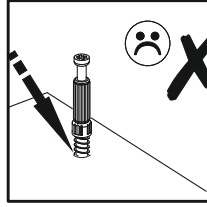
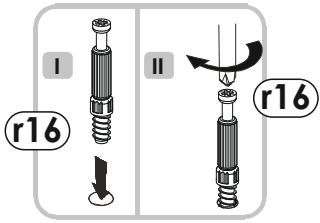


8x i9	2x n14	4x φ5x17 mm d1	2x b1	2x a2	4x φ6.3x13 mm e2
2x φ8x50 mm t17	28x r16	8x φ2x20 mm p27	28x φ15 #16 r1	28x s2	10x o21
4x w350	32x l2	4x 250 mm c33	8x k1	60x l1	72x φ3.5x13 mm p1
1x z1	44x φ8x30 mm f1	28x 7x50 e1	28x s1	4x d6	

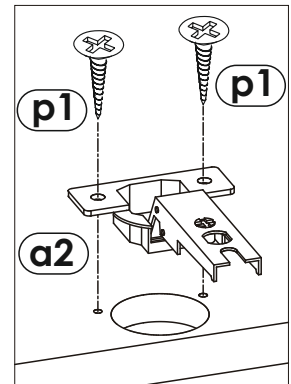
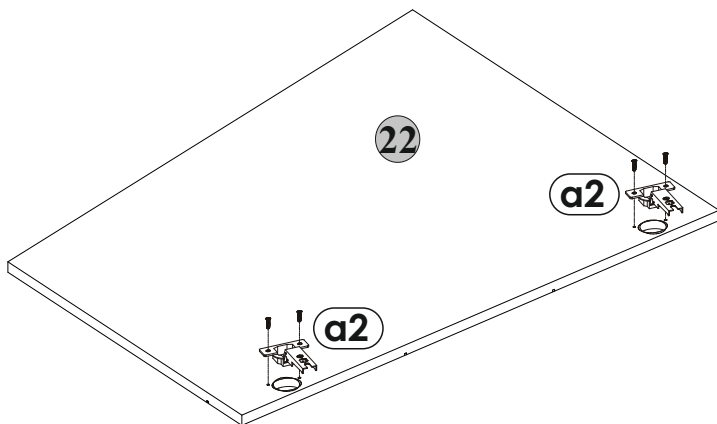
I



2

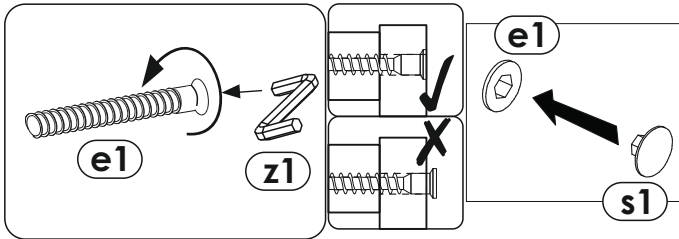
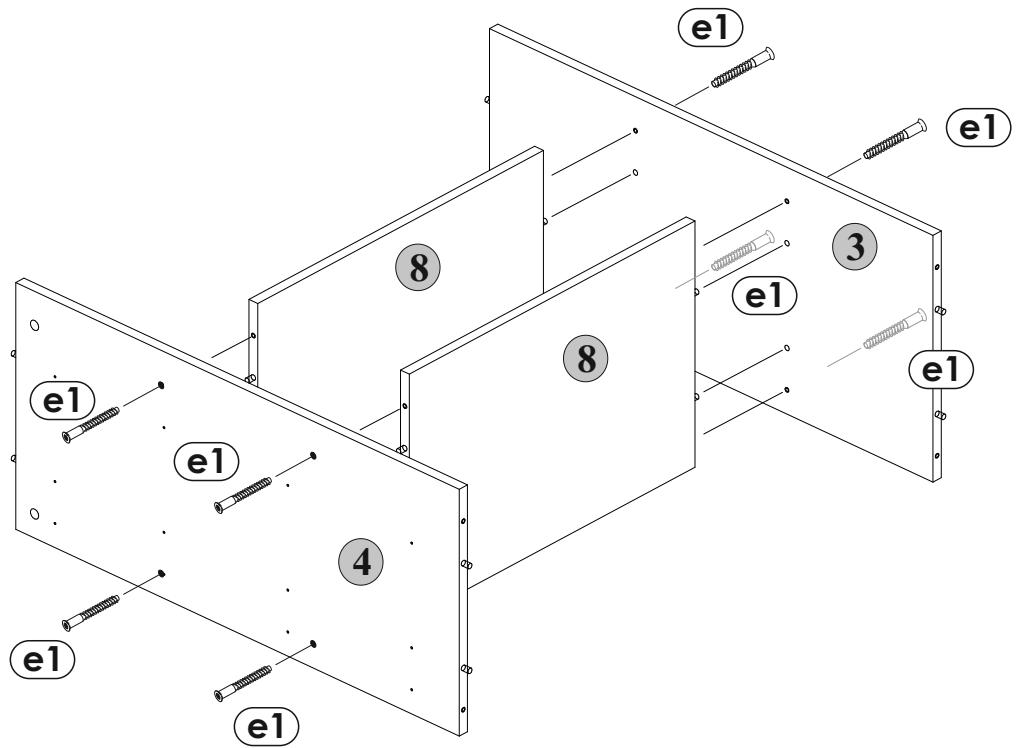


3

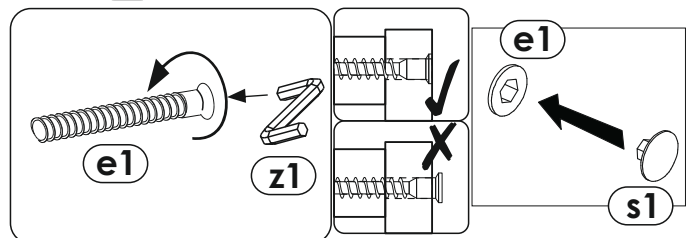
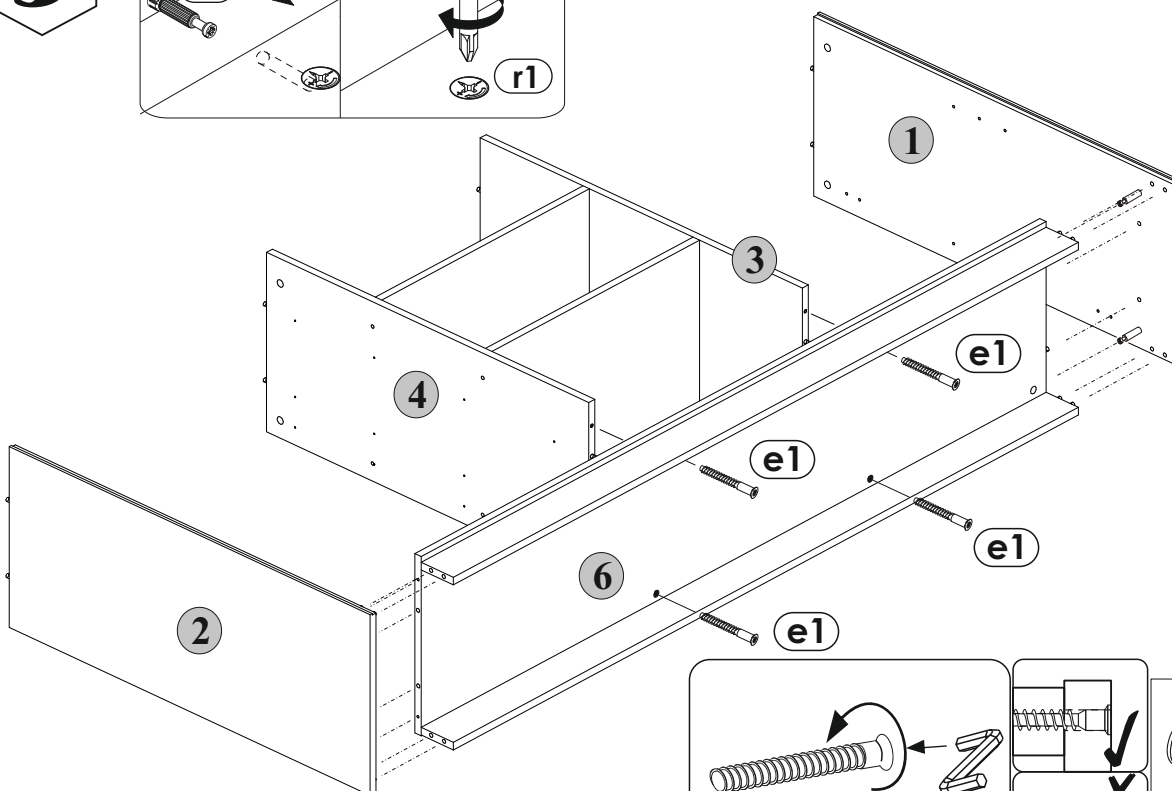
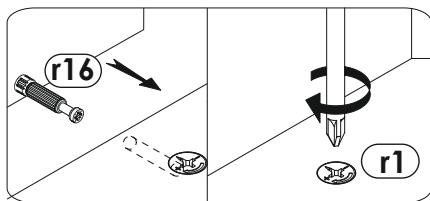


3

4

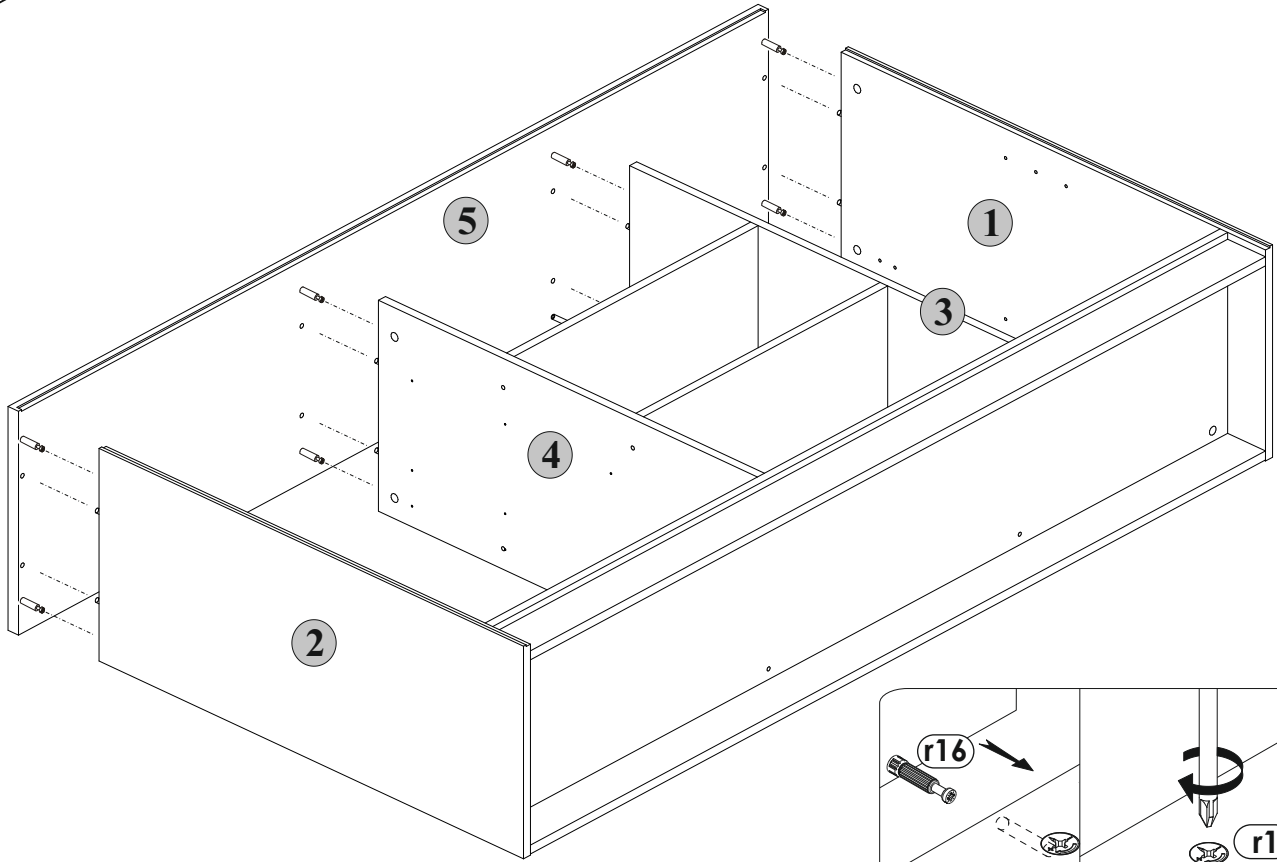


5

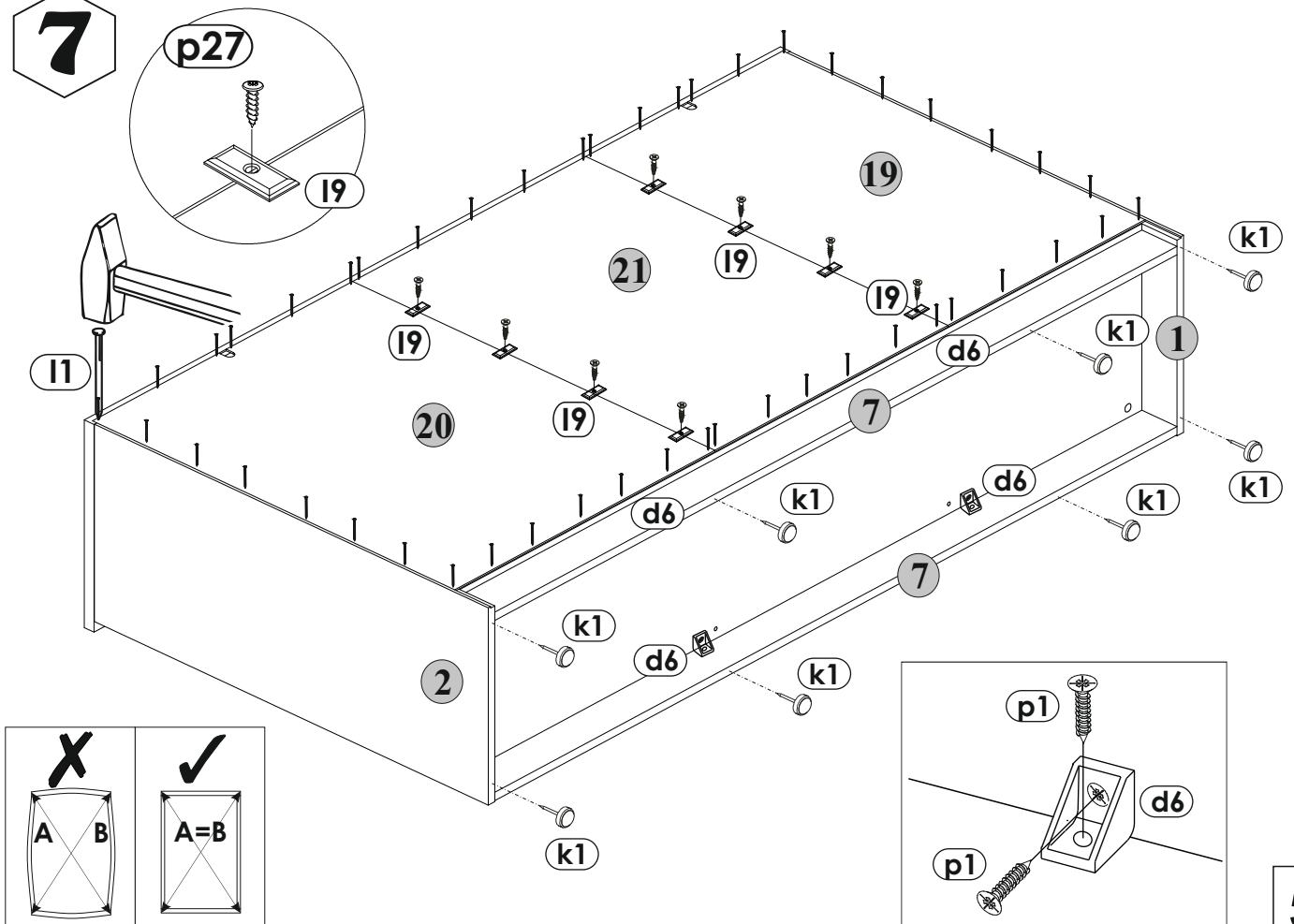


4

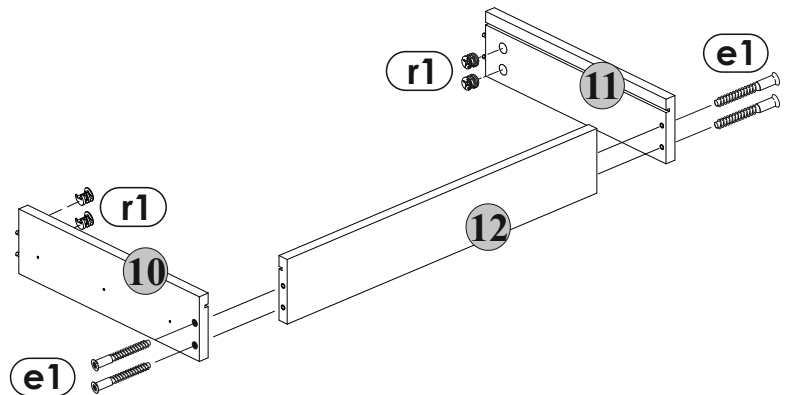
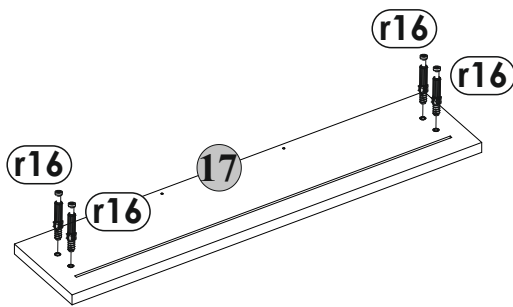
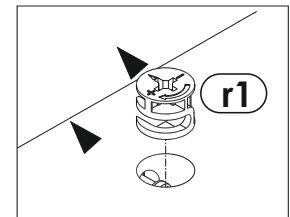
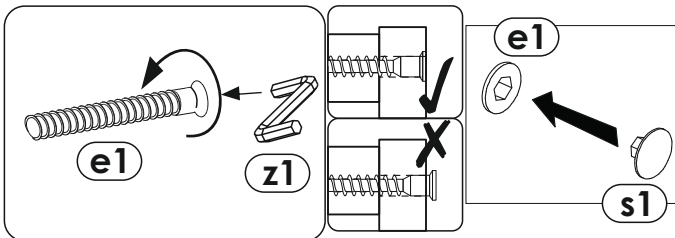
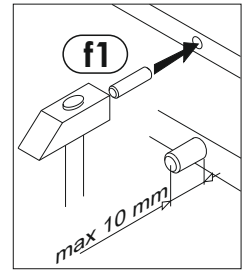
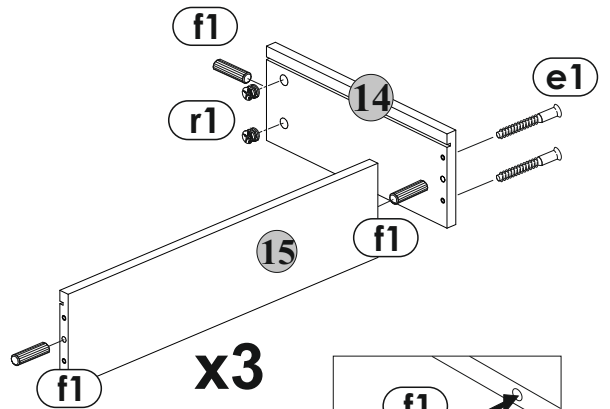
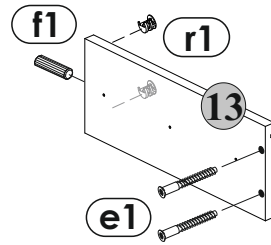
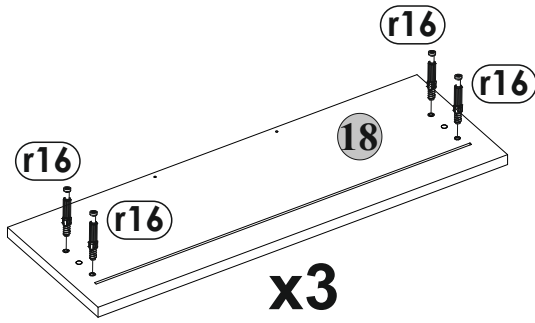
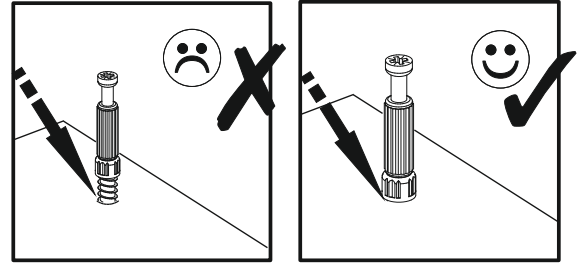
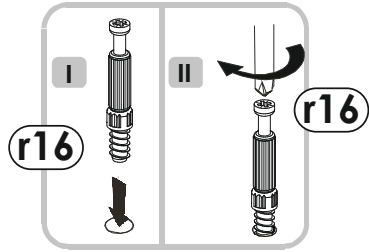
6



7

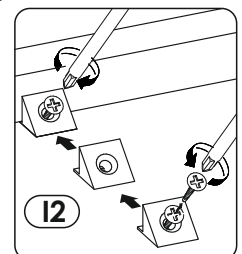
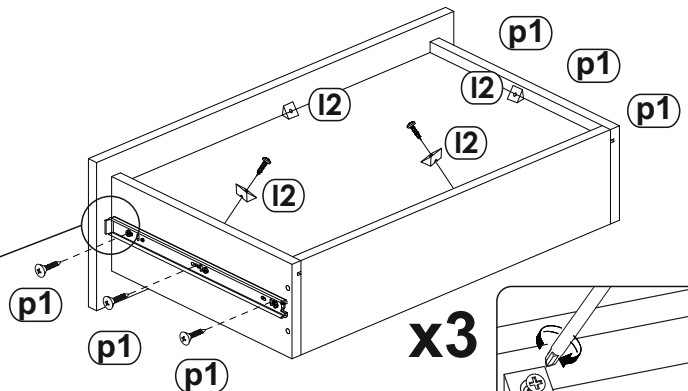
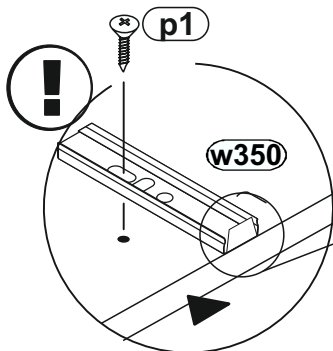
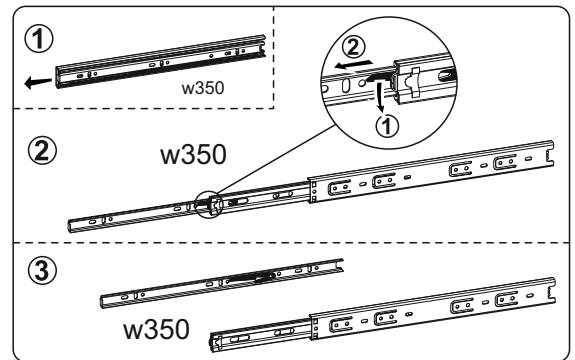
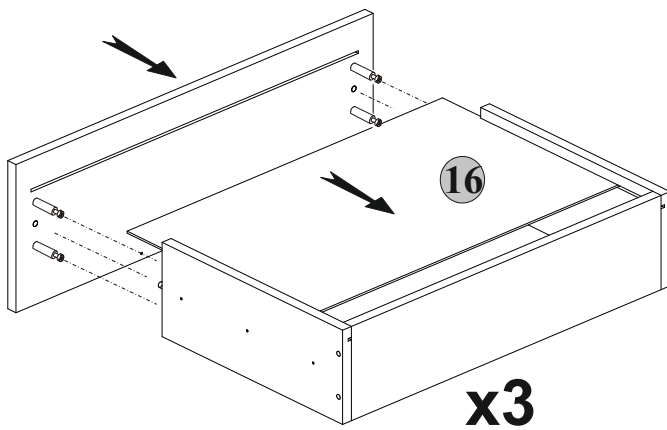
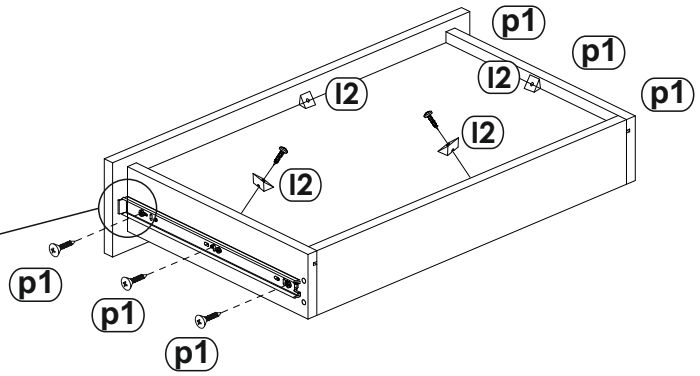
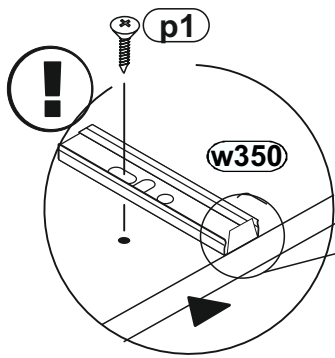
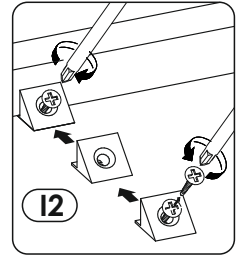
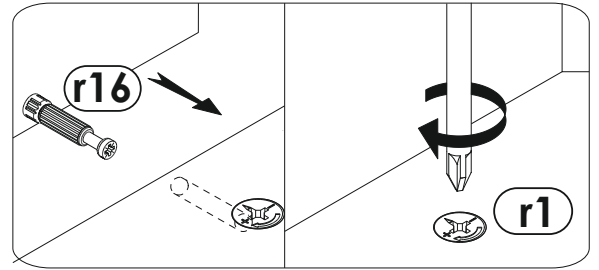
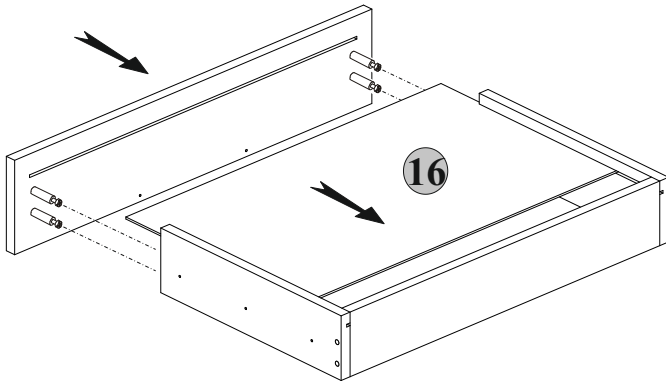


8



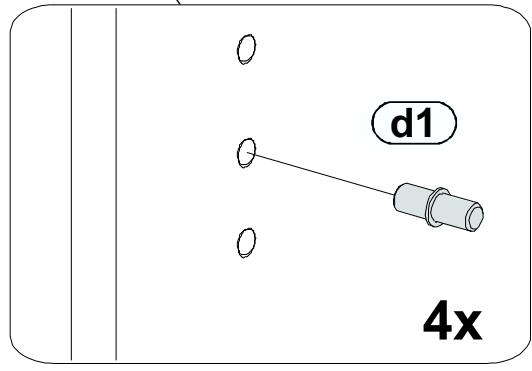
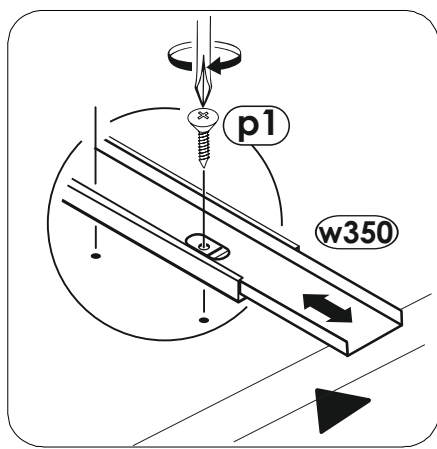
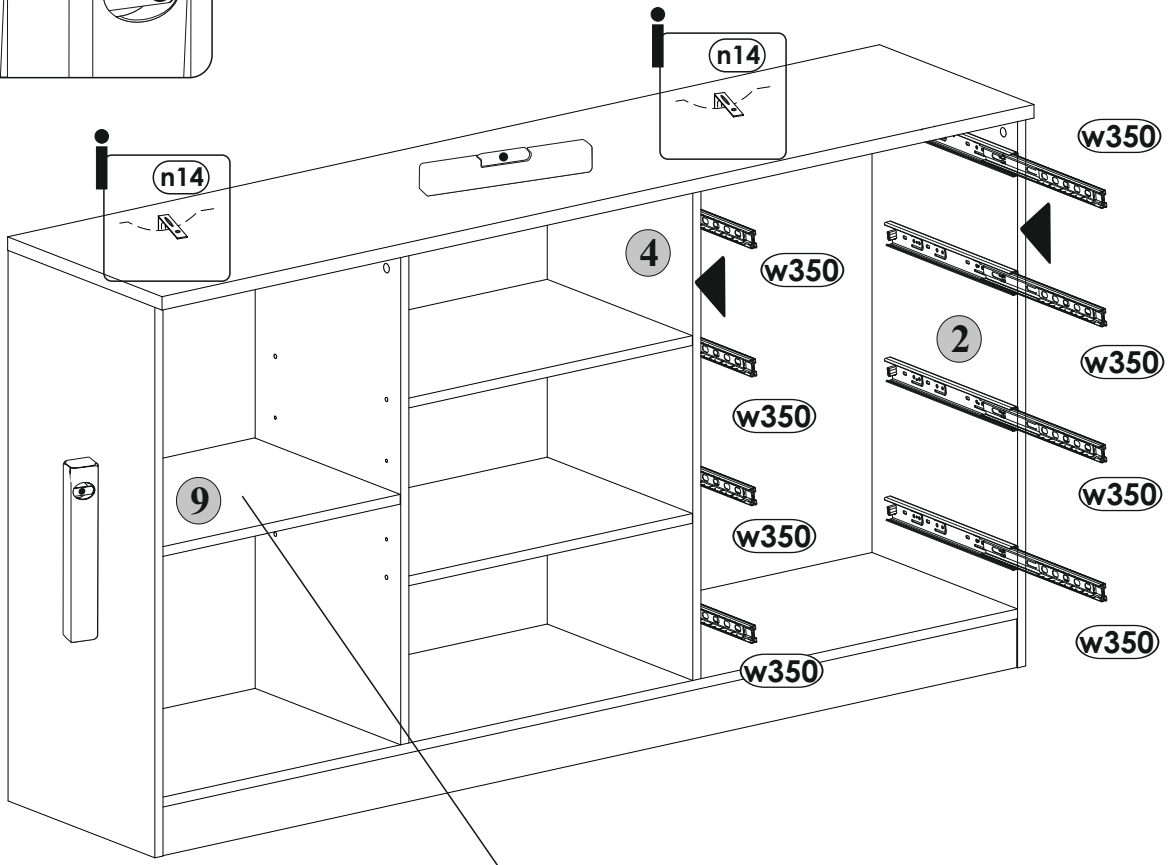
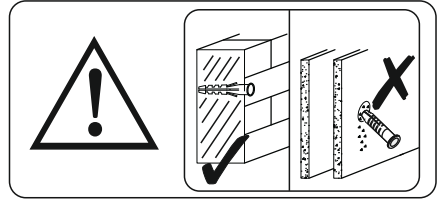
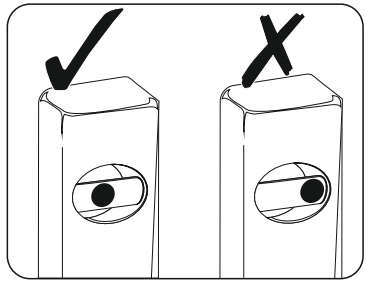
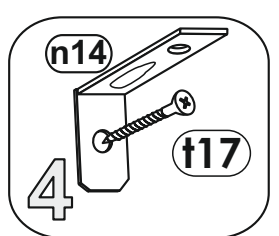
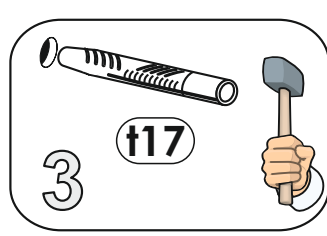
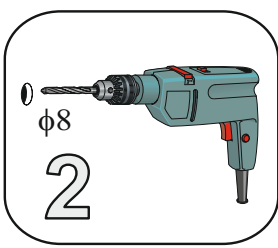
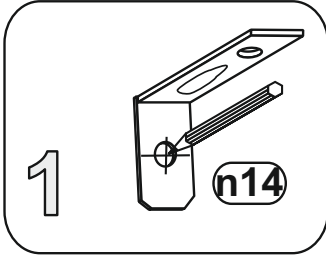
6

9

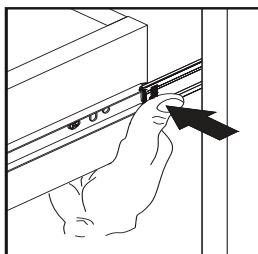
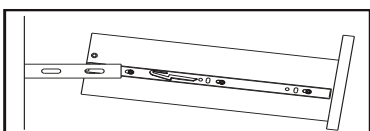
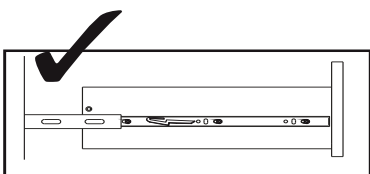
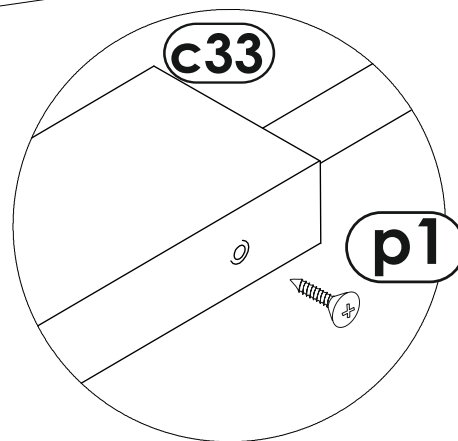
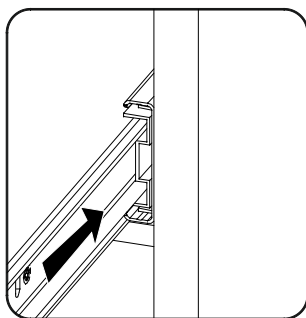
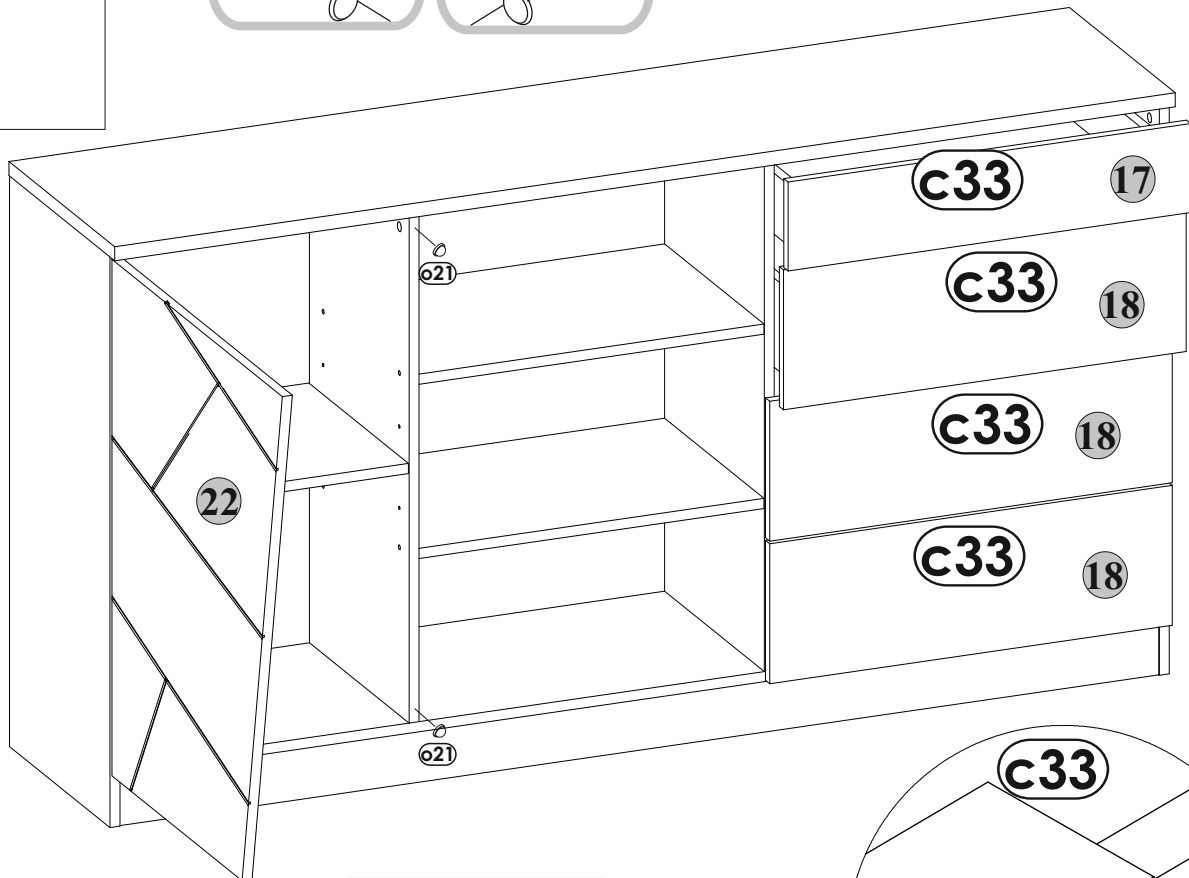
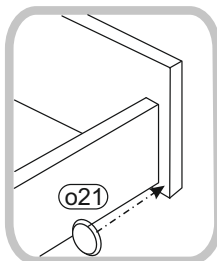
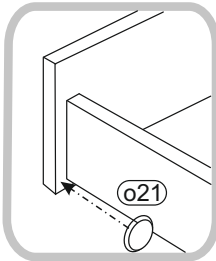
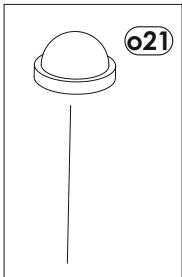
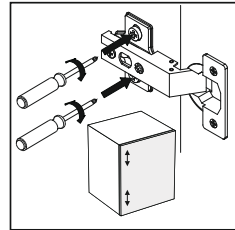
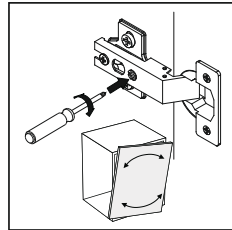
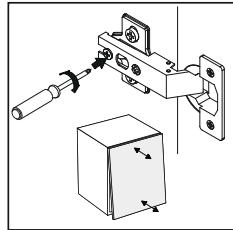
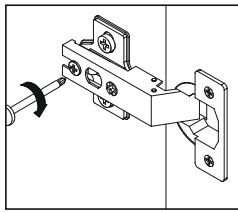
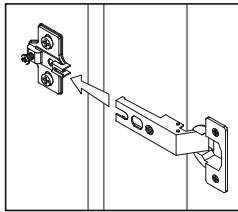


7

10



11



1 	2 12 Monate

8