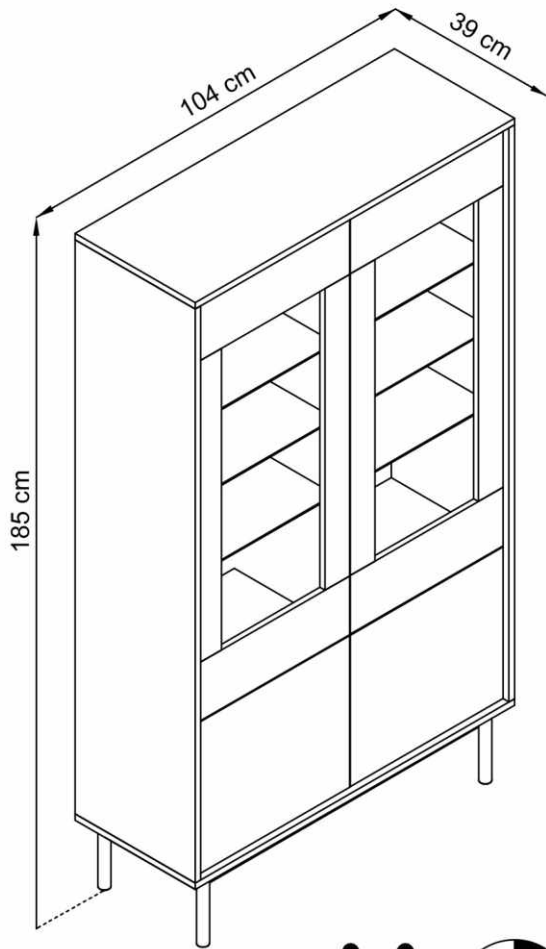
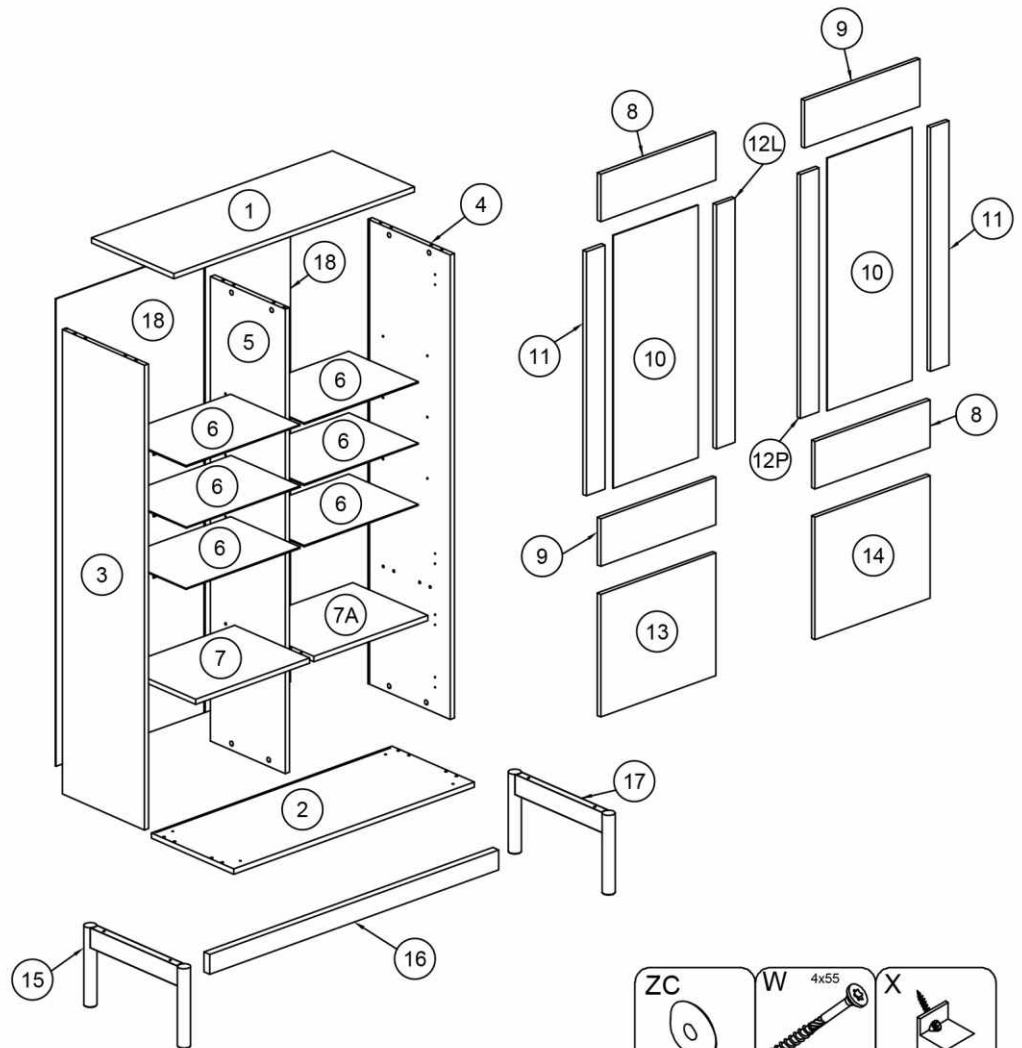


BERGEN

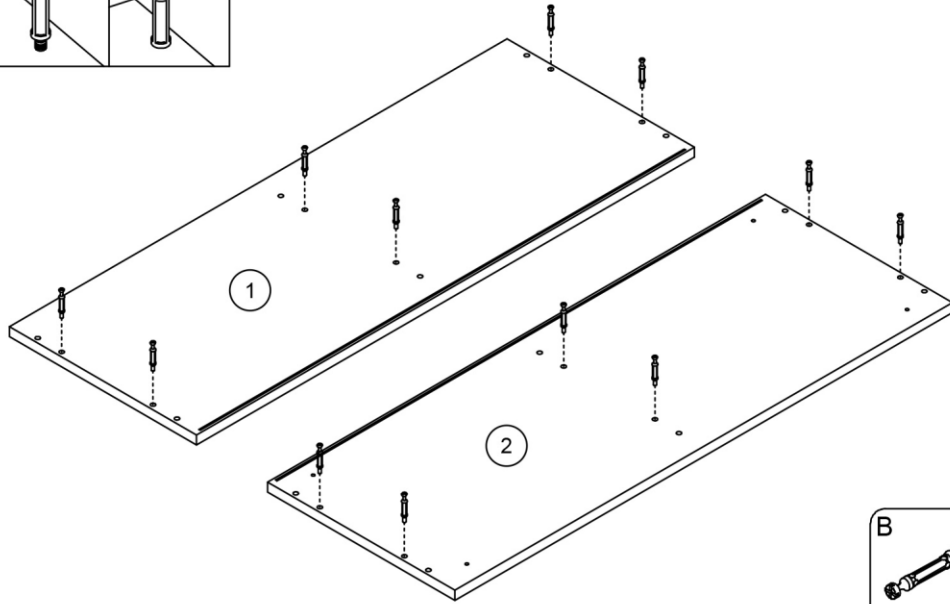
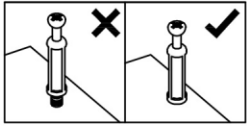
BWT 104



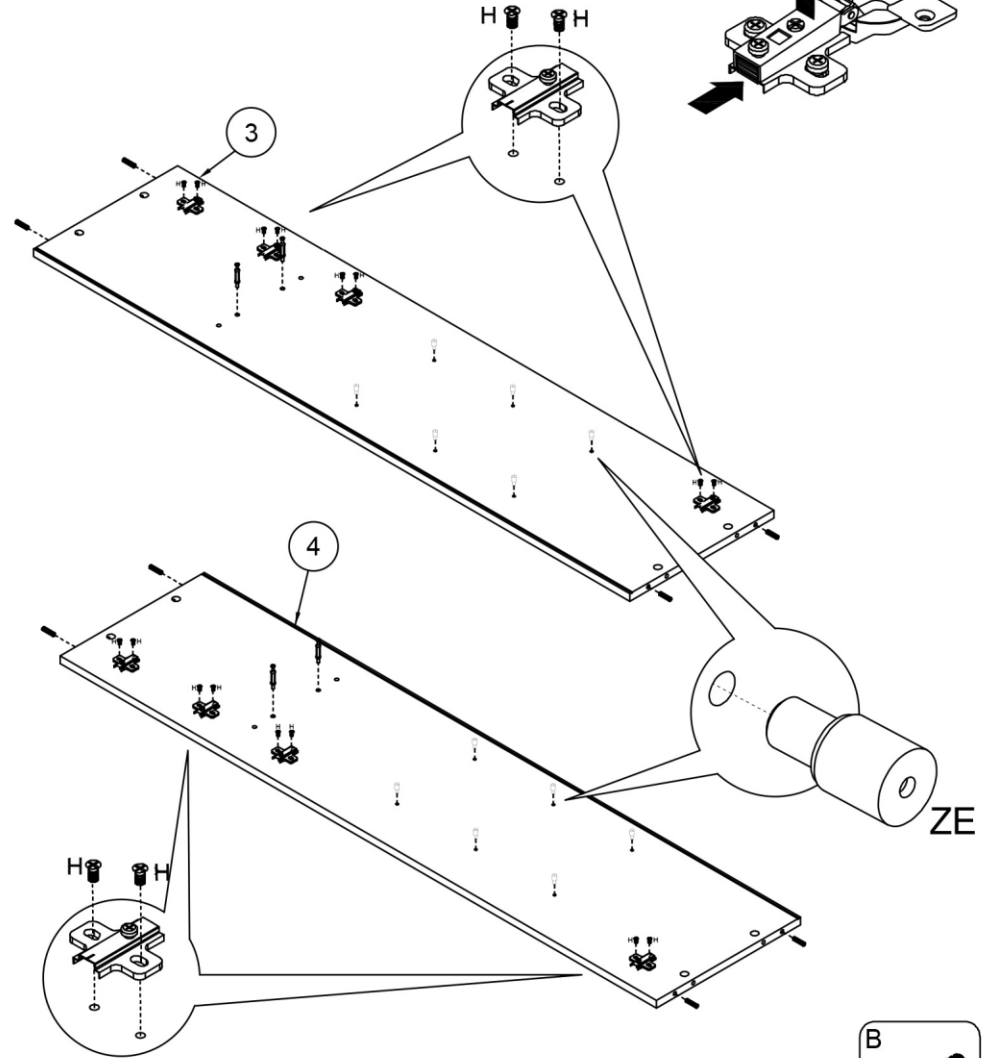
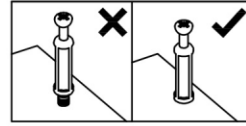
50 min.



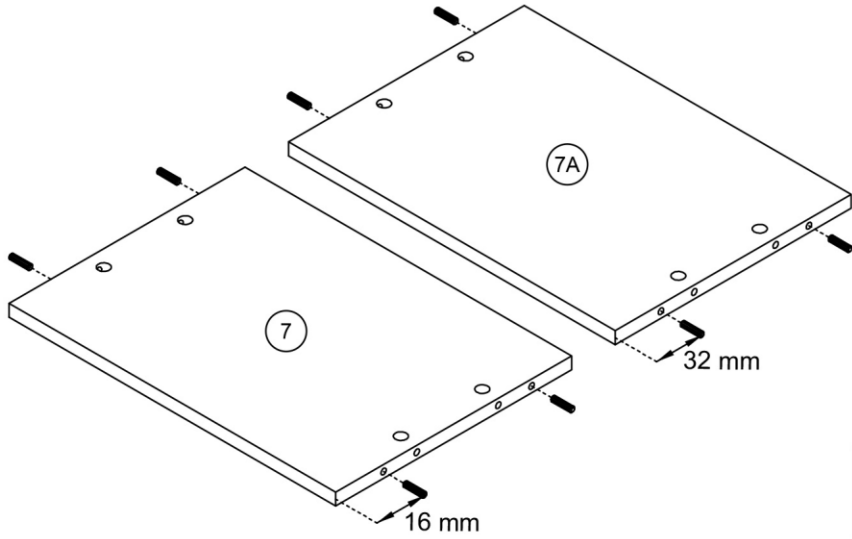
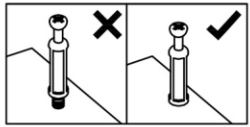
PBS x8 N 3x20 x17 HD 6x30 x4 GLUE x2 C x20 Z x20 ND 3.5x16 x33 KK x4		W 4x55 x7 X x18 ZC x8 Z x20 ND 3.5x16 x33 KK x4	
B x20 A 8x32 x20 TA x1 H 6.3x13 x16 AB 8x38 x16 TB x1 ZE x24 S x16		ZC x8 W 4x55 x7 X x18 Z x20 ND 3.5x16 x33 KK x4	



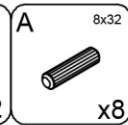
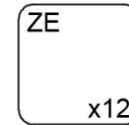
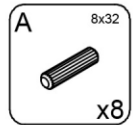
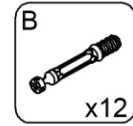
1

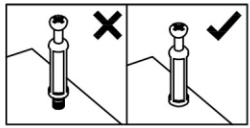


3

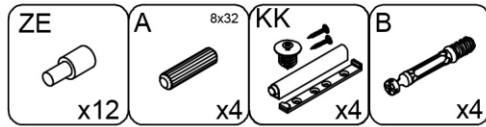
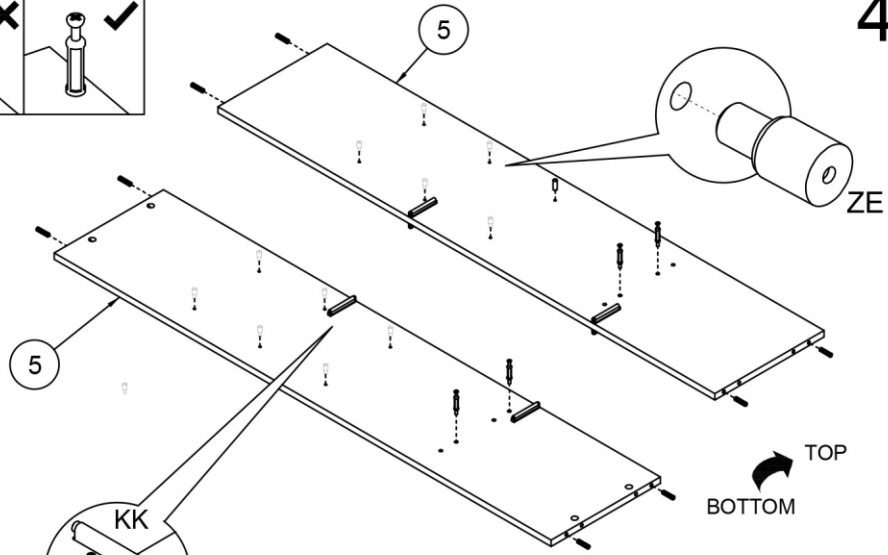


2

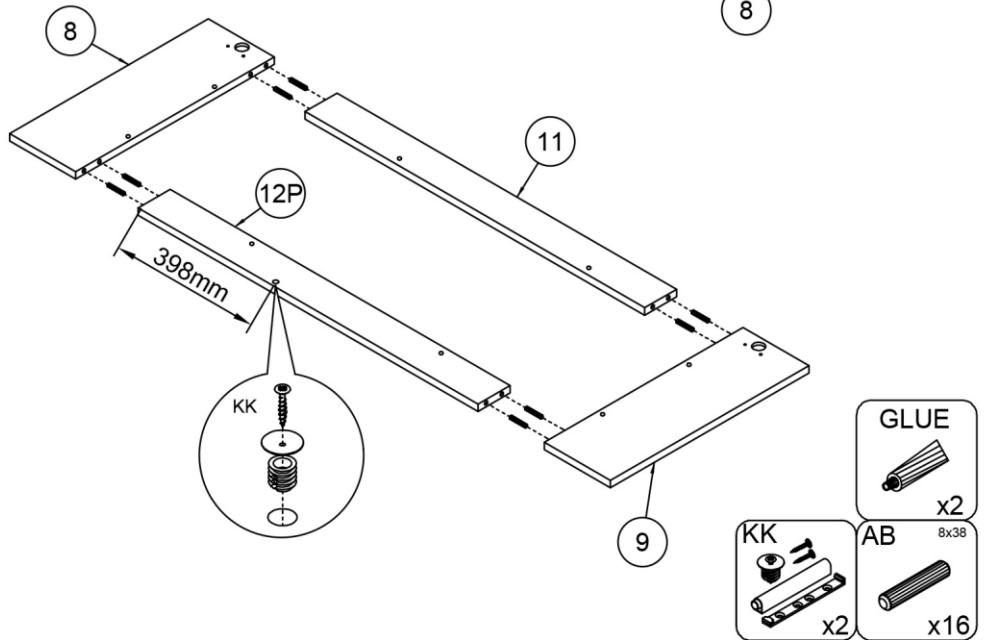
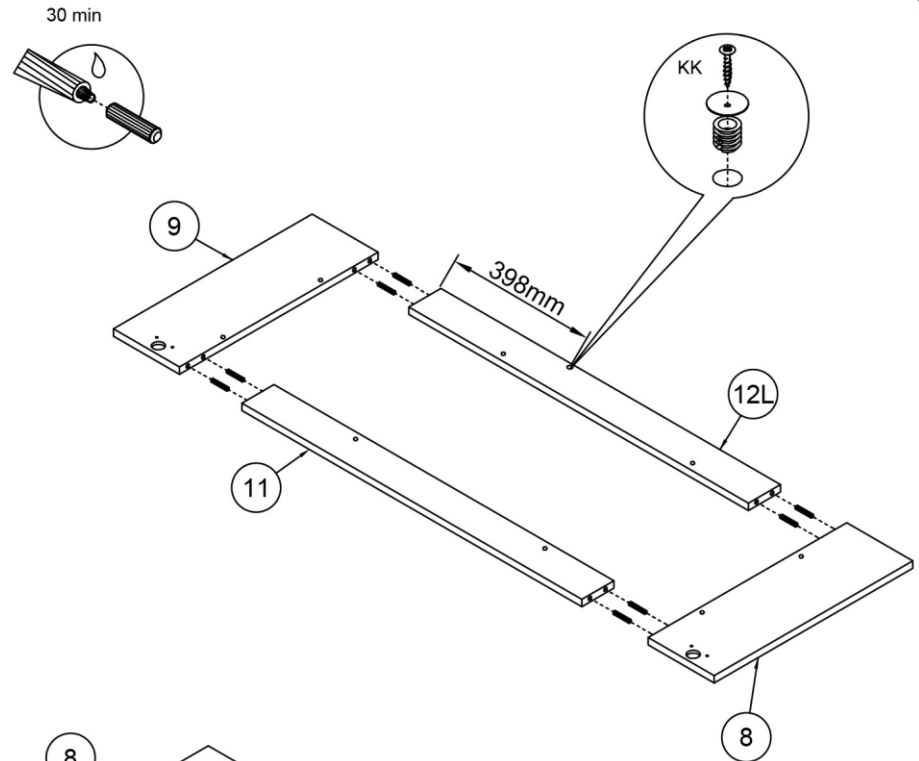




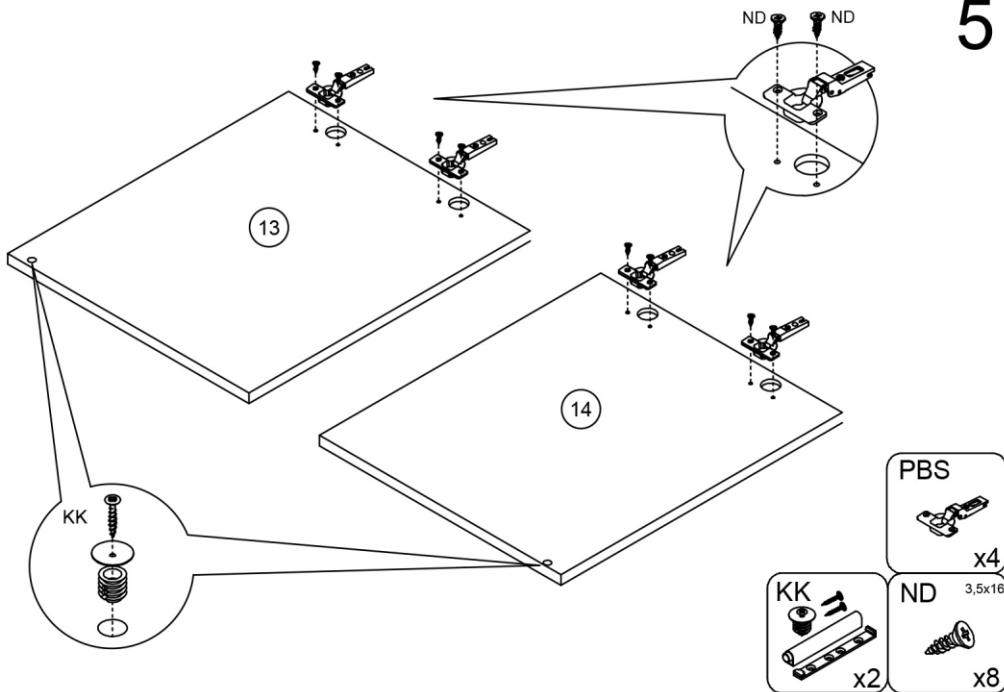
4

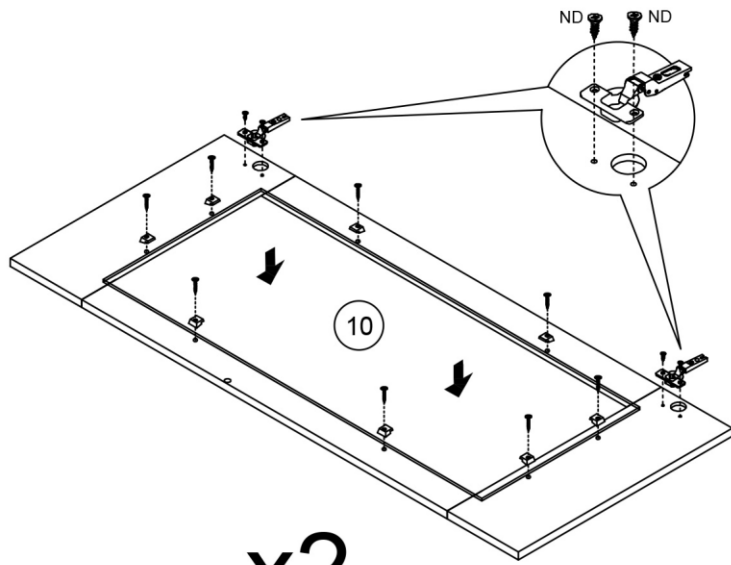


6

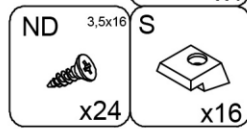


5

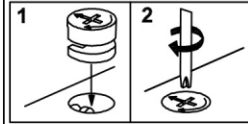




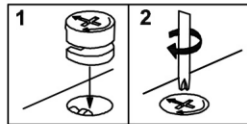
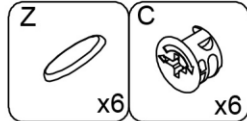
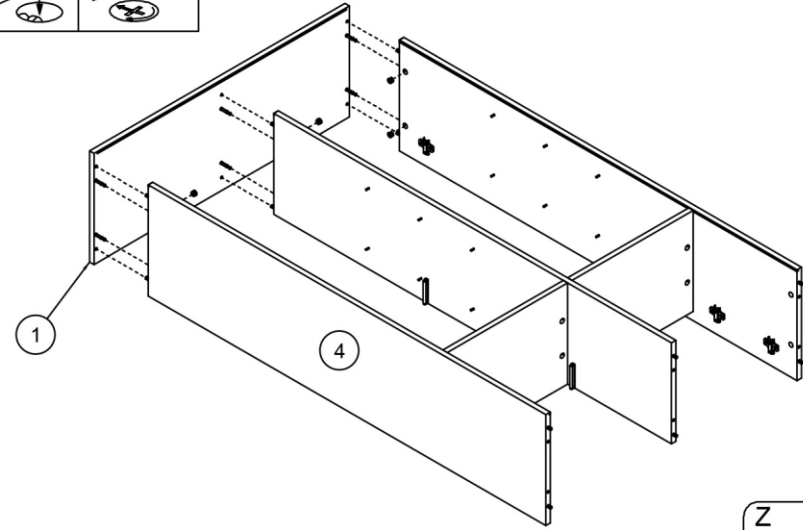
x2



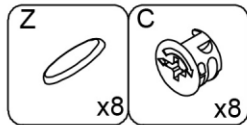
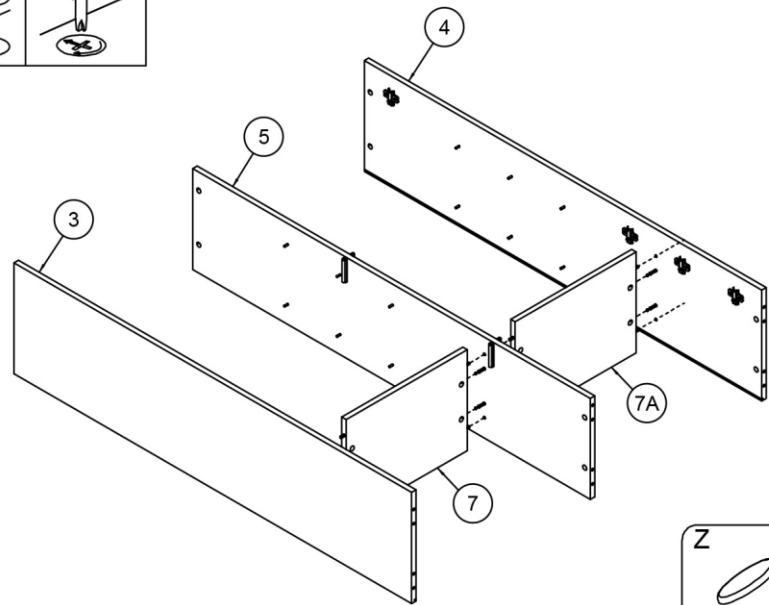
7



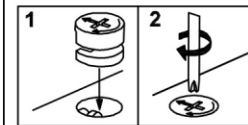
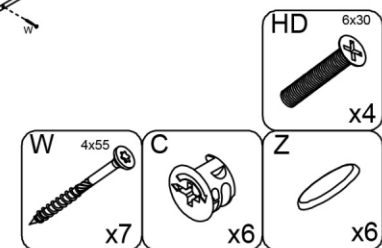
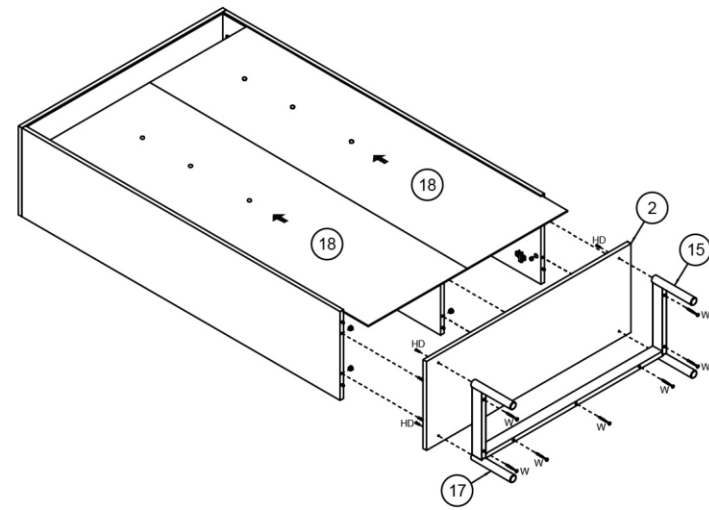
9

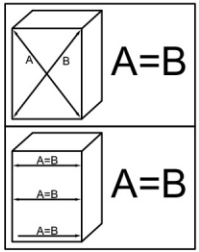


8

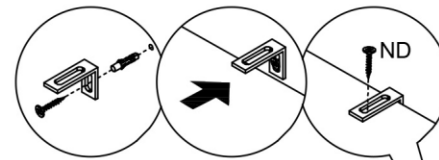
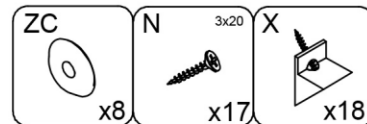
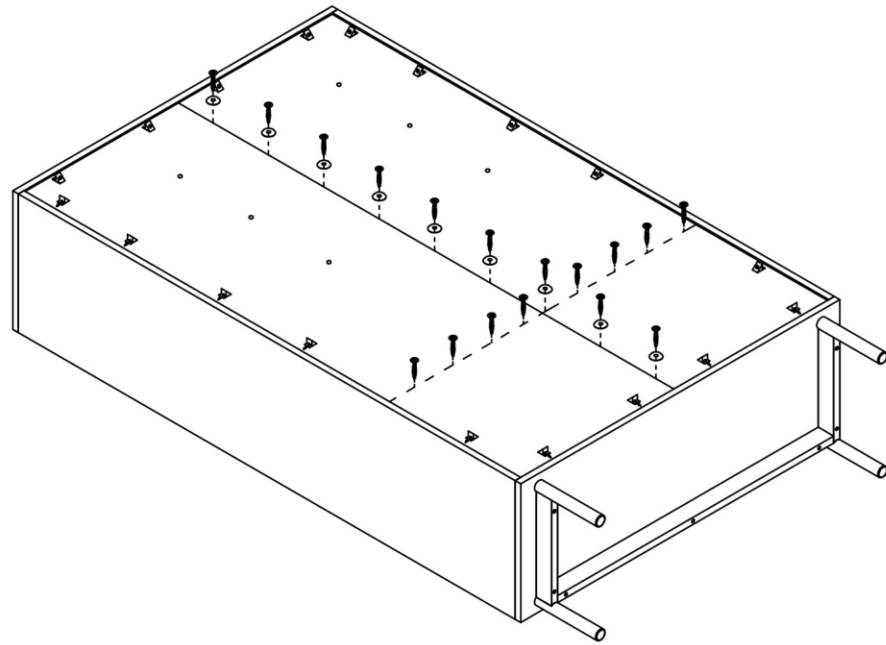


10





11



12

