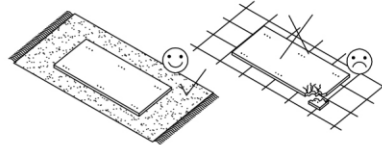
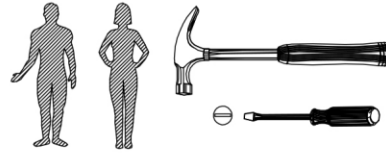
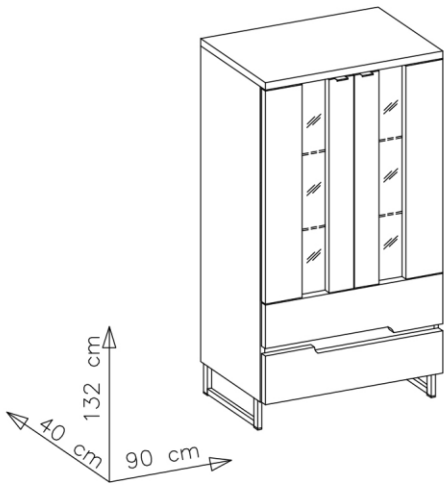
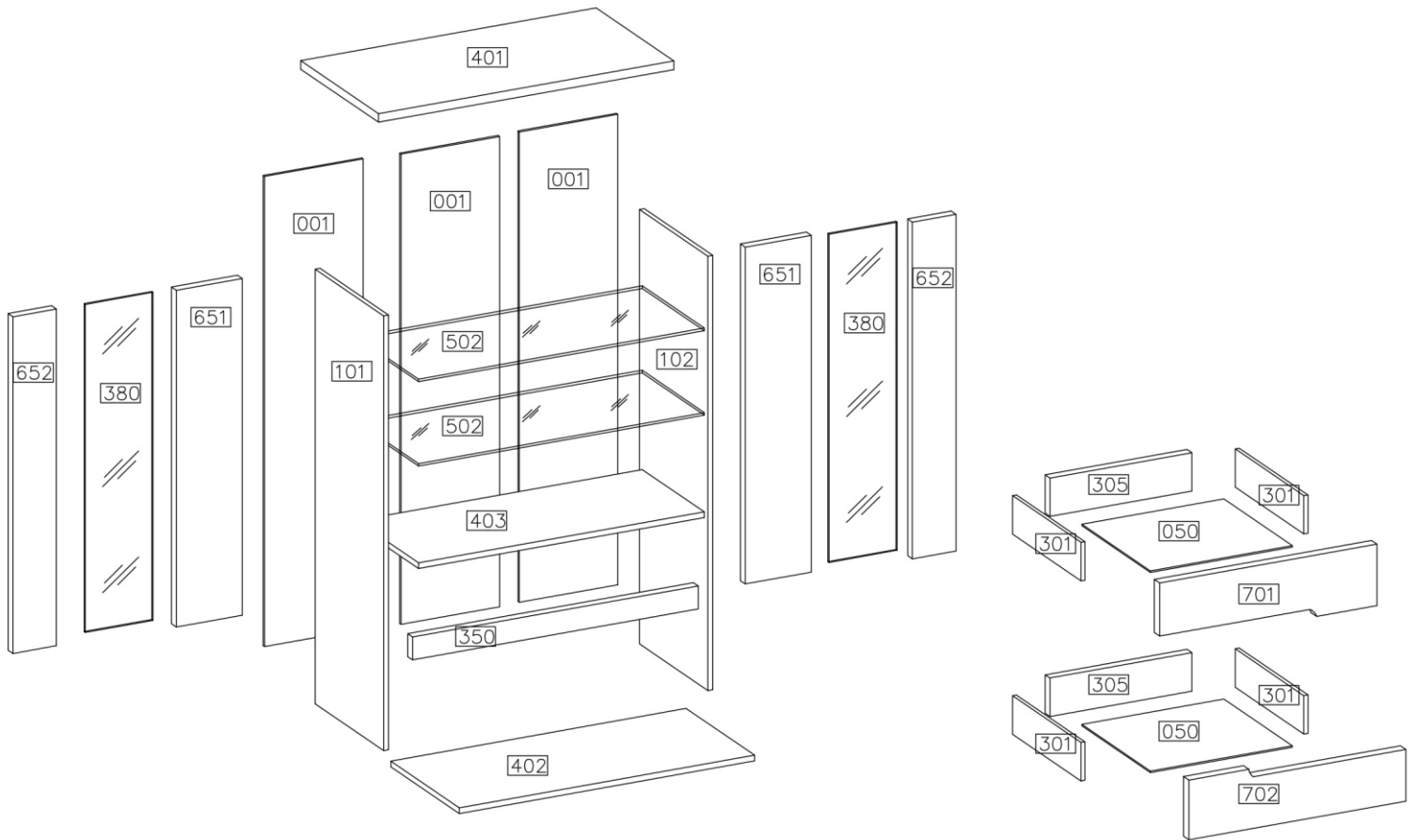


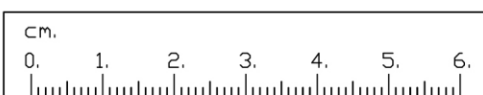
LETYA



#		
1	401	1
2	402	1
3	403	1
4	101	1
5	102	1
6	651	2
7	652	2
8	380	2
9	701	1
10	702	1
11	301	4
12	305	2
13	050	2
14	001	3
15	350	1
16	502	2

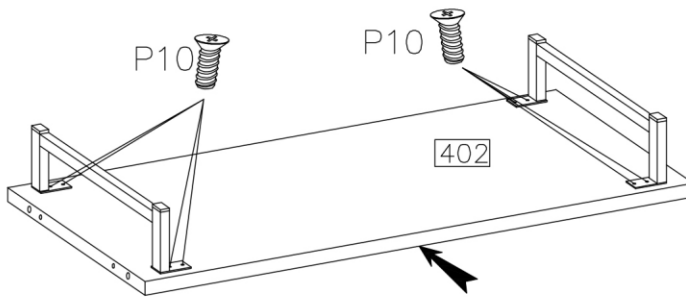


14	14	14	30	4	4	4	32	2	
2KPL	2	12	~26	2	8	2	8	12	12



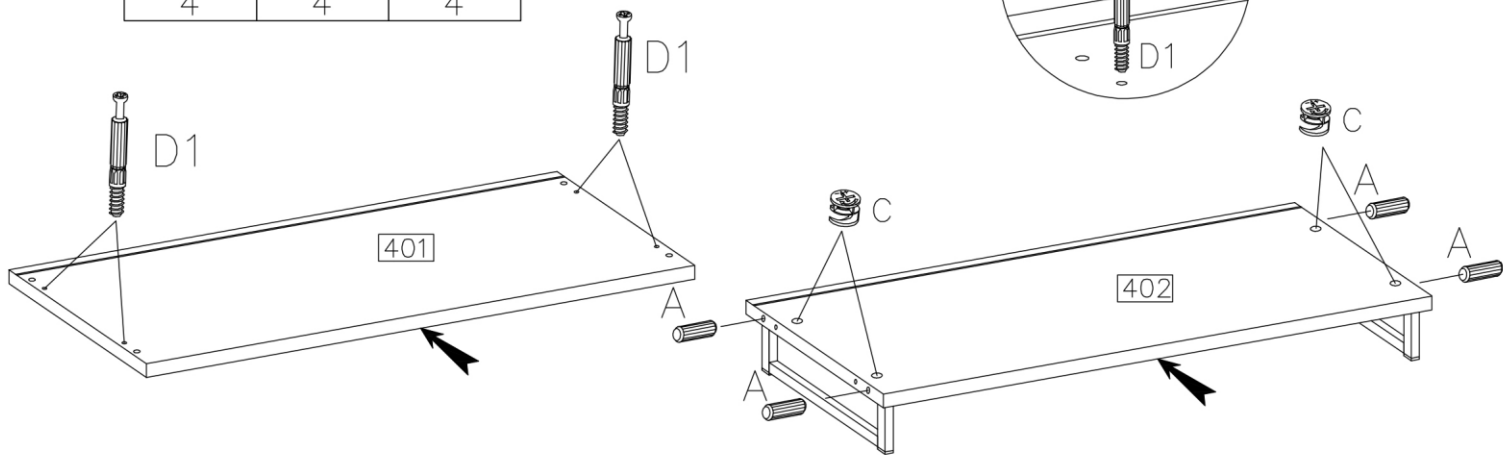
1

	6.3x13mm
F4	P10
2	8



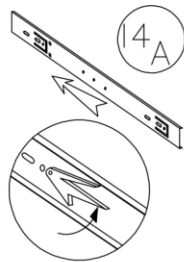
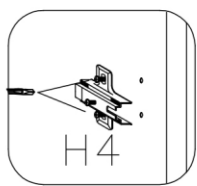
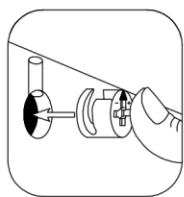
2

	ø8x30mm 	ø15/12mm
D1	A	C
4	4	4

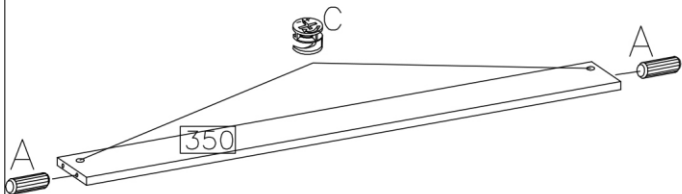
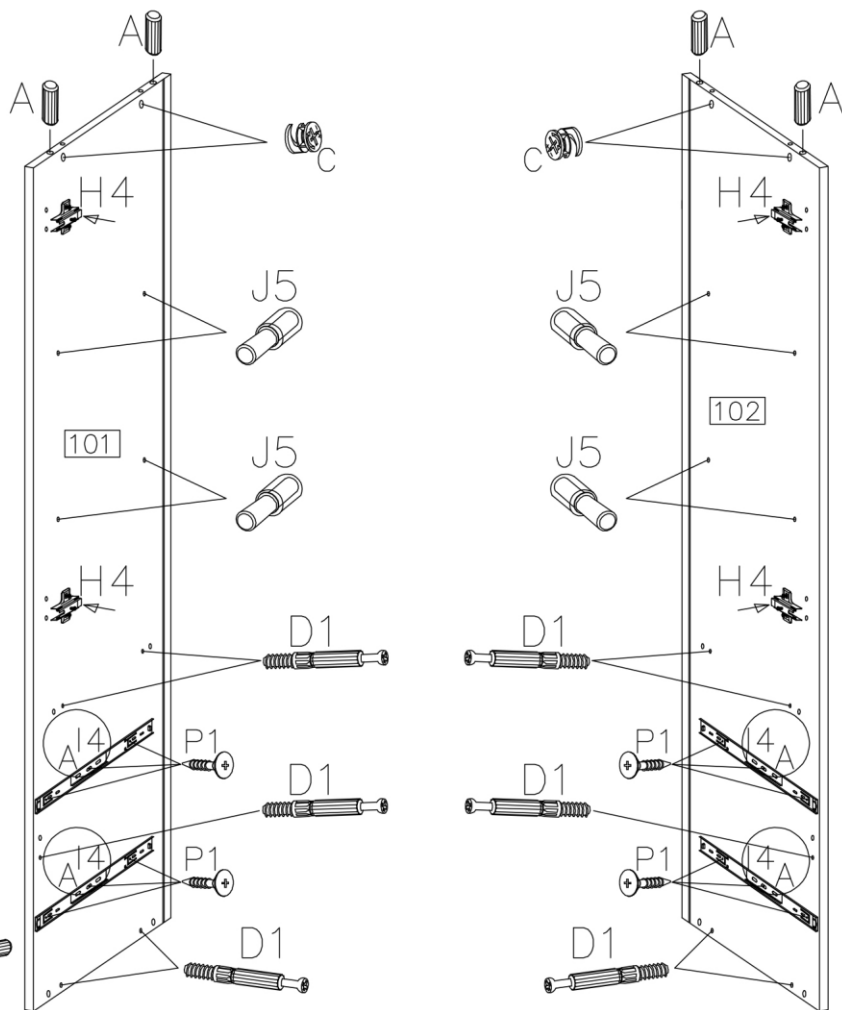


3




H=0 	ø8x30mm 	ø15/12mm 	ø4.0x16mm
H4	A	C	P1
4	6	6	12
D1	14	J5	
10	2KPL	8	

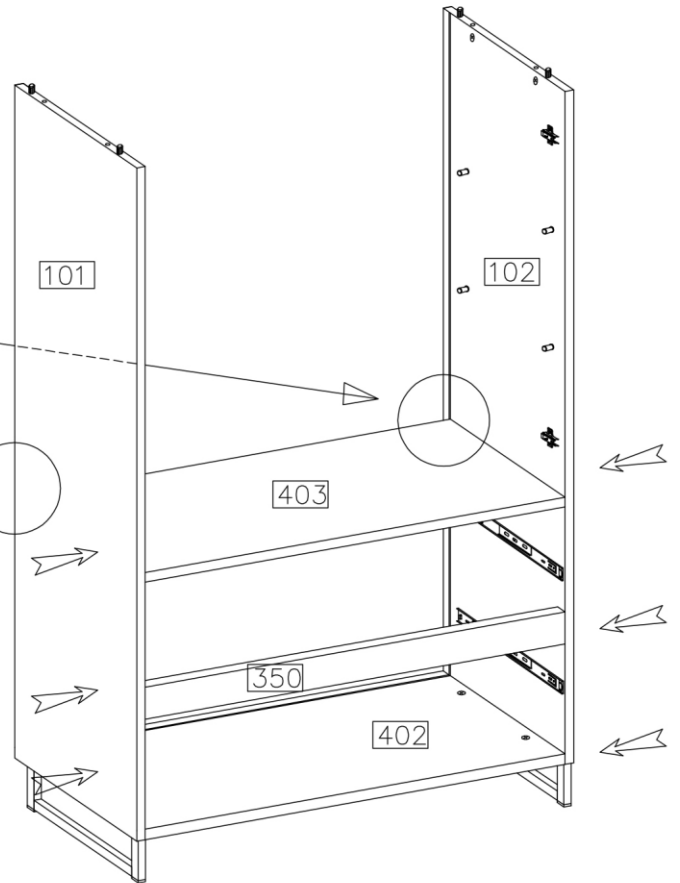
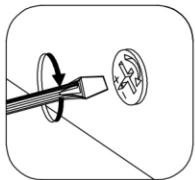
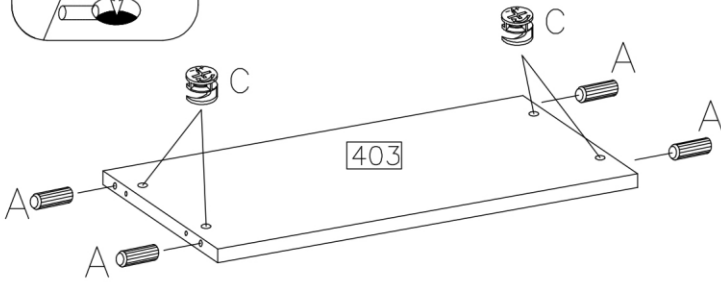
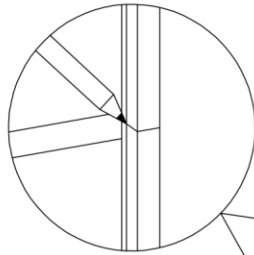
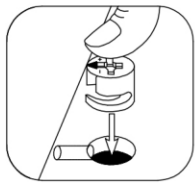


DO KROKU
TO STEP
9





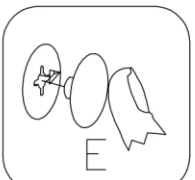
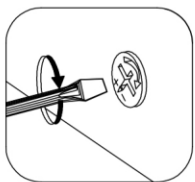
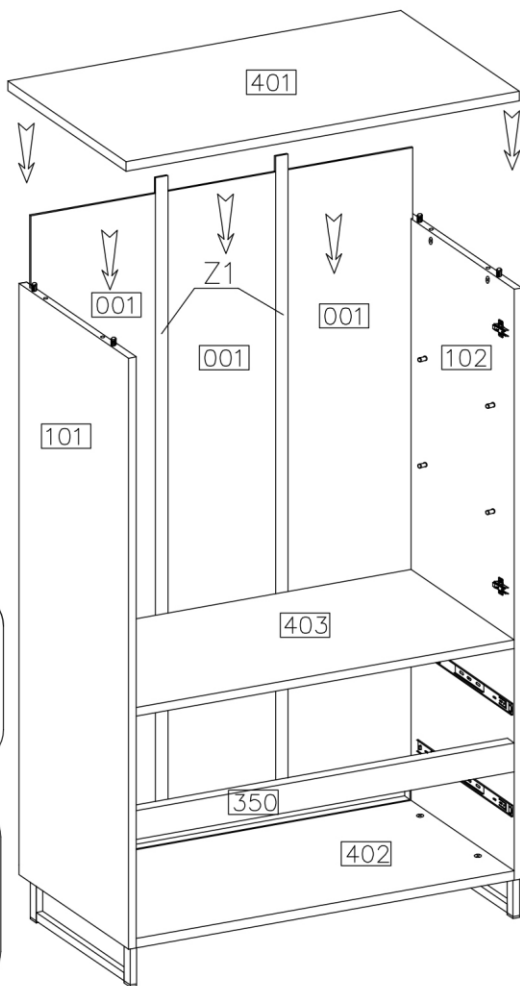
4

		
E	A	C
10	4	4

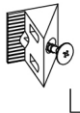



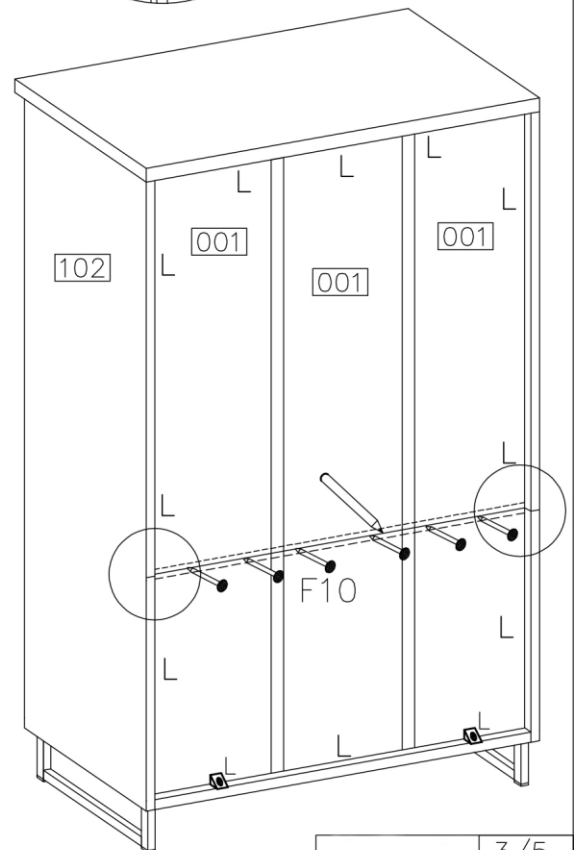
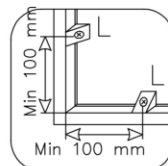
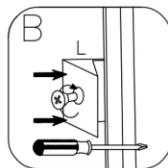
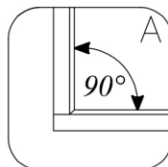
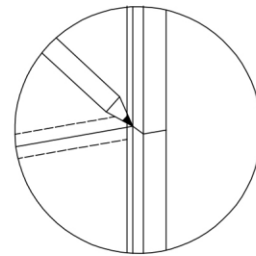
5


E
4

Z1
2

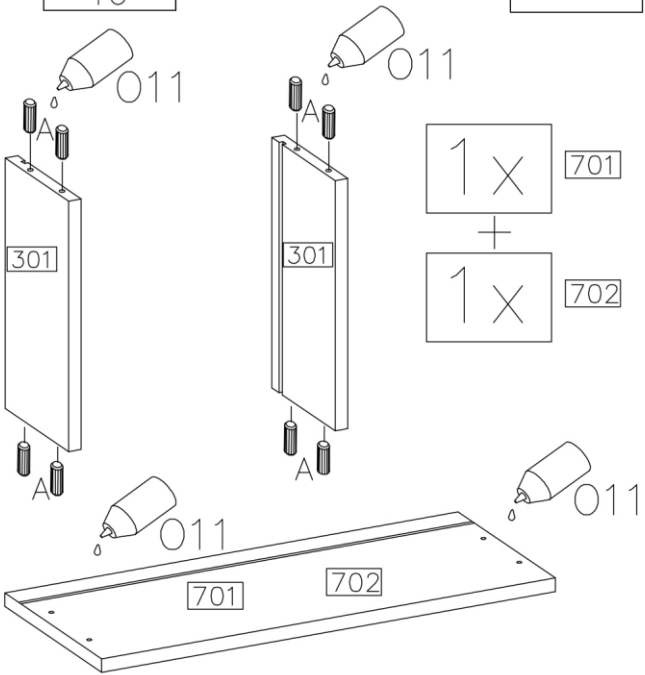
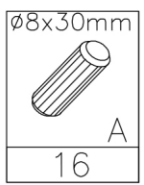


6


L
12

F10
6

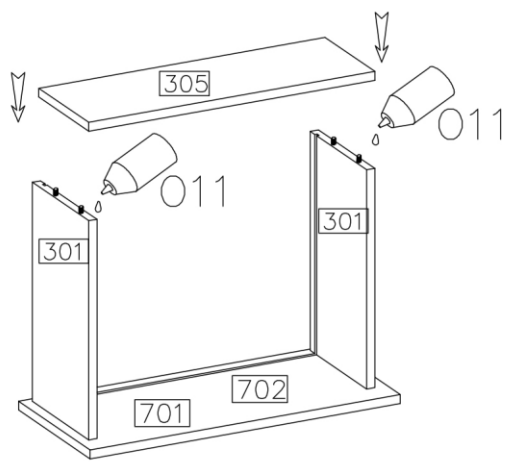
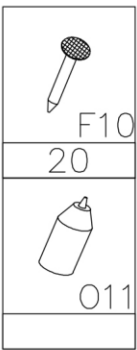


7

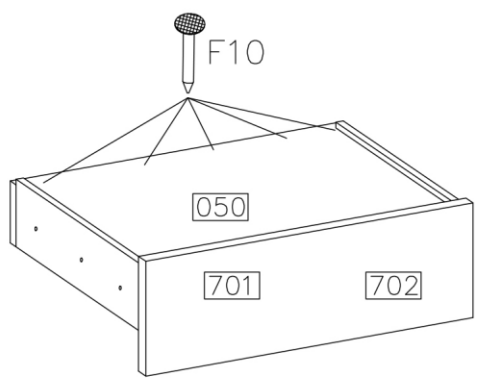


1x 701
+
1x 702

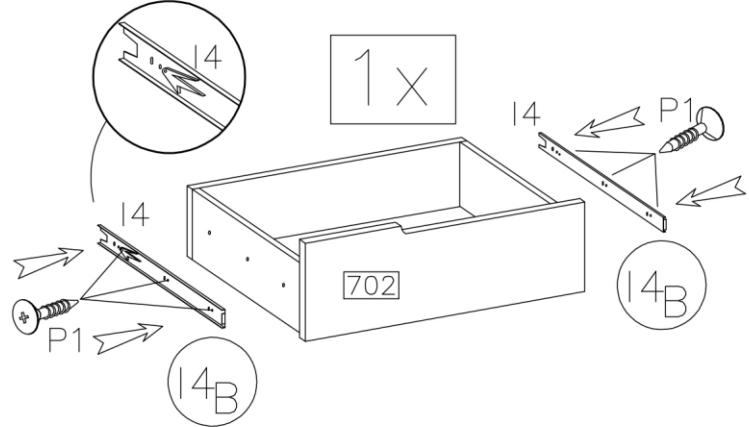
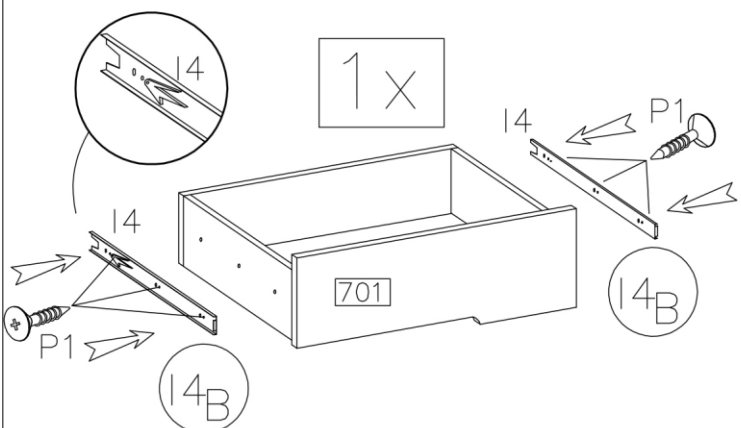
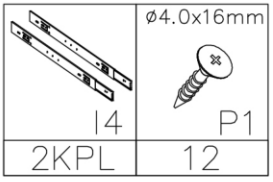
8



1x 701
+
1x 702

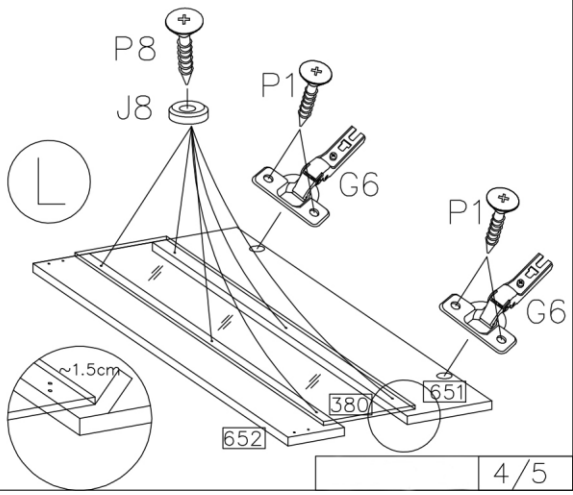
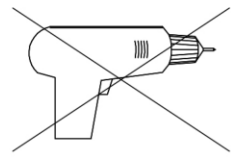
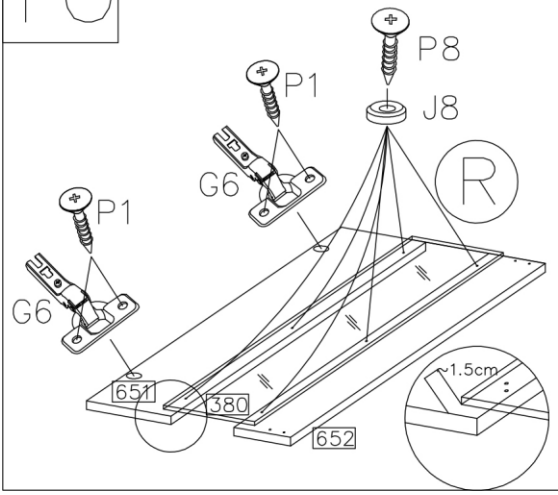


9




	4.0x20mm	ø35/KR-0	ø4.0x16mm
J8	P8	G6	P1
12	12	4	8

10



11

	3.5x13mm
S1	P2
2	4

