

h0@

) - U

-V °

#- U

h0h

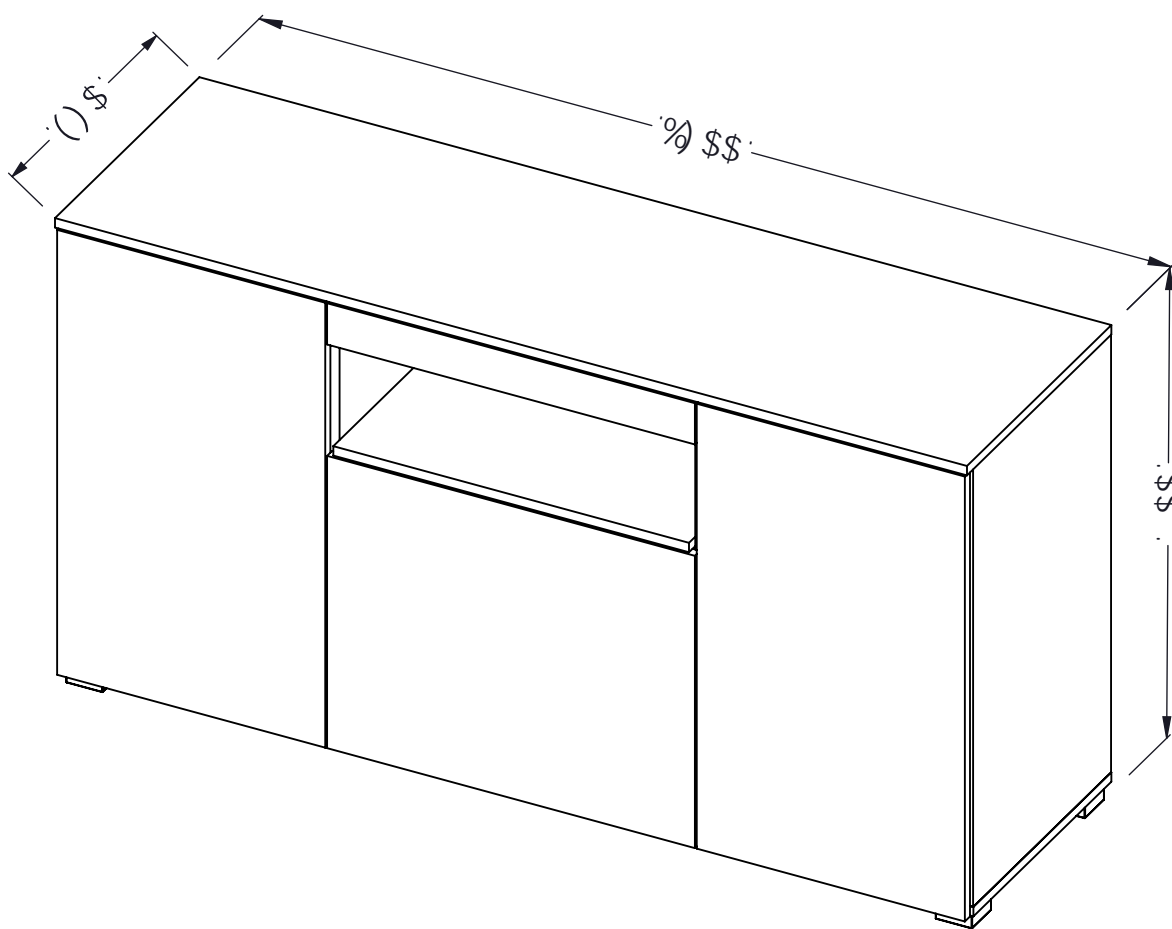
-V "

) - t

#- h

" f y

... ° ® ° ¥ ¢



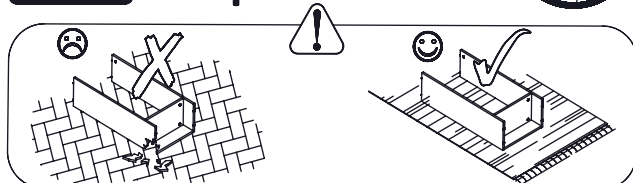
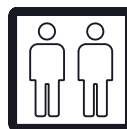
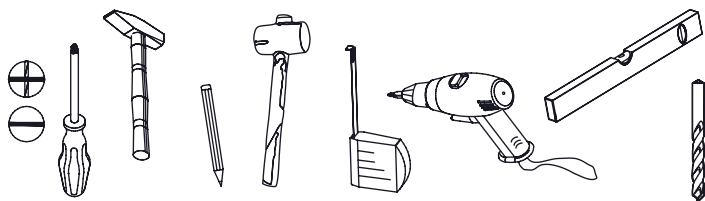
h0V

t

=  
#- V

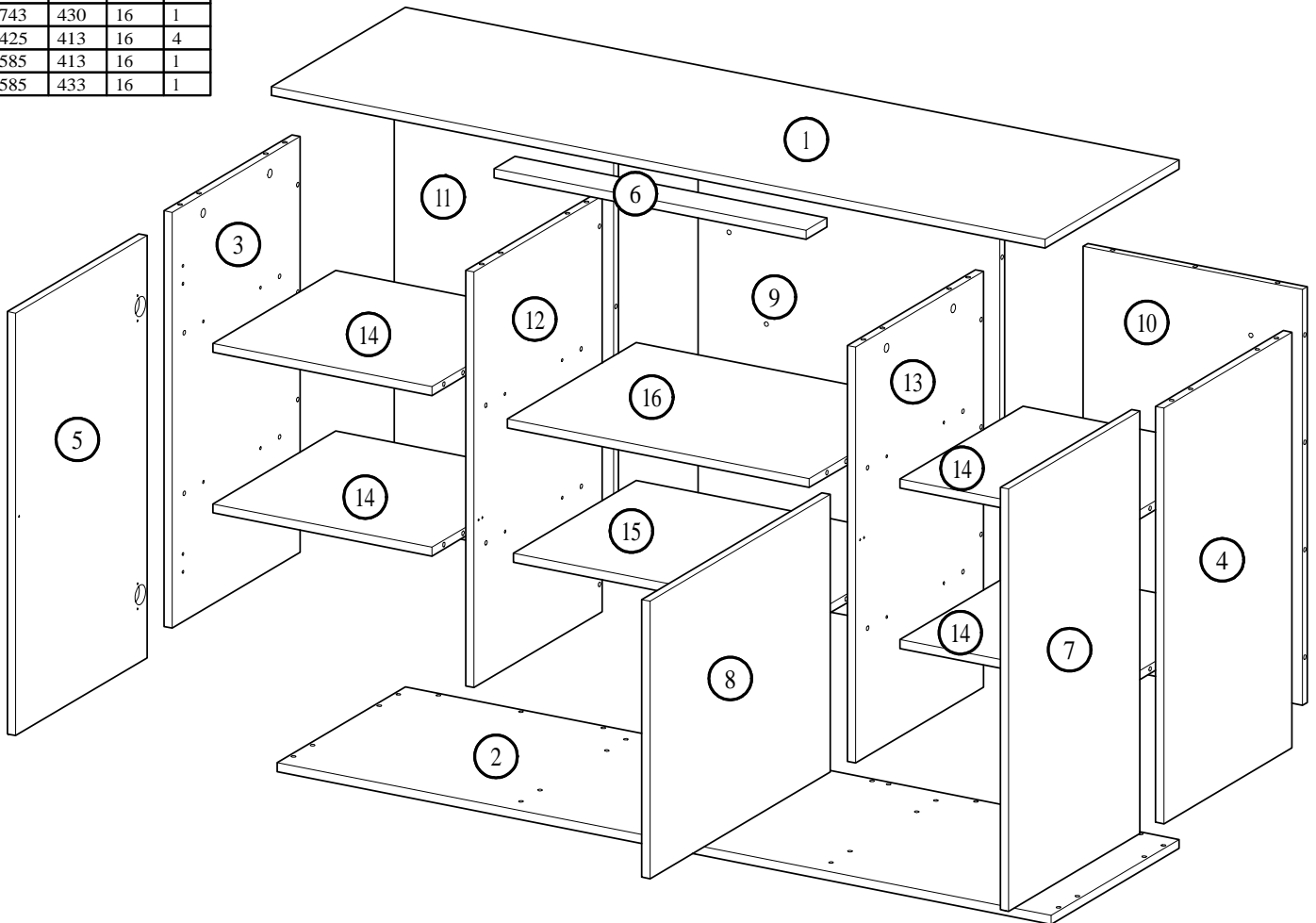
-V u

) - 7 U



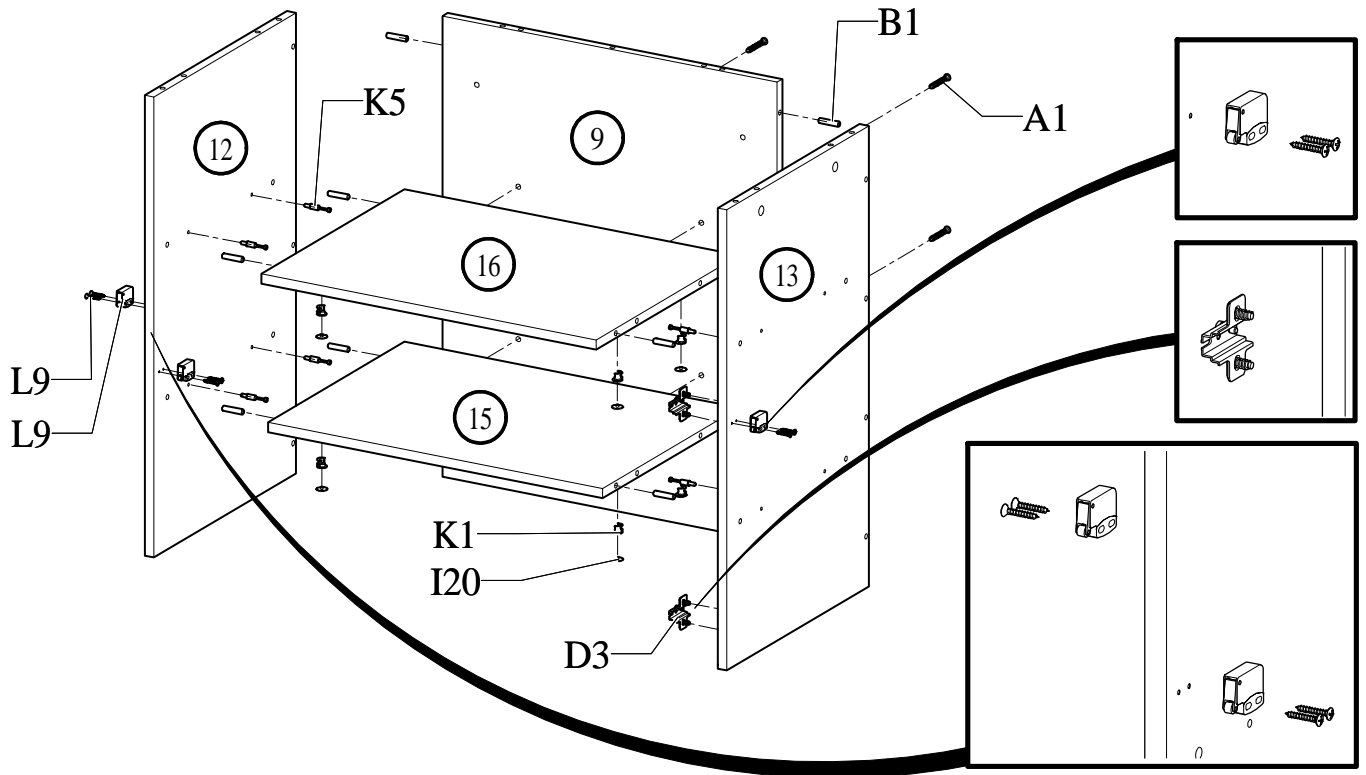


Nr	Xmm	Ymm	Zmm	Szt.
1	1500	450	16	1
2	1500	430	16	1
3	743	430	16	1
4	743	430	16	1
5	441	755	16	1
6	605	70	16	1
7	441	755	16	1
8	605	496	16	1
9	585	743	16	1
10	425	743	16	1
11	425	743	16	1
12	743	430	16	1
13	743	430	16	1
14	425	413	16	4
15	585	413	16	1
16	585	433	16	1

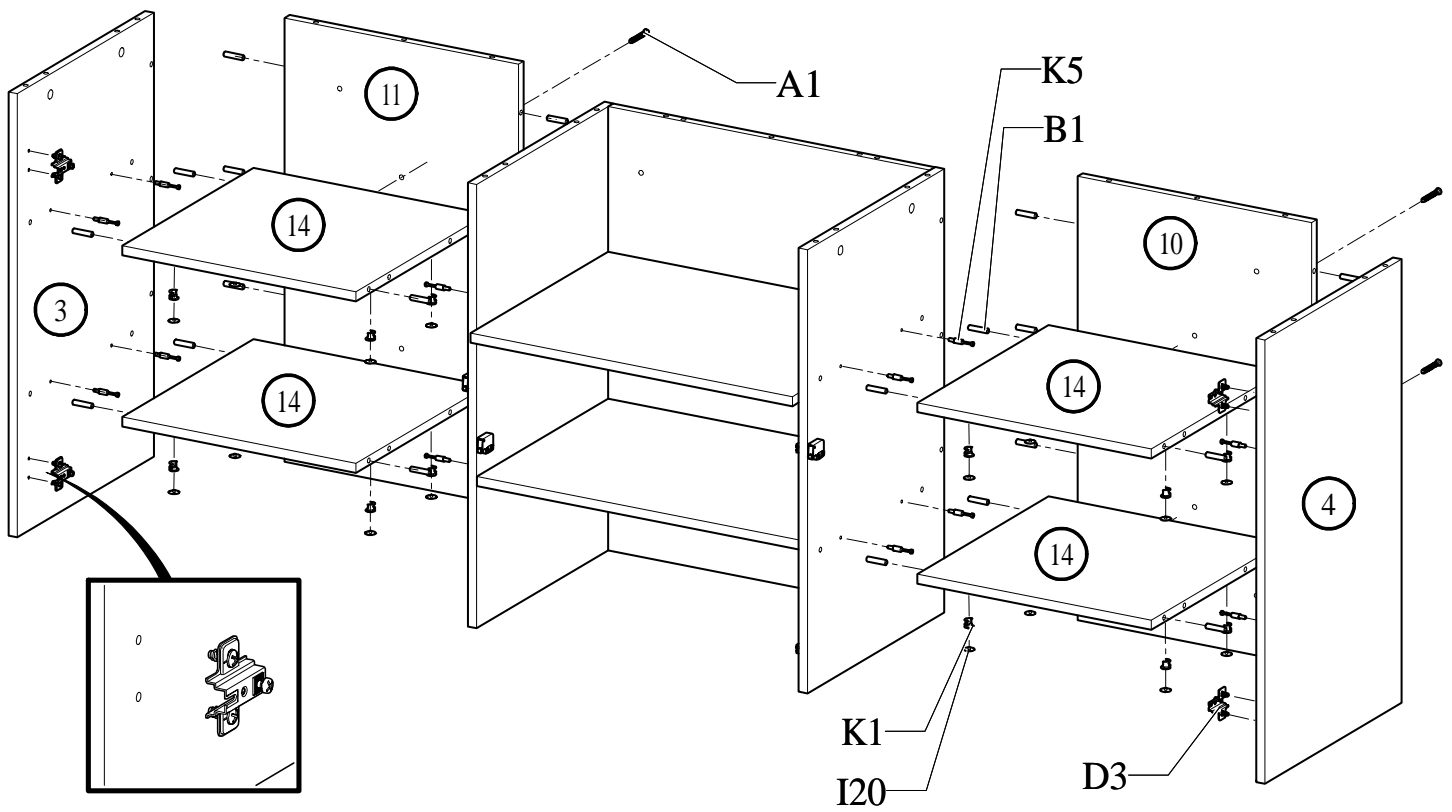


<b>P11</b>  6 x 60x60	<b>G3</b>  12 x 4x30	<b>B1</b>  76 x Ø8x35	<b>U8</b>  8 x Ø10x50	<b>A2</b>  8 x Ø7x70	<b>I12</b>  20 x Ø4/Ø10
<b>W2</b>  1 x 4mm	<b>L9</b>  3 x	<b>A1</b>  20 x Ø7x50	<b>K5</b>  36 x 34mm	<b>K1</b>  36 x Ø15x12	<b>I20</b>  32 x Ø4/Ø17
<b>D3</b>  6 x KLIK	<b>C3</b>  6 x KLIK	<b>G34</b>  16 x 3,5x16	<b>C4</b>  2 x	<b>D4</b>  2 x	

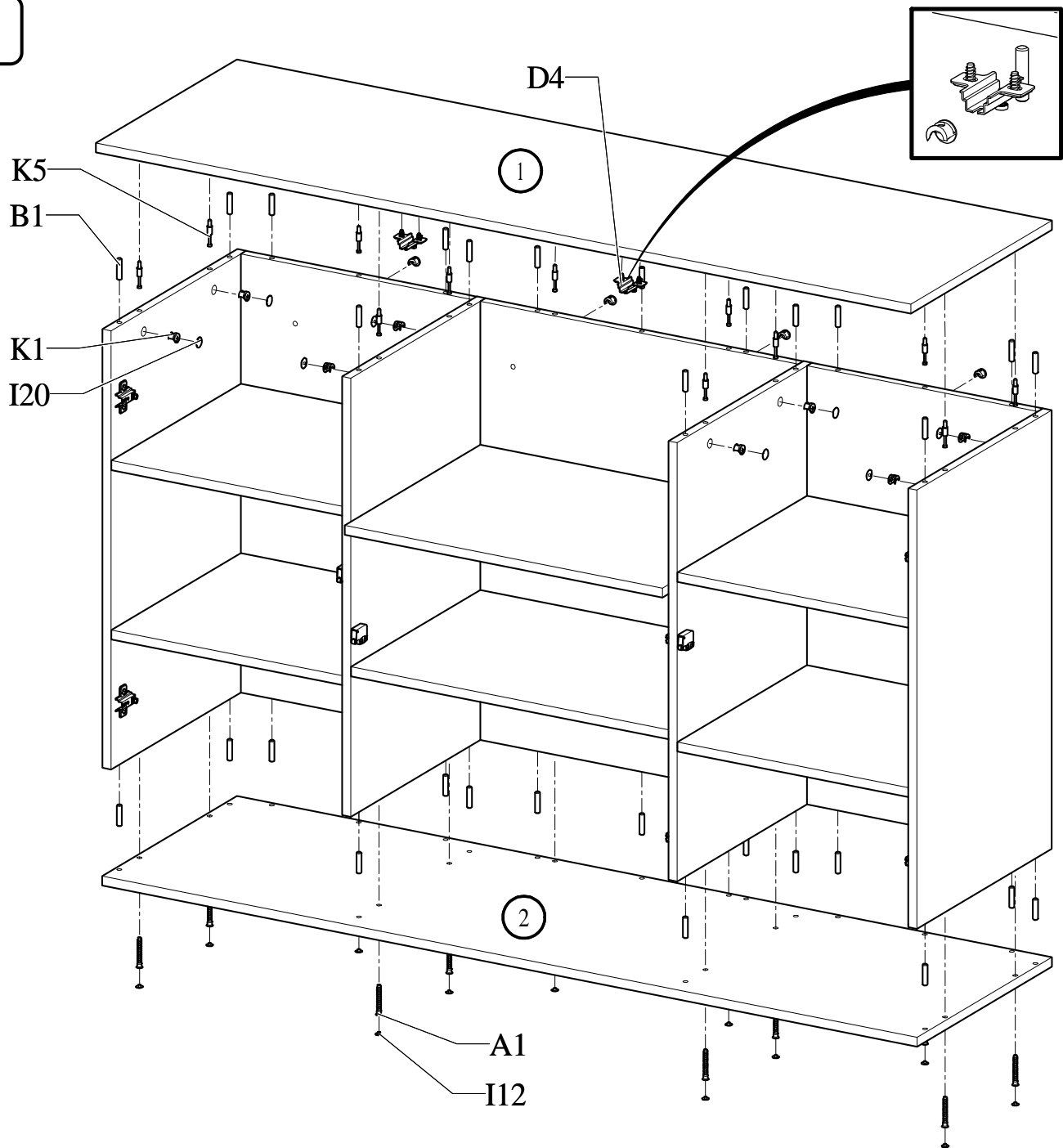
I



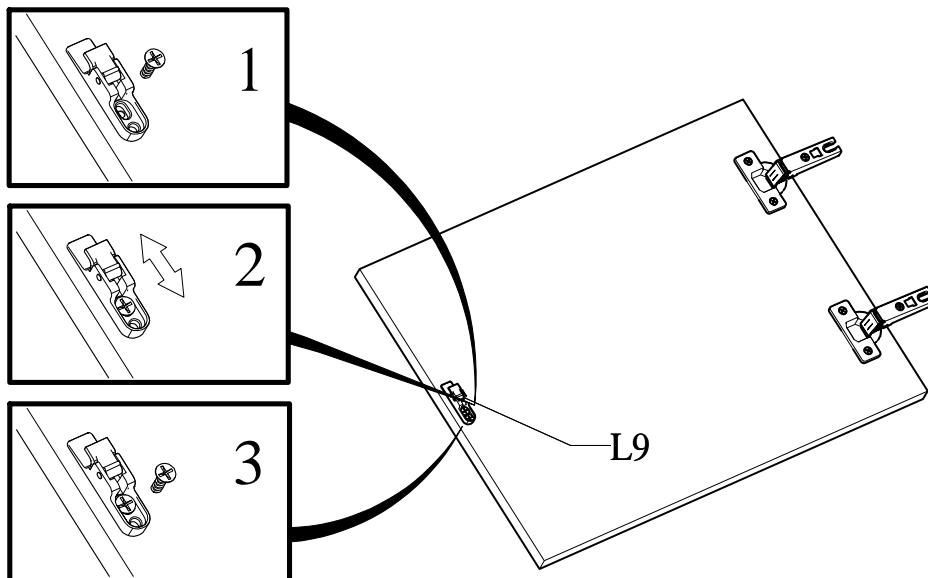
II



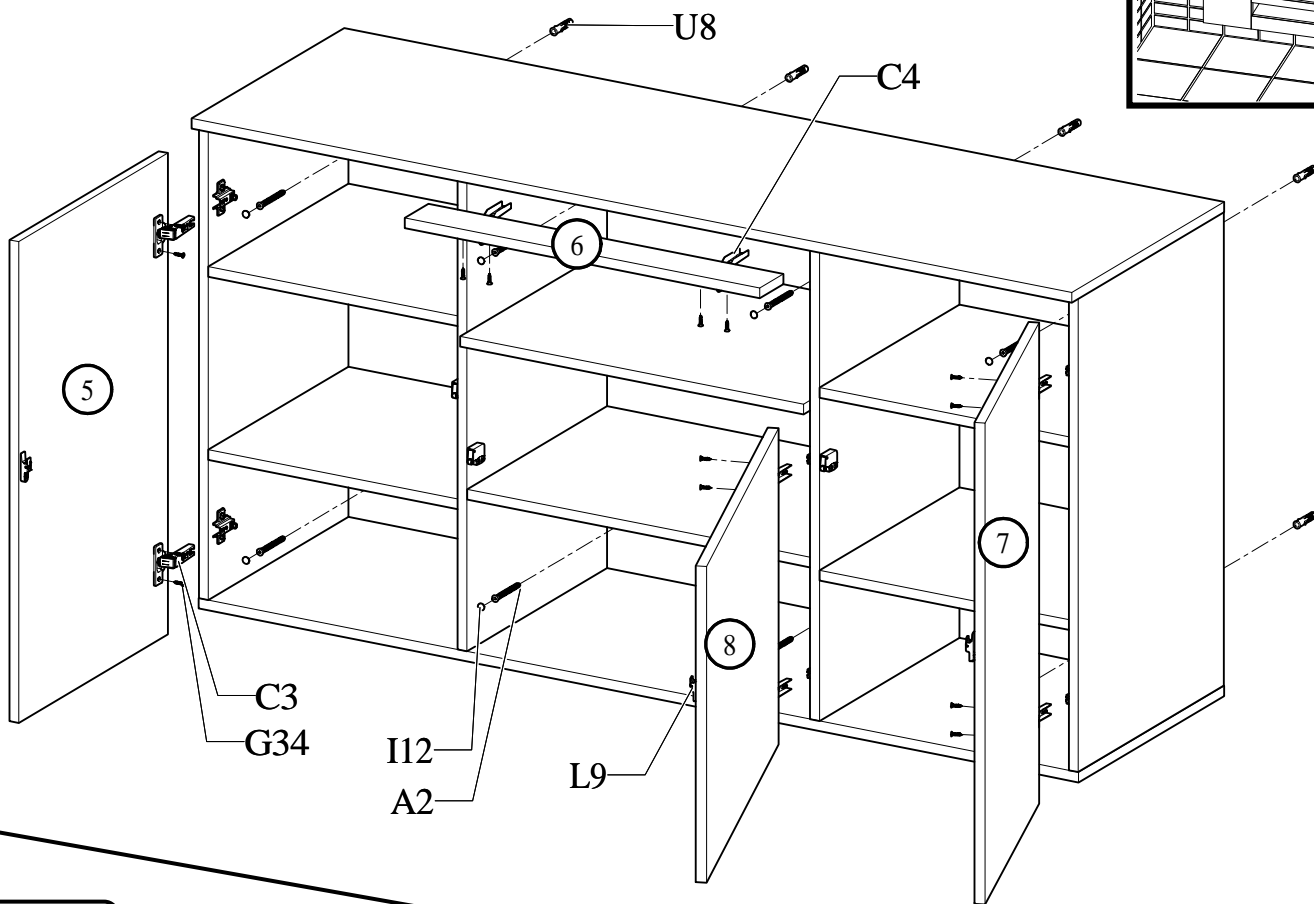
III



IV



V a



V b

