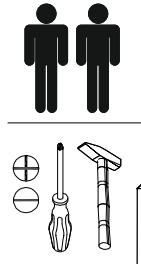
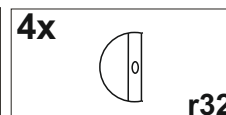
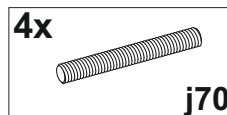
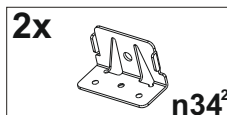
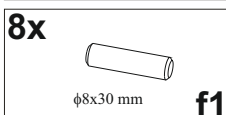
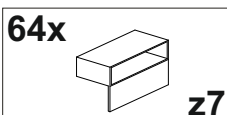
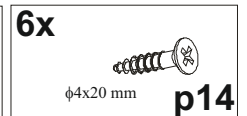
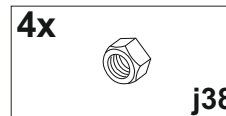
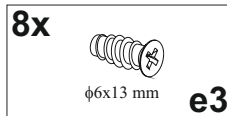
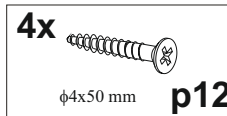
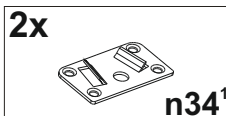
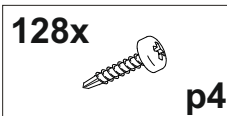
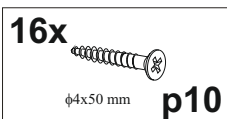
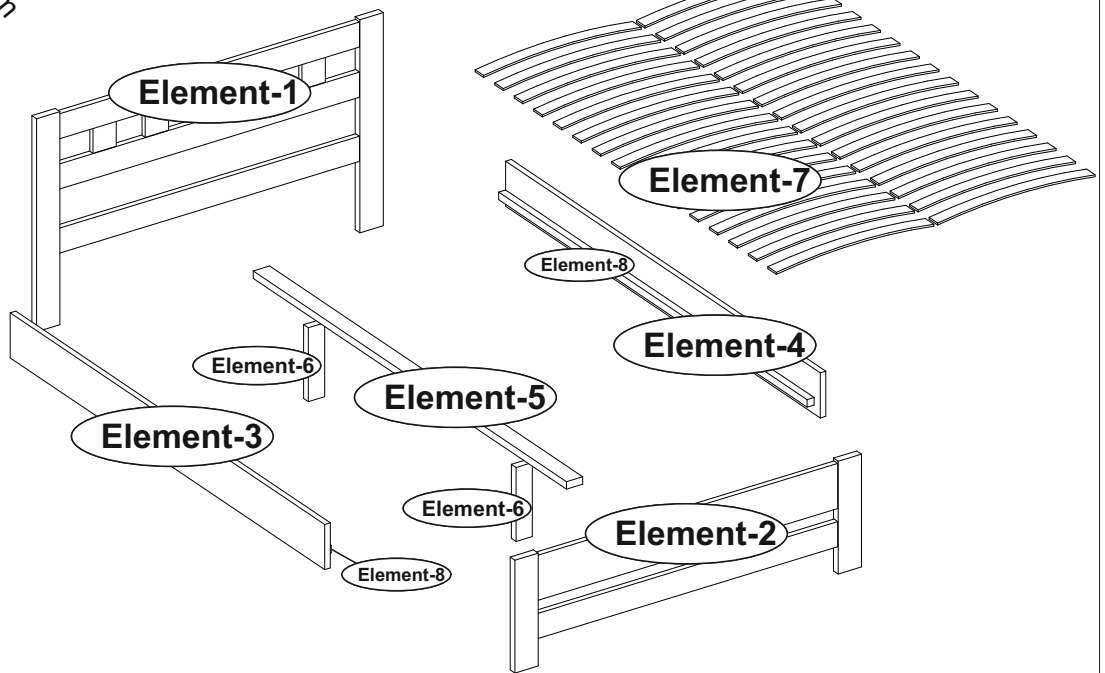
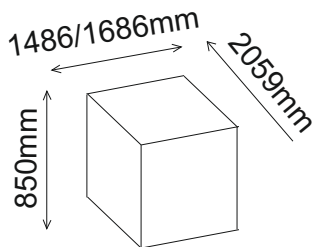
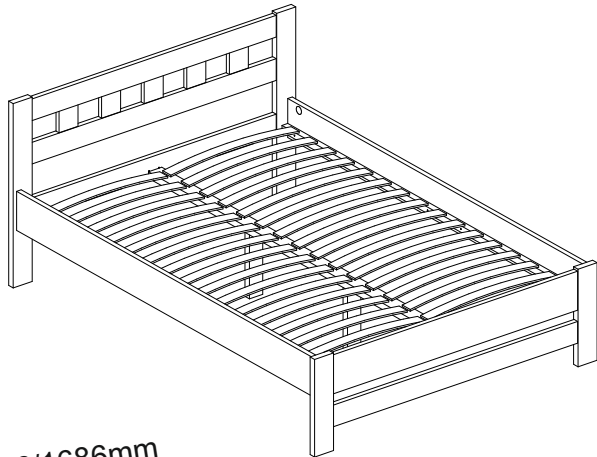


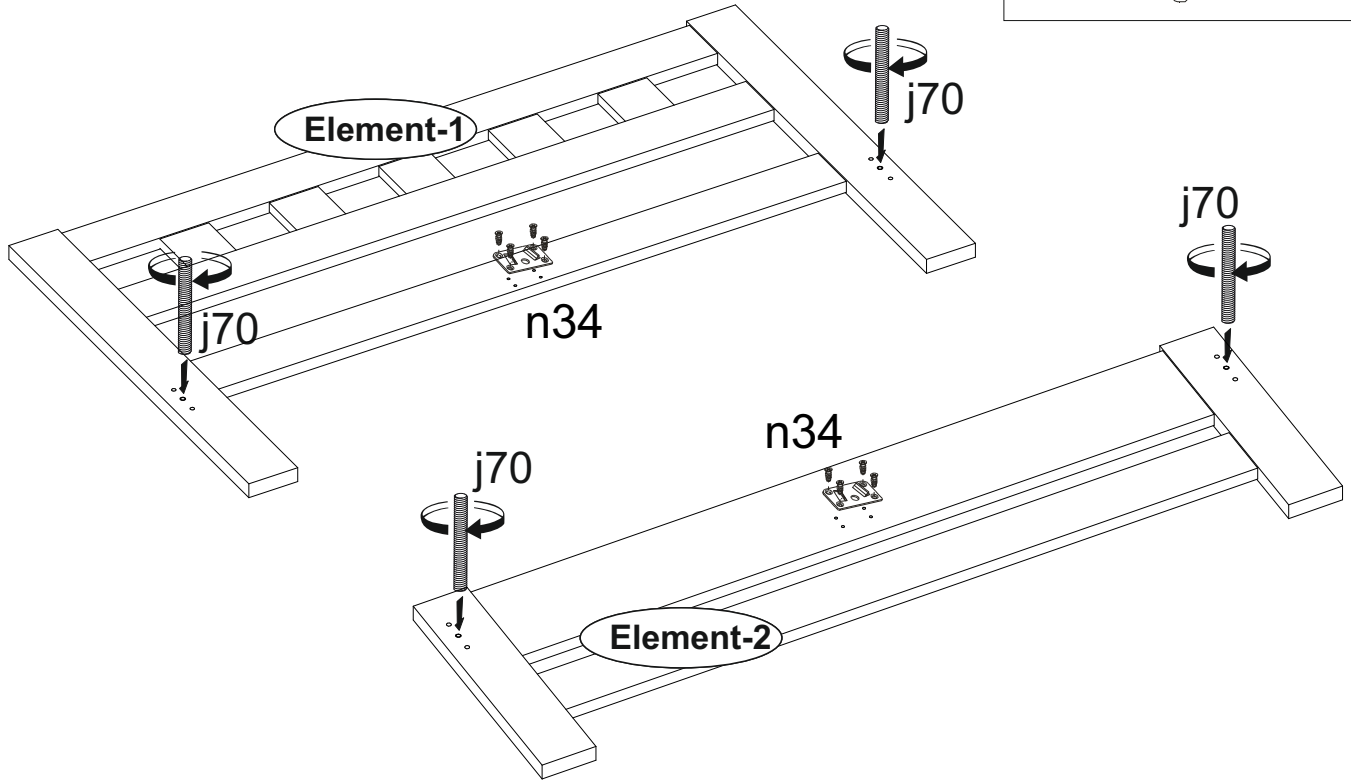
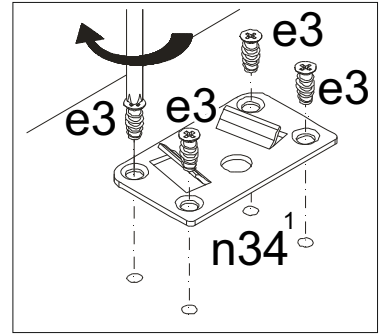
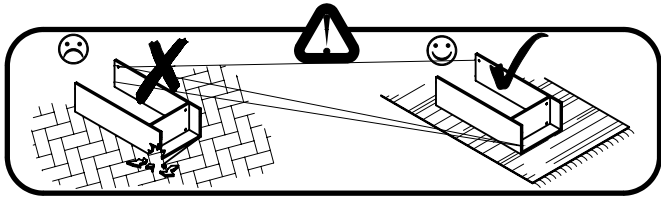
# Bed 140/160



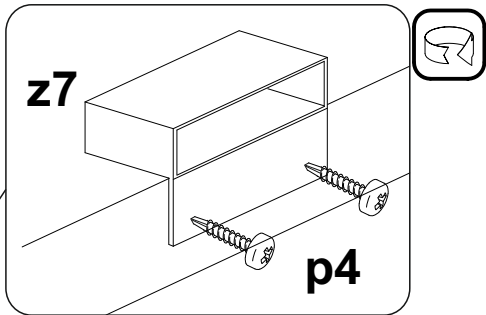
number	Measurements	Pcs.
1	Element-1	1
2	Element-2	1
3	Element-3	1
4	Element-4	1
5	Element-5	1
6	Element-6	2
7	Element-7	32
8	Element-8	2



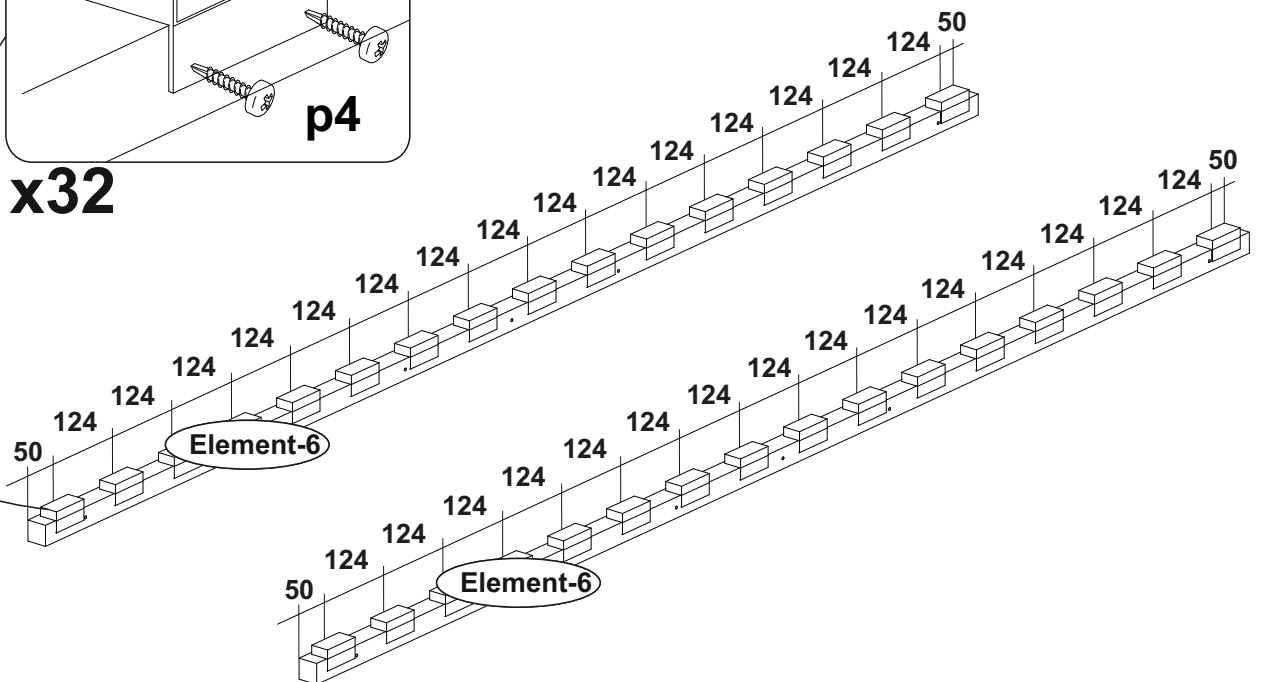
**1**



**2**

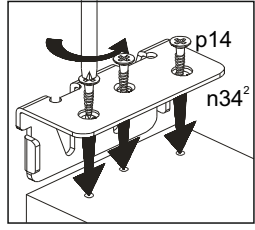
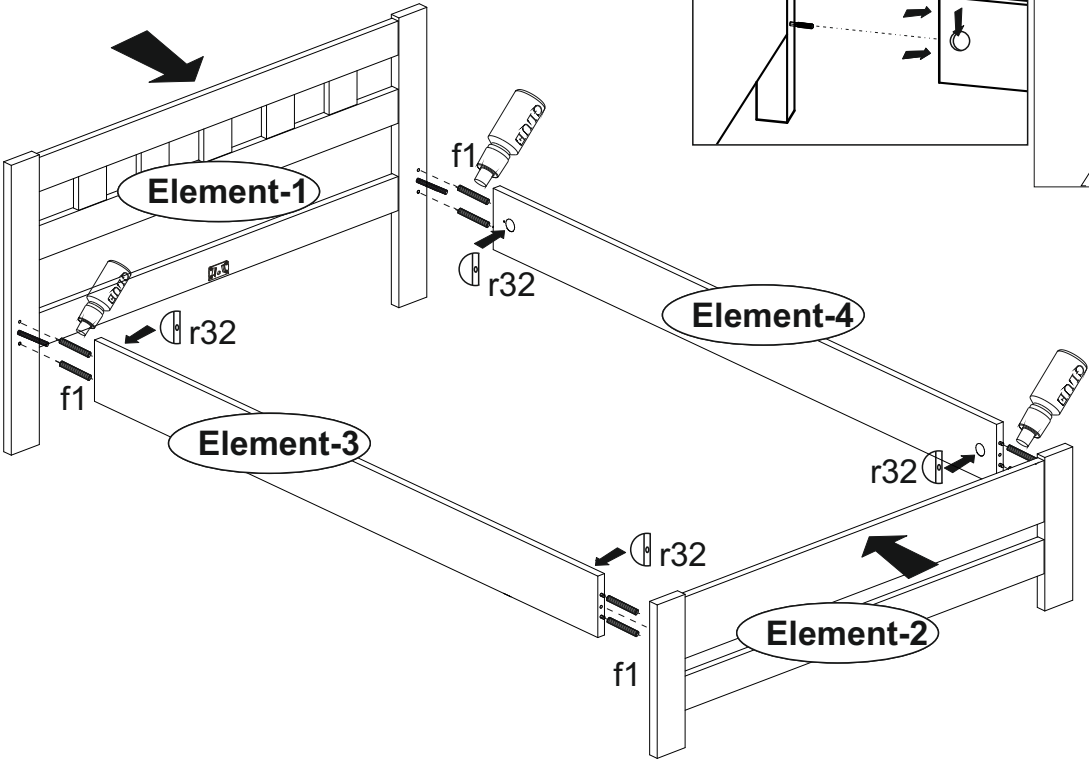
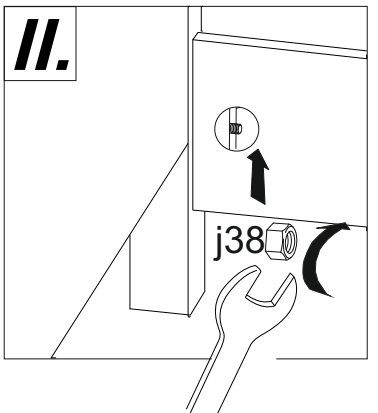
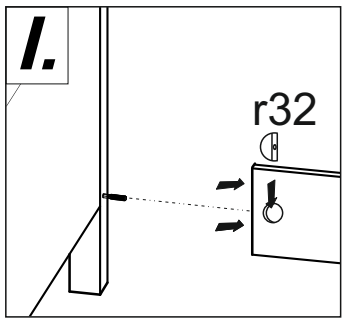


**x32**

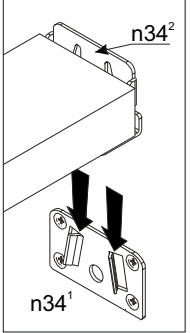
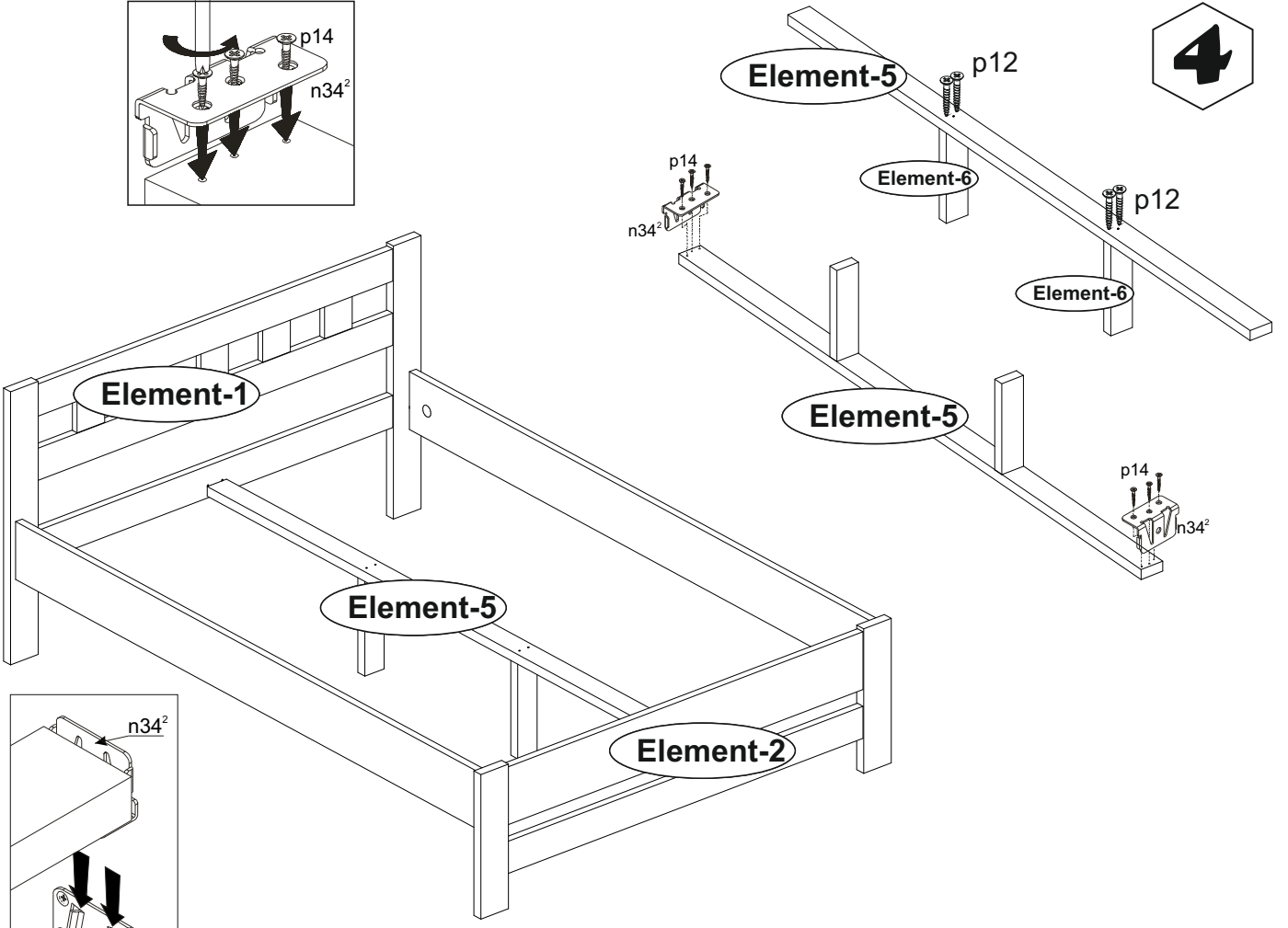


**2**

3

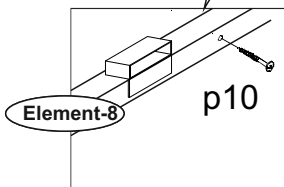
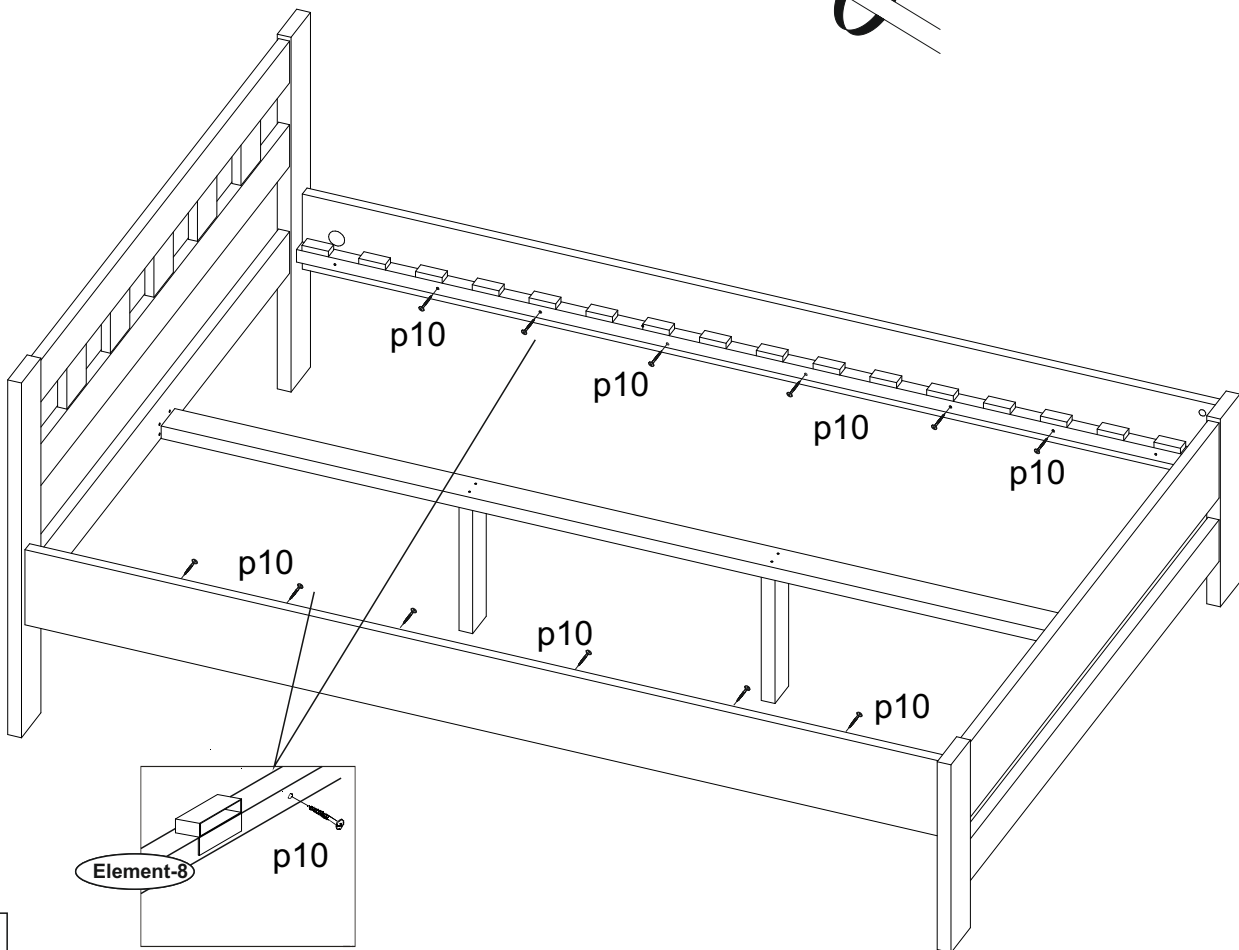
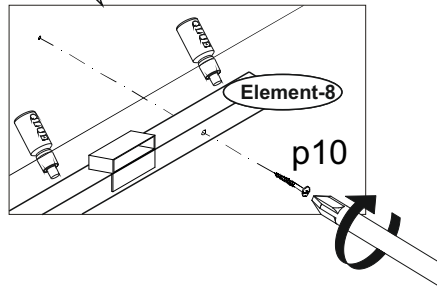
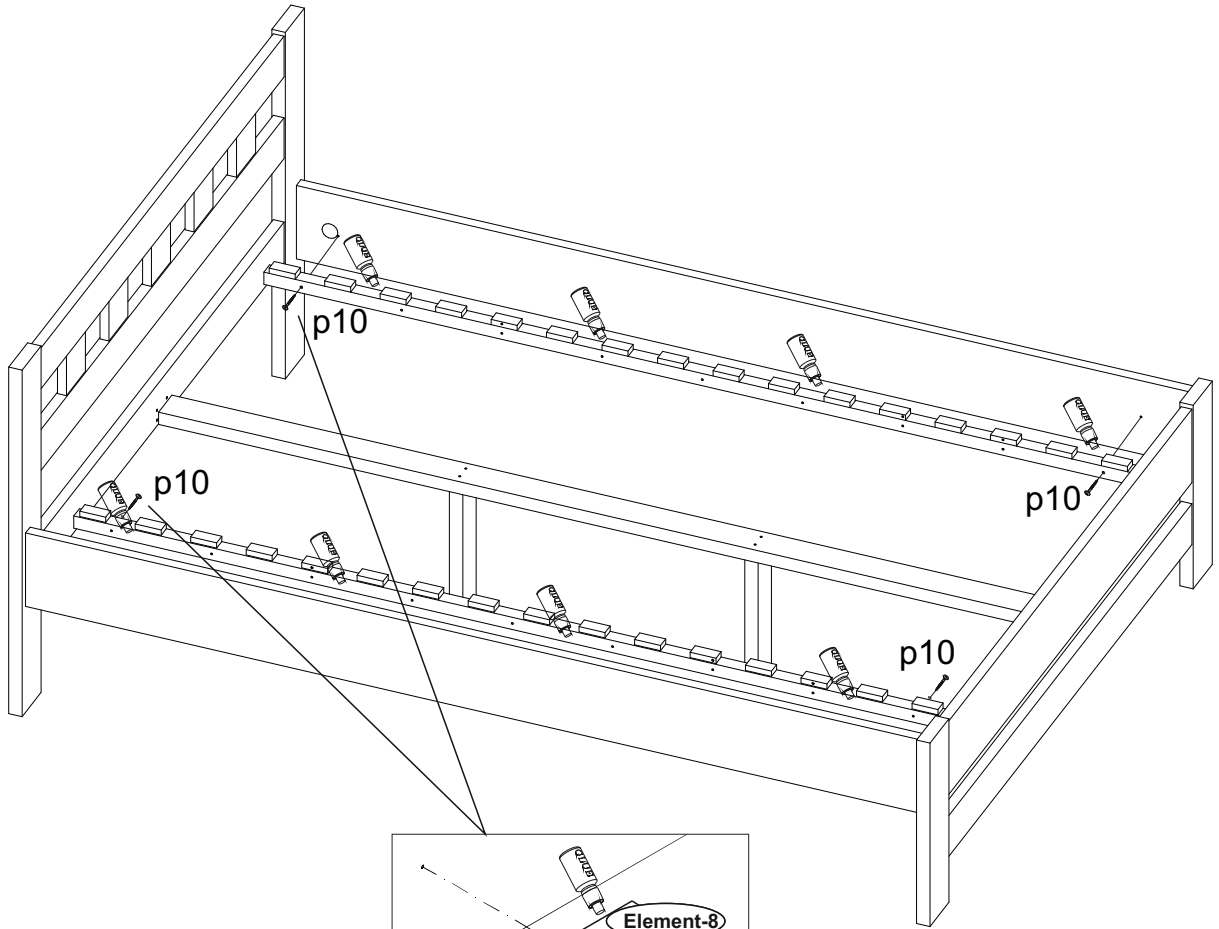


4



3

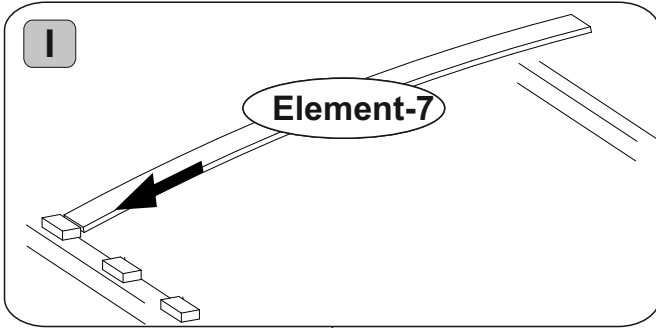
5



4

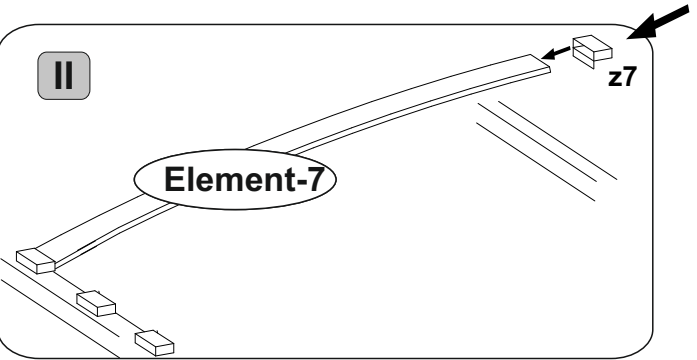
I

Element-7



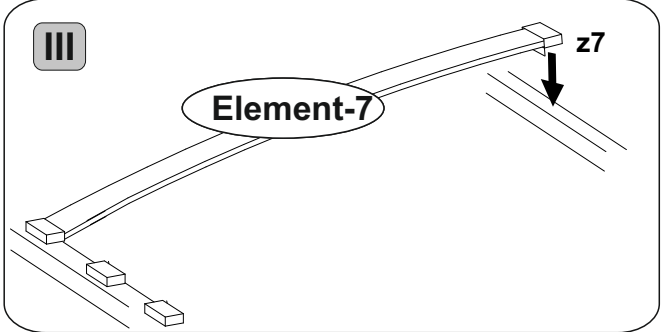
II

Element-7



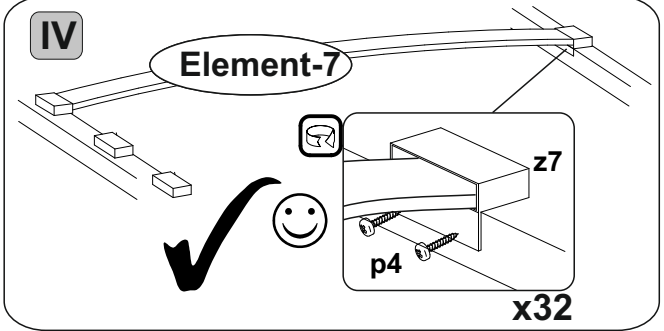
III

Element-7

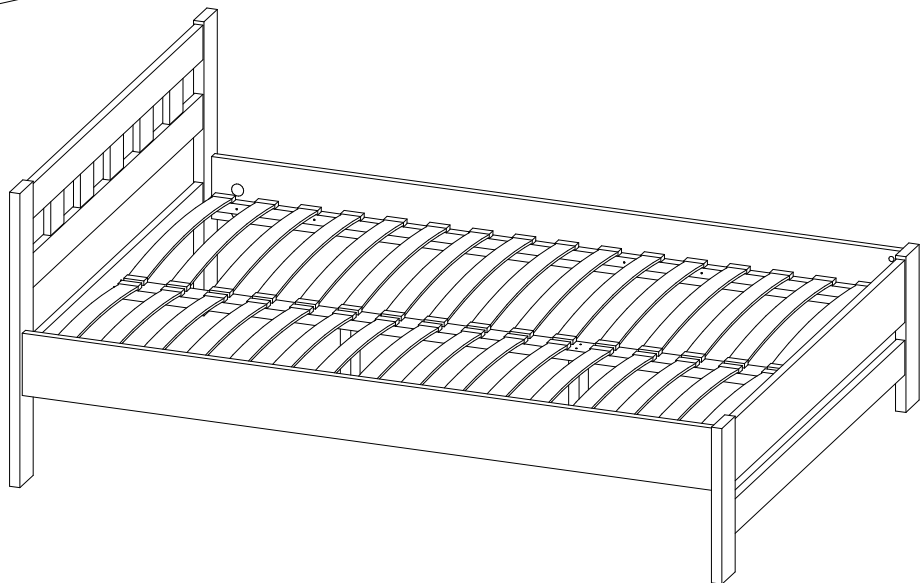
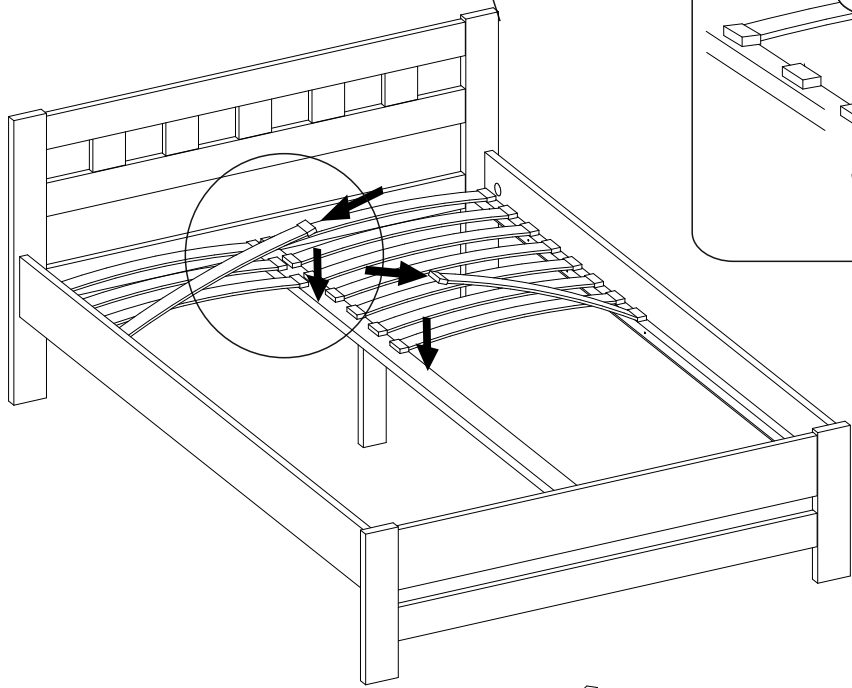


IV

Element-7



6



5