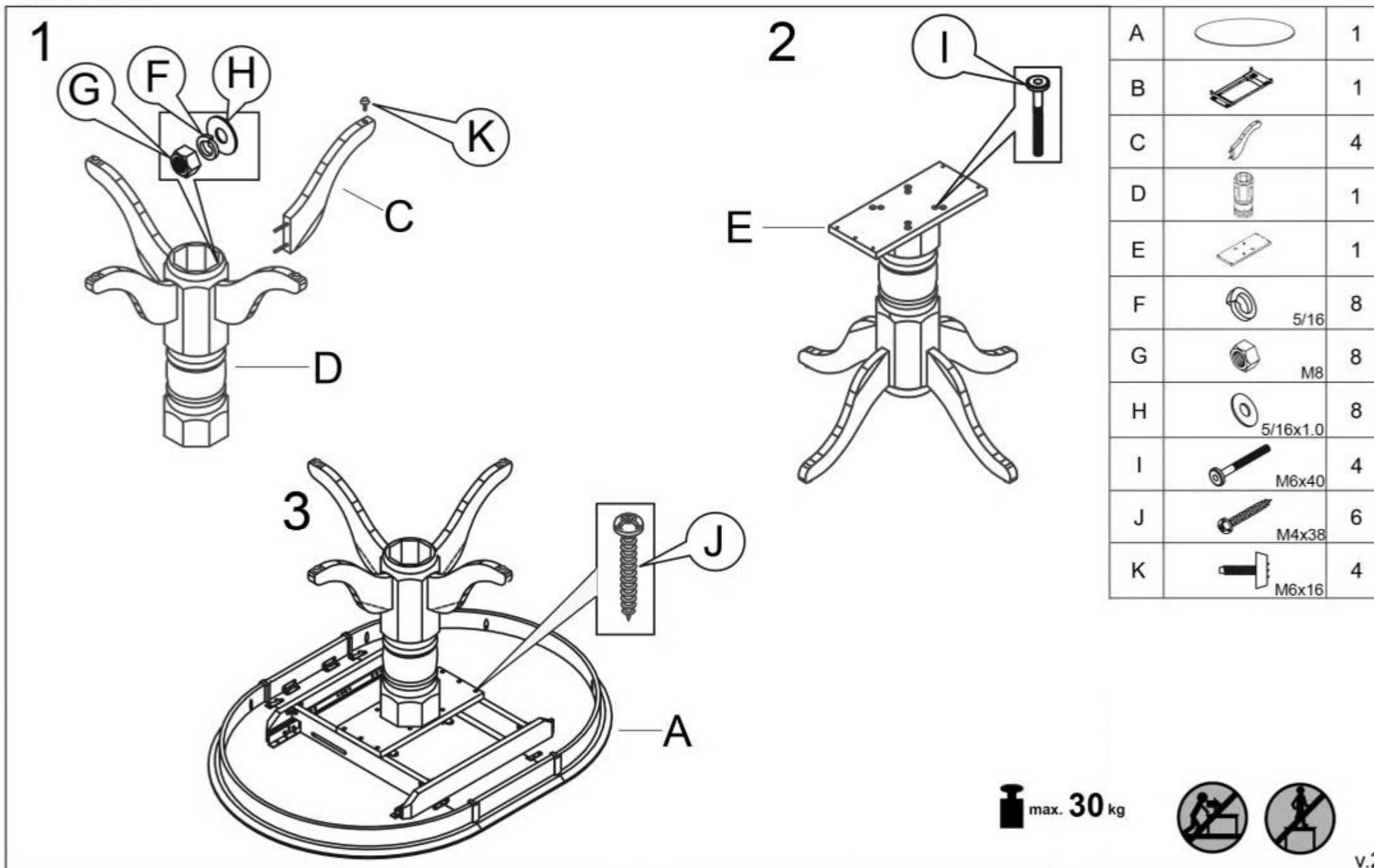


WILLIAM



A		1
B		1
C		4
D		1
E		1
F		8 5/16
G		8 M8
H		8 5/16x1.0
I		4 M6x40
J		6 M4x38
K		4 M6x16

max. 30 kg



v.2